

**EANCOM 2002 Syntax 3**  
**Edition 2016\_Update 2021**

**Banking Status**  
**(BANSTA)**

|                         |     |
|-------------------------|-----|
| Introduction.....       | 2   |
| Branching Diagram ..... | 3   |
| Message Structure.....  | 7   |
| Segmentlayout.....      | 8   |
| Codes .....             | 38  |
| Example.....            | 198 |

## Einführung

---

### Introduction

The following message specification is based on the publication of the "Banking Status Message" of GS1 Global in syntax 3.

#### Status

MESSAGE TYPE: BANSTA  
REFERENCE DIRECTORY: D.01B  
EANCOM® SUBSET VERSION: 003

#### Definition

A Banking Status message is sent by a financial institution to its customer providing status information on financial transactions at an application level.

#### Principles

A Banking Status message must always refer to a specific previously sent message.

A Banking Status message may cover the response given to any previously sent message, such as a commercial or payment instruction, a request for information, etc..

This message provides a means to report on errors and inconsistencies found in the original message at application level.

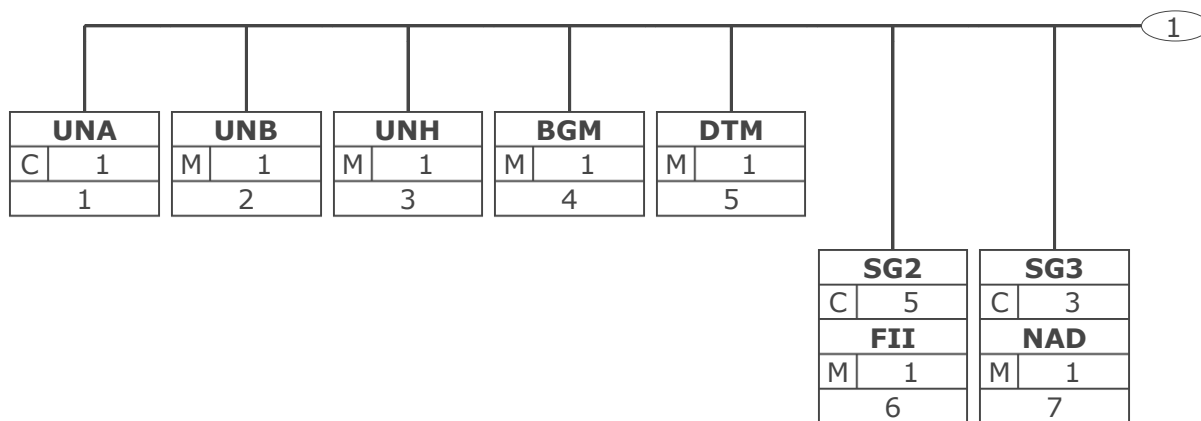
The Banking Status message is not intended to report on syntactical errors or to provide a non-repudiation response.

The message may provide status information about execution on original multi-instruction messages such as the Multiple Payment Order message (PAYMUL) in a positive and/or negative way.

**The banking status message is a multiple message and is structured in three levels:**

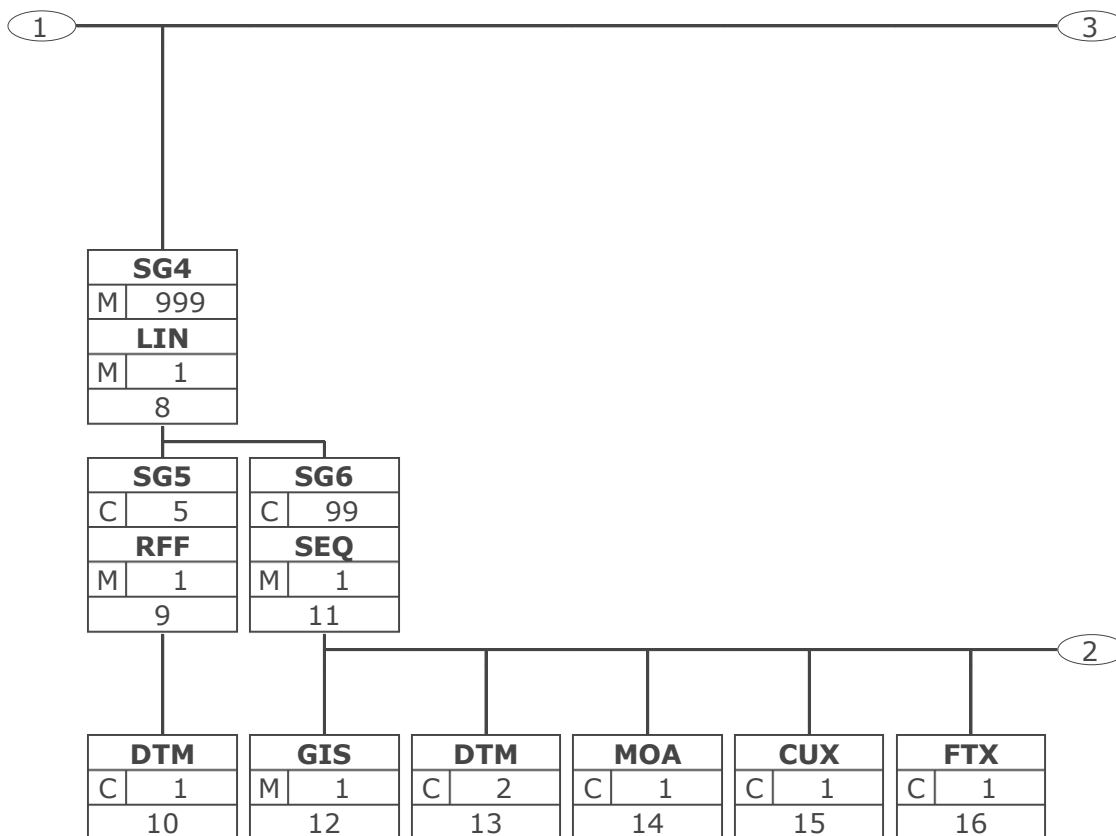
- Level A contains routing criteria for the banking status message.
- Level B contains exact references for each message or transaction to be reported.
- Level C contains status information related to a message or transaction.

### Branching Diagram



|     |   |  |
|-----|---|--|
| Tag | Tag = Segment/Group Tag   |  |
| St  | MaxOcc  | St = Status (M=Mandatory, C=Conditional, R=Required, O=Optional, A=Advised, D=Dependent) |
| No  | MaxOcc = Maximum occurrence of the segment/group; No = Consecutive segment number |  |

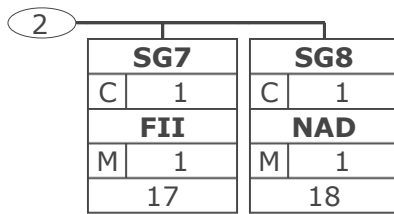
## Branching Diagram



|     |   |
|-----|---|
| Tag | Tag = Segment/Group Tag   |
| St  | MaxOcc St = Status (M=Mandatory, C=Conditional, R=Required, O=Optional, A=Advised, D=Dependent) |
| No  | MaxOcc = Maximum occurrence of the segment/group; No = Consecutive segment number               |

## Branching Diagram

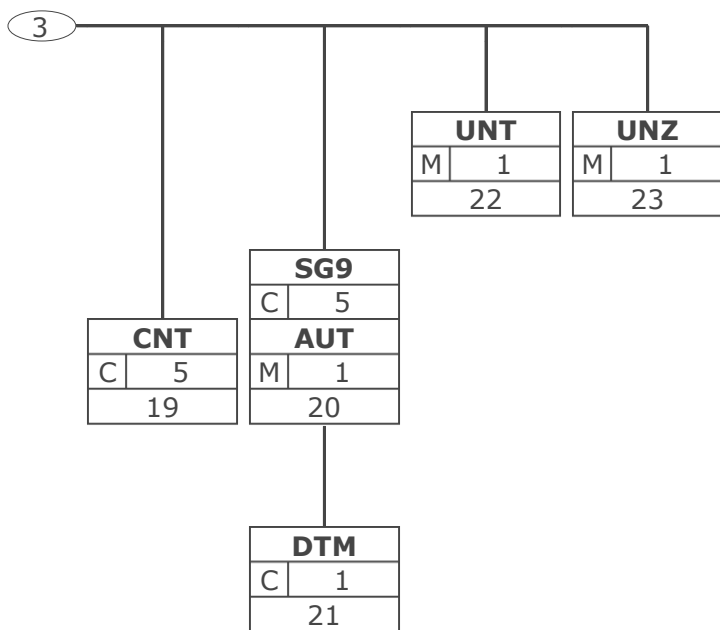
---



|             |  |
|-------------|--|
| Tag         | Tag = Segment/Group Tag  |
| St   MaxOcc | St = Status (M=Mandatory, C=Conditional, R=Required, O=Optional, A=Advised, D=Dependent) |
| No          | MaxOcc = Maximum occurrence of the segment/group; No = Consecutive segment number        |

## Branching Diagram

---



|             |  |
|-------------|--|
| Tag         | Tag = Segment/Group Tag  |
| St   MaxOcc | St = Status (M=Mandatory, C=Conditional, R=Required, O=Optional, A=Advised, D=Dependent) |
| No          | MaxOcc = Maximum occurrence of the segment/group; No = Consecutive segment number        |

**Message Structure**

| Seg.                                     | No. | Status | Max Occ | Segment                           |
|--|-----|--------|---------|-----------------------------------|
| UNA                                      | 1   | C      | 1       | Service string advice             |
| UNB                                      | 2   | M      | 1       | Interchange header                |
| <b>Banking Status Heading Section</b>    |     |        |         |                                   |
| UNH                                      | 3   | M      | 1       | Message header                    |
| BGM                                      | 4   | M      | 1       | Beginning of message              |
| DTM                                      | 5   | M      | 1       | Date/time/period                  |
| SG2                                      |     | C      | 5       | FII                               |
| FII                                      | 6   | M      | 1       | Financial institution information |
| SG3                                      |     | C      | 3       | NAD                               |
| NAD                                      | 7   | M      | 1       | Name and address                  |
| <b>Banking Status Detail Section - B</b> |     |        |         |                                   |
| SG4                                      |     | M      | 999     | LIN-SG5-SG6                       |
| LIN                                      | 8   | M      | 1       | Line item                         |
| SG5                                      |     | C      | 5       | RFF-DTM                           |
| RFF                                      | 9   | M      | 1       | Reference                         |
| DTM                                      | 10  | C      | 1       | Date/time/period                  |
| <b>Banking Status Detail Section - C</b> |     |        |         |                                   |
| SG6                                      |     | C      | 99      | SEQ-GIS-DTM-MOA-CUX-FTX-SG7-SG8   |
| SEQ                                      | 11  | M      | 1       | Sequence details                  |
| GIS                                      | 12  | M      | 1       | General indicator                 |
| DTM                                      | 13  | C      | 2       | Date/time/period                  |
| MOA                                      | 14  | C      | 1       | Monetary amount                   |
| CUX                                      | 15  | C      | 1       | Currencies                        |
| FTX                                      | 16  | C      | 1       | Free text                         |
| SG7                                      |     | C      | 1       | FII                               |
| FII                                      | 17  | M      | 1       | Financial institution information |
| SG8                                      |     | C      | 1       | NAD                               |
| NAD                                      | 18  | M      | 1       | Name and address                  |
| CNT                                      | 19  | C      | 5       | Control total                     |
| SG9                                      |     | C      | 5       | AUT-DTM                           |
| AUT                                      | 20  | M      | 1       | Authentication result             |
| DTM                                      | 21  | C      | 1       | Date/time/period                  |
| <b>Banking Status Summary Section</b>    |     |        |         |                                   |
| UNT                                      | 22  | M      | 1       | Message trailer                   |
| UNZ                                      | 23  | M      | 1       | Interchange trailer               |

Max. Occ. = Maximum occurrence of the segment/group, Status: M=Mandatory, C=Conditional, R=Required, O=Optional, A=Advised, D=Dependent

## Segment Layout

| No. Seg   | St         | Max. Occ.                        |  |    |   |  |
|---|------------|----------------------------------|--|----|---|--|
| 1   | <b>UNA</b> | C 1                              | Service string advice<br>To define the characters selected for use as delimiters and indicators in the rest of the interchange that follows. |    |   |  |
| Business Term   | DE         | EDIFACT                          | Format   | St | * | Description  |
|   | UNA1       | Component data element separator | an1  | M  | * | Used as a separator between component data elements contained within a composite data element (default value: ":") |
|   | UNA2       | Data element separator           | an1  | M  | * | Used to separate two simple or composite data elements (default value: "+" )                                       |
|   | UNA3       | Decimal notation                 | an1  | M  | * | Used to indicate the character used for decimal notation (default value: ".")                                      |
|   | UNA4       | Release indicator                | an1  | M  | * | Used to restore any service character to its original specification (value: "?").                                  |
|   | UNA5       | Reserved for future use          | an1  | M  | * | (default value: space )  |
|   | UNA6       | Segment terminator               | an1  | M  | * | Used to indicate the end of segment data (default value: "'")  |
| <p>The service string advice shall begin with the upper case characters UNA immediately followed by six characters in the order shown below. The same character shall not be used in more than one position of the UNA.</p> <p>This segment is used to inform the receiver of the interchange that a set of service string characters which are different to the default characters are being used.</p> <p>When using the default set of service characters, the UNA segment need not be sent. If it is sent, it must immediately precede the UNB segment and contain the four service string characters (positions UNA1, UNA2, UNA4 and UNA6) selected by the interchange sender.</p> <p>Regardless of whether or not all of the service string characters are being changed every data element within this segment must be filled, (i.e., if some default values are being used with user defined ones, both the default and user defined values must be specified).</p> <p>When expressing the service string characters in the UNA segment, it is not necessary to include any element separators.</p> <p>The use of the UNA segment is required when using a character set other than level A.</p> <p>Example: UNA:+.? ' '</p> <p>Example: UNA:+.? ' '</p> |            |                                  |  |    |   |  |

Max. Occ. = Maximum Occurrence, St = Status, \* = Restricted Codes

Status: M=Mandatory, R=Required, O=Optional, C=Conditional, D=Dependent, A=Advised, N=Not used



## Segment Layout

| No. Seg       | St         | Max. Occ.                                 |  |    |   |
|---------------|------------|---|--|----|---|
| 2             | <b>UNB</b> | M 1                                       | Interchange header<br>To start, identify and specify an interchange. |    |   |
| Business Term | DE         | EDIFACT                                   | Format   | St | * Description   |
|               | S001       | Syntax identifier                         |  | M  | See Part I chapter 5.2.7 and segment notes.   |
|               | 0001       | Syntax identifier                         | a4   | M  | *<br>UNOA UN/ECE level A<br>UNOB UN/ECE level B<br>UNOC UN/ECE level C<br>UNOD UN/ECE level D<br>UNOE UN/ECE level E<br>UNOF UN/ECE level F |
|               | 0002       | Syntax version number                     | n1   | M  | *<br>3 Version 3  |
|               | S002       | Interchange sender                        |  | M  |   |
|               | 0004       | Sender identification                     | an..35   | M  | GLN (n13)   |
|               | 0007       | Partner identification code qualifier     | an..4  | R  | *<br>14 GS1   |
|               | 0008       | Address for reverse routing               | an..14   | O  |   |
|               | S003       | Interchange recipient                     |  | M  |   |
|               | 0010       | Recipient identification                  | an..35   | M  | GLN (n13)   |
|               | 0007       | Partner identification code qualifier     | an..4  | R  | *<br>14 GS1   |
|               | 0014       | Routing address                           | an..14   | O  |   |
|               | S004       | Date/time of preparation                  |  | M  |   |
|               | 0017       | Date of preparation                       | n6   | M  | YYMMDD  |
|               | 0019       | Time of preparation                       | n4   | M  | HHMM  |
|               | 0020       | Interchange control reference             | an..14   | M  | Unique reference identifying the interchange. Created by the interchange sender.  |
|               | S005       | Recipient's reference, password           |  | O  |   |
|               | 0022       | Recipient's reference/ password           | an..14   | M  |   |
|               | 0025       | Recipient's reference/ password qualifier | an2  | O  |   |
|               | 0026       | Application reference                     | an..14   | O  | Message identification if the interchange contains only one type of message.  |
|               | 0029       | Processing priority code                  | a1   | O  | A Highest priority  |
|               | 0031       | Acknowledgement request                   | n1   | O  | 1 Requested   |
|               | 0032       | Communications agreement ID               | an..35   | O  | * EANCOM.....   |
|               | 0035       | Test indicator                            | n1   | O  | 1 Interchange is a test   |

Max. Occ. = Maximum Occurrence, St = Status, \* = Restricted Codes

Status: M=Mandatory, R=Required, O=Optional, C=Conditional, D=Dependent, A=Advised, N=Not used

## Segment Layout

This segment is used to envelope the interchange, as well as to identify both, the party to whom the interchange is sent and the party who has sent the interchange. The principle of the UNB segment is the same as a physical envelope which covers one or more letters or documents, and which details, both the address where delivery is to take place and the address from where the envelope has come.

S001: The character encoding specified in basic code table of ISO/IEC 646 (7-bit coded character set for information interchange) shall be used for the interchange service string advice (if used) and up to and including the composite data element S001 'Syntax identifier' in the interchange header. The character repertoire used for the characters in an interchange shall be identified from the code value of data element 0001 in S001 'Syntax identifier' in the interchange header. The character repertoire identified does not apply to objects and/or encrypted data.

The default encoding technique for a particular repertoire shall be the encoding technique defined by its associated character set specification.

DE 0001: The recommended (default) character set for use in EANCOM® for international exchanges is character set A (UNOA). Should users wish to use character sets other than A, an agreement on which set to use should be reached on a bilateral basis before communications begin.

DE 0004, 0008, 0010, 0014, 0042 and 0046: Within EANCOM® the use of the Global Location Number (GLN) is recommended for the identification of the interchange sender and recipient.

DE 0008: Identification (e.g. a division) specified by the sender of the interchange, to be included if agreed, by the recipient in response interchanges, to facilitate internal routing.

DE 0042: Sub-level of sender internal identification, when further sub-level identification is required.

DE 0014: The address for routing, provided beforehand by the interchange recipient, is used by the interchange sender to inform the recipient of the internal address, within the latter's systems, to which the interchange should be routed. It is recommended that the GLN be used for this purpose.

DE 0007: Identification (e.g. a division) specified by the recipient of the interchange, to be included if agreed, by the sender in response interchanges, to facilitate internal routing.

DE 0046: Sub-level of recipient internal identification, when further sub-level identification is required.

DE S004: The date and time specified in this composite should be the date and time at which the interchange sender prepared the interchange. This date and time may not necessarily be the same as the date and time of contained messages.

DE 0020: The interchange control reference number is generated by the interchange sender and is used to identify uniquely each interchange. Should the interchange sender wish to re-use interchange control reference numbers, it is recommended that each number be preserved for at least a period of three months before being re-used. In order to guarantee uniqueness, the interchange control reference number should always be linked to the interchange sender's identification (DE 0004).

DE S005: The use of passwords must first be agreed bilaterally by the parties exchanging the interchange.

DE 0026: This data element is used to identify the application, on the interchange recipient's system, to which the interchange is directed. This data element may only be used if the interchange contains only one type of message, (e.g. only invoices). The reference used in this data element is assigned by the interchange sender.

DE 0031: This data element is used to indicate whether an acknowledgement to the interchange is required. The EANCOM® APERAK or CONTRL message should be used to provide acknowledgement of interchange receipt. In addition, the EANCOM® CONTRL message may be used to indicate when an interchange has been rejected due to syntax errors.

DE 0032: This data element is used to identify any underlying agreements which control the exchange of data. Within EANCOM®, the identity of such agreements must start with the letters 'EANCOM', the remaining characters within the data element being filled according to bilateral

Max. Occ. = Maximum Occurrence, St = Status, \* = Restricted Codes

Status: M=Mandatory, R=Required, O=Optional, C=Conditional, D=Dependent, A=Advised, N=Not used

## Segment Layout

---

agreements.

Example: UNB+UNOA:3+4012345000009:14:1+4000004000002:14:4000004000099+021013:1043+12345555+  
REF:AA++A+1+EANCOM-DISI+1'

Example: UNB+UNOA:3+5412345678908:14+8798765432106:14+020102:1000+12345555+++++EANCOMREF  
52'

Max. Occ. = Maximum Occurrence, St = Status, \* = Restricted Codes

Status: M=Mandatory, R=Required, O=Optional, C=Conditional, D=Dependent, A=Advised, N=Not used

## Segment Layout

| No. Seg   | St         | Max. Occ.                 |                |    |   |   |
|---|------------|---------------------------|----------------|----|---|---|
| 3   | <b>UNH</b> | M 1                       | Message header |    |   | To head, identify and specify a message.  |
| Business Term   | DE         | EDIFACT                   | Format         | St | * | Description   |
|   | 0062       | Message reference number  | an..14         | M  |   | Senders unique message reference. Sequence number of messages in the interchange. DE 0062 in UNT will have the same value. Generated by the sender. |
|   | S009       | Message identifier        |                | M  |   |   |
|   | 0065       | Message type              | an..6          | M  | * | BANSTA <b>Banking status message</b>  |
|   | 0052       | Message version number    | an..3          | M  | * | D <b>Draft version/ UN/EDIFACT Directory</b>  |
|   | 0054       | Message release number    | an..3          | M  | * | 01B <b>Release 2001 - B</b>   |
|   | 0051       | Controlling agency        | an..2          | M  | * | UN <b>UN/CEFACT</b>   |
|   | 0057       | Association assigned code | an..6          | R  | * | EAN003 <b>GS1 version control number (GS1 Permanent Code)</b>   |
| <p>This segment is used to head, identify and specify a message.<br/>                     DE's 0065, 0052, 0054, and 0051: Indicate that the message is a UNSM Banking Status based on the D.01B directory under the control of the United Nations.<br/>                     Example:<br/>                     Example: UNH+X+BANSTA:D:01B:UN:EAN003'<br/>                     Example: UNH+1+BANSTA:D:01B:UN:EAN003'</p> |            |                           |                |    |   |   |

Max. Occ. = Maximum Occurrence, St = Status, \* = Restricted Codes  
 Status: M=Mandatory, R=Required, O=Optional, C=Conditional, D=Dependent, A=Advised, N=Not used

## Segment Layout

| No. Seg  | St         | Max. Occ.                       |  |    |   |  |
|--|------------|---------------------------------|--|----|---|--|
| 4  | <b>BGM</b> | M 1                             | Beginning of message<br>To indicate the type and function of a message and to transmit the identifying number. |    |   |  |
| Business Term  | DE         | EDIFACT                         | Format   | St | * | Description  |
|  | C002       | Document/message name           |  | R  |   |  |
|  | 1001       | Document name code              | an..3  | R  | * | 46 <b>Banking status</b>                           |
|  | C106       | Document/message identification |  | R  |   |  |
|  | 1004       | Document identifier             | an..35   | R  |   | Banking Status Number assigned by document sender. |
|  | 1225       | Message function code           | an..3  | R  | * | 9 <b>Original</b>                                  |
| <p>This segment is used to indicate the type and function of a message and to transmit the identifying number.<br/>                     Example:<br/>                     Example: BGM+46+X+9'<br/>                     Example: BGM+46+85512+9'</p> |            |                                 |  |    |   |  |

Max. Occ. = Maximum Occurrence, St = Status, \* = Restricted Codes  
 Status: M=Mandatory, R=Required, O=Optional, C=Conditional, D=Dependent, A=Advised, N=Not used

## Segment Layout

| No.  | Seg        | St  | Max.   | Occ. |  |  |  |
|--|------------|---|--------|------|--|--|--|
| 5  | <b>DTM</b> | M   | 1      |      | Date/time/period<br>To specify date, and/or time, or period. |  |  |
| Business Term  | DE         | EDIFACT   | Format | St   | *  | Description                            |  |
|  | C507       | Date/time/period                                  |        | M    |  |  |  |
|  | 2005       | Date or time or period<br>function code qualifier | an..3  | M    | *  | 137 Document/<br>message date/<br>time |  |
|  | 2380       | Date or time or period<br>value                   | an..35 | R    |  |  |  |
|  | 2379       | Date or time or period<br>format code             | an..3  | R    |  | 102 CCYYMMDD                           |  |
| <p>This segment is used to specify the date of the banking status message.<br/>                     DE 2005: Identification of the 'Document/message date/time' (code value 137) is mandatory in an EANCOM message.<br/>                     Example:<br/>                     Example: DTM+137:X:2'<br/>                     Example: DTM+137:20021008:102'</p> |            |   |        |      |  |  |  |

Max. Occ. = Maximum Occurrence, St = Status, \* = Restricted Codes  
 Status: M=Mandatory, R=Required, O=Optional, C=Conditional, D=Dependent, A=Advised, N=Not used

## Segment Layout

| No. Seg   | St   | Max. Occ.                         |                                   |    |   |  |
|---|------|-----------------------------------|-----------------------------------|----|---|--|
| <b>SG2</b>  | C    | 5                                 | FII                               |    |   |  |
| A group of segments identifying the financial institutions involved in the Banking Status message.  |      |                                   |                                   |    |   |  |
| 6   |      |                                   | <b>FII</b>                        |    |   |  |
|   | M    | 1                                 | Financial institution information |    |   |  |
| To identify an account and a related financial institution.   |      |                                   |                                   |    |   |  |
| Business Term   | DE   | EDIFACT                           | Format                            | St | * | Description  |
|   | 3035 | Party function code qualifier     | an..3                             | M  | * | MS Document/<br>message issuer/<br>sender              |
|   | C078 | Account holder identification     |                                   | N  |   |  |
|   | 3194 | Account holder identifier         | an..35                            |    |   |  |
|   | C088 | Institution identification        |                                   | R  |   |  |
|   | 3433 | Institution name code             | an..11                            | A  |   |  |
|   | 1131 | Code list identification code     | an..17                            | O  |   | 25 Bank identification                                 |
|   | 3055 | Code list responsible agency code | an..3                             | D  |   | 5 ISO (International Organization for Standardization) |
|   | 3434 | Institution branch identifier     | an..17                            | O  |   |  |
|   | 1131 | Code list identification code     | an..17                            | O  |   |  |
|   | 3055 | Code list responsible agency code | an..3                             | C  |   |  |
|   | 3432 | Institution name                  | an..70                            | O  |   |  |
|   | 3436 | Institution branch location name  | an..70                            | O  |   |  |
|   | 3207 | Country name code                 | an..3                             | O  |   | ISO 3166 two alpha code                                |
| <p>This segment is used to identify the financial institution sending the banking status message.<br/>Example:</p> <p>Example: FII+MS++BK:25:5:X:23:2:X:X+AD'</p> <p>Example: FII+MS++KREDBEBB:25:5:37010050'</p> |      |                                   |                                   |    |   |  |

Max. Occ. = Maximum Occurrence, St = Status, \* = Restricted Codes  
 Status: M=Mandatory, R=Required, O=Optional, C=Conditional, D=Dependent, A=Advised, N=Not used

**Segment Layout**

| No. Seg  | St         | Max. Occ.                                       |        |                  |   |
|--|------------|---|--------|------------------|---|
| <b>SG3</b>   | C          | 3   | NAD    |                  |   |
| A group of segments identifying the name(s) and adress(es) of non-financial parties involved in the transaction.                         |            |   |        |                  |   |
| 7  | <b>NAD</b> | M   | 1      | Name and address |   |
| To specify the name/address and their related function, either by C082 only and/or unstructured by C058 or structured by C080 thru 3207. |            |   |        |                  |   |
| Business Term  | DE         | EDIFACT   | Format | St               | * Description   |
|  | 3035       | Party function code qualifier                   | an..3  | M                | * MR <b>Message recipient</b>   |
|  | C082       | Party identification details                    |        | A                |   |
|  | 3039       | Party identifier                                | an..35 | M                | GLN - Format n13  |
|  | 1131       | Code list identification code                   | an..17 | N                |   |
|  | 3055       | Code list responsible agency code               | an..3  | R                | * 9 <b>GS1</b>  |
|  | C058       | Name and address                                |        | O                | This composite may only be used to fulfill the requirements of directive 2003/58/EC, article 4. |
|  | 3124       | Name and address description                    | an..35 | M                |   |
|  | 3124       | Name and address description                    | an..35 | O                |   |
|  | 3124       | Name and address description                    | an..35 | O                |   |
|  | 3124       | Name and address description                    | an..35 | O                |   |
|  | 3124       | Name and address description                    | an..35 | O                |   |
|  | C080       | Party name                                      |        | D                |   |
|  | 3036       | Party name                                      | an..35 | M                | Party Name in clear text.   |
|  | 3036       | Party name                                      | an..35 | O                |   |
|  | 3036       | Party name                                      | an..35 | O                |   |
|  | 3036       | Party name                                      | an..35 | O                |   |
|  | 3036       | Party name                                      | an..35 | O                |   |
|  | 3045       | Party name format code                          | an..3  | O                |   |
|  | C059       | Street  |        | D                |   |
|  | 3042       | Street and number or post office box identifier | an..35 | M                | Building Name/Number and Street Name  |
|  | 3042       | Street and number or post office box identifier | an..35 | O                |   |
|  | 3042       | Street and number or post office box identifier | an..35 | O                |   |

Max. Occ. = Maximum Occurrence, St = Status, \* = Restricted Codes

Status: M=Mandatory, R=Required, O=Optional, C=Conditional, D=Dependent, A=Advised, N=Not used



## Segment Layout

| Business Term | DE   | EDIFACT   | Format | St | * | Description                |
|---------------|------|---|--------|----|---|----------------------------|
|               | 3042 | Street and number or post office box identifier | an..35 | O  |   |                            |
|               | 3164 | City name                                       | an..35 | D  |   | City/Town name, clear text |
|               | C819 | Country sub-entity details                      |        | D  |   |                            |
|               | 3229 | Country sub-entity name code                    | an..9  | O  |   |                            |
|               | 1131 | Code list identification code                   | an..17 | O  |   |                            |
|               | 3055 | Code list responsible agency code               | an..3  | O  |   |                            |
|               | 3228 | Country sub-entity name                         | an..70 | O  |   | County/State, clear text.  |
|               | 3251 | Postal identification code                      | an..17 | D  |   | Postal Code                |
|               | 3207 | Country name code                               | an..3  | D  |   | ISO 3166 two alpha code    |

This segment is used to identify the party receiving the banking status message.  
 DE 3039: For identification of parties it is recommended to use GLN - Format n13.  
 Example:  
 Dependency Notes:  
 The following composites and data elements are only used when a coded name and address can not be used. The affected composites and data elements are as follows:  
 C080 - C059 - 3164 - C819 - 3251 - 3207

Example: NAD+MR+1234567890123::9+X:::X+X:X:X:X:X:1+X:X:X:X+X:23:2:X+X+AD'  
 Example: NAD+MR+5412345000020::9'

Max. Occ. = Maximum Occurrence, St = Status, \* = Restricted Codes  
 Status: M=Mandatory, R=Required, O=Optional, C=Conditional, D=Dependent, A=Advised, N=Not used

## Segment Layout

| No. Seg  | St   | Max. Occ.                                     |             |    |   |   |
|--|------|---|-------------|----|---|---|
| <b>SG4</b>   | M    | 999   | LIN-SG5-SG6 |    |   |   |
| A group of segments identifying a message or transaction and the status of the referred message/transaction, as well as any reasons clarifying the status.   |      |   |             |    |   |   |
| 8  |      |   |             |    |   |   |
| <b>LIN</b>   | M    | 1   | Line item   |    |   |   |
| To identify a line item and configuration.   |      |   |             |    |   |   |
| Business Term  | DE   | EDIFACT                                       | Format      | St | * | Description   |
|  | 1082 | Line item identifier                          | an..6       | R  |   | Application generated number of the count of the lines in the banking status. |
|  | 1229 | Action request/ notification description code | an..3       | N  |   |   |
|  | C212 | Item number identification                    |             | N  |   |   |
|  | 7140 | Item identifier                               | an..35      |    |   |   |
|  | C829 | Sub-line information                          |             | C  |   |   |
|  | 5495 | Sub-line indicator code                       | an..3       | C  |   |   |
|  | 1222 | Configuration level number                    | n..2        | C  |   |   |
|  | 7083 | Configuration operation code                  | an..3       | C  |   |   |
| <p>This segment is used to identify a line within the banking status by means of an incrementing unique line number.</p> <p>Note on DE 1082:<br/>                     Numbering rule: In Part I, section 4.10 there is the recommendation "Within EANCOM® it is recommended that the line numbers used in the first occurrence of data element 1082 in the LIN segment be sequential, starting at 1 for each new message."</p> <p>Example: LIN+9+++1+9+A'<br/>                     Example: LIN+1'</p> |      |   |             |    |   |   |

Max. Occ. = Maximum Occurrence, St = Status, \* = Restricted Codes  
 Status: M=Mandatory, R=Required, O=Optional, C=Conditional, D=Dependent, A=Advised, N=Not used

## Segment Layout

| No. Seg  | St         | Max. Occ.                |             |           |   |  |
|--|------------|--------------------------|-------------|-----------|---|--|
| <b>SG4</b>   | M          | 999                      | LIN-SG5-SG6 |           |   |  |
| A group of segments identifying a message or transaction and the status of the referred message/transaction, as well as any reasons clarifying the status.   |            |                          |             |           |   |  |
| <b>SG5</b>   | C          | 5                        | RFF-DTM     |           |   |  |
| A group of segments specifying reference number(s), date/or time needed in order to identify a referenced message or transaction.  |            |                          |             |           |   |  |
| 9  | <b>RFF</b> | M                        | 1           | Reference |   |  |
| To specify a reference.  |            |                          |             |           |   |  |
| Business Term  | DE         | EDIFACT                  | Format      | St        | * | Description  |
|  | C506       | Reference                |             | M         |   |  |
|  | 1153       | Reference code qualifier | an..3       | M         | * | AEK <b>Payment order number</b><br>CR <b>Customer reference number</b> |
|  | 1154       | Reference identifier     | an..70      | R         |   |  |
| <p>This segment is used to identify the message(s) or transaction(s) for which a banking status is being provided.</p> <p>Examples:</p> <p>Banking status information is provided for the B level number 14.</p> <p>Banking status information is provided for the C level number 3, which is within B level number 2.</p> <p>Example: RFF+AEK:X'</p> <p>Example: RFF+AEK:14'</p> <p>Example: RFF+AEK:2'</p> <p>Example: RFF+CR:3'</p> |            |                          |             |           |   |  |

Max. Occ. = Maximum Occurrence, St = Status, \* = Restricted Codes

Status: M=Mandatory, R=Required, O=Optional, C=Conditional, D=Dependent, A=Advised, N=Not used

## Segment Layout

| No.  | Seg  | St   | Max. Occ. |                  |   |                         |
|--|--|--|-----------|------------------|---|-------------------------|
|  | <b>SG4</b>   | M  | 999       | LIN-SG5-SG6      |   |                         |
|  | A group of segments identifying a message or transaction and the status of the referred message/transaction, as well as any reasons clarifying the status. |  |           |                  |   |                         |
|  | <b>SG5</b>   | C  | 5         | RFF-DTM          |   |                         |
|  | A group of segments specifying reference number(s), date/or time needed in order to identify a referenced message or transaction.                          |  |           |                  |   |                         |
| 10   | <b>DTM</b>   | C  | 1         | Date/time/period |   |                         |
|  | To specify date, and/or time, or period.   |  |           |                  |   |                         |
| Business Term  | DE   | EDIFACT  | Format    | St               | * | Description             |
|  | C507   | Date/time/period                               |           | M                |   |                         |
|  | 2005   | Date or time or period function code qualifier | an..3     | M                | * | 171 Reference date/time |
|  | 2380   | Date or time or period value                   | an..35    | R                |   |                         |
|  | 2379   | Date or time or period format code             | an..3     | R                |   | 102 CCYYMMDD            |
| <p>This segment is used to specify any dates related to the references given in the previous RFF segment.</p> <p>Example:</p> <p>Example: DTM+171:X:2'</p> <p>Example: DTM+171:20020804:102'</p> |  |  |           |                  |   |                         |

Max. Occ. = Maximum Occurrence, St = Status, \* = Restricted Codes  
 Status: M=Mandatory, R=Required, O=Optional, C=Conditional, D=Dependent, A=Advised, N=Not used

## Segment Layout

| No. Seg  | St         | Max. Occ.   |                                 |                  |   |  |
|--|------------|---|---------------------------------|------------------|---|--|
| <b>SG4</b>   | M          | 999   | LIN-SG5-SG6                     |                  |   |  |
| A group of segments identifying a message or transaction and the status of the referred message/transaction, as well as any reasons clarifying the status. |            |   |                                 |                  |   |  |
| <b>SG6</b>   | C          | 99  | SEQ-GIS-DTM-MOA-CUX-FTX-SG7-SG8 |                  |   |  |
| A group of segments identifying the status, and any reasons clarifying this status, of the referred message/transaction.                                   |            |   |                                 |                  |   |  |
| 11   | <b>SEQ</b> | M   | 1                               | Sequence details |   |  |
| To provide details relating to the sequence.   |            |   |                                 |                  |   |  |
| Business Term  | DE         | EDIFACT   | Format                          | St               | * | Description  |
|  | 1229       | Action request/<br>notification description<br>code | an..3                           | R                |   | 55 Referred item,<br>rejected<br>This data element is used to report the actual status of the order referred to in the RFF segment (segment group 5). When this data element is used to indicate that a transaction has been rejected (code 'YF3') then the reason for the rejection should be provided in data element 7365 of the following GIS segment and the incorrect data which has caused the rejection be repeated in the relevant segment. |
|  | C286       | Sequence information                                |                                 | R                |   |  |
|  | 1050       | Sequence position<br>identifier                     | an..10                          | M                |   |  |
| This segment is used to report the status of the referred message/transaction.<br>Example:<br>Example: SEQ+1+X'<br>Example: SEQ+55+1'                      |            |   |                                 |                  |   |  |

Max. Occ. = Maximum Occurrence, St = Status, \* = Restricted Codes

Status: M=Mandatory, R=Required, O=Optional, C=Conditional, D=Dependent, A=Advised, N=Not used

## Segment Layout

| No. Seg  | St         | Max. Occ.                             |                                 |                   |   |
|--|------------|---------------------------------------|---------------------------------|-------------------|---|
| <b>SG4</b>   | M          | 999                                   | LIN-SG5-SG6                     |                   |   |
| A group of segments identifying a message or transaction and the status of the referred message/transaction, as well as any reasons clarifying the status. |            |                                       |                                 |                   |   |
| <b>SG6</b>   | C          | 99                                    | SEQ-GIS-DTM-MOA-CUX-FTX-SG7-SG8 |                   |   |
| A group of segments identifying the status, and any reasons clarifying this status, of the referred message/transaction.                                   |            |                                       |                                 |                   |   |
| 12   | <b>GIS</b> | M                                     | 1                               | General indicator |   |
| To transmit a processing indicator.  |            |                                       |                                 |                   |   |
| Notes:   |            |                                       |                                 |                   |   |
| 1. This segment will be removed effective with directory D.02B.  |            |                                       |                                 |                   |   |
| Business Term  | DE         | EDIFACT                               | Format                          | St                | * Description   |
|  | C529       | Processing indicator                  |                                 | M                 |   |
|  | 7365       | Processing indicator description code | an..3                           | M                 | 45 Beneficiary's account number unknown<br>46 Payee's account number unknown<br>47 Payor' account number unknown<br>48 Correspondent bank not possible<br>49 Execution date not possible<br>50 Value date not possible<br>51 Currency code not possible<br>54 Transaction(s) effected and advised (on)<br>55 Not yet debited<br>76 Monetary amount incorrect<br>77 Payments sent correctly<br>81 Confirmation of authorization<br>83 Transaction execution pending<br>82 Beneficiary's account closed<br>85 Party identification not known<br>86 Beneficiary unknown<br>87 Beneficiary's bank unknown |
|  | 1131       | Code list identification code         | an..17                          | N                 |   |
|  | 3055       | Code list responsible                 | an..3                           | D                 | * 17 <b>S.W.I.F.T.</b>  |

Max. Occ. = Maximum Occurrence, St = Status, \* = Restricted Codes  
 Status: M=Mandatory, R=Required, O=Optional, C=Conditional, D=Dependent, A=Advised, N=Not used

## Segment Layout

| Business Term   | DE | EDIFACT     | Format | St | * | Description  |
|---|----|-------------|--------|----|---|--|
|   |    | agency code |        |    |   | This data element is only used when non-EDIFACT codes have been used in data element 7365. |
| <p>This segment is used to report the reason for the status reported in the SEQ segment. The codes detailed in data element 7365 allow the user to detail the reason for, or additional information related to, the status reported in the SEQ segment. The following segments are used in conjunction with the code values detailed in DE 7365;</p> <p>NAD - 85, 86<br/>                     FII - 87,55,82,45,46,47 and 48<br/>                     DTM - XE1, 49 and 50<br/>                     CUX - YF4 and 51<br/>                     MOA - 76, 51<br/>                     GIS - 83, 81, 54, 55</p> <p>Example:<br/>                     Example: GIS+1 : :17'<br/>                     Example: GIS+49'</p> |    |             |        |    |   |  |

Max. Occ. = Maximum Occurrence, St = Status, \* = Restricted Codes  
 Status: M=Mandatory, R=Required, O=Optional, C=Conditional, D=Dependent, A=Advised, N=Not used

## Segment Layout

| No. Seg   | St         | Max. Occ.                                      |                                 |                  |   |
|---|------------|--|---------------------------------|------------------|---|
| <b>SG4</b>  | M          | 999  | LIN-SG5-SG6                     |                  |   |
| A group of segments identifying a message or transaction and the status of the referred message/transaction, as well as any reasons clarifying the status.  |            |  |                                 |                  |   |
| <b>SG6</b>  | C          | 99   | SEQ-GIS-DTM-MOA-CUX-FTX-SG7-SG8 |                  |   |
| A group of segments identifying the status, and any reasons clarifying this status, of the referred message/transaction.  |            |  |                                 |                  |   |
| 13  | <b>DTM</b> | C  | 2                               | Date/time/period |   |
| To specify date, and/or time, or period.  |            |  |                                 |                  |   |
| Business Term   | DE         | EDIFACT  | Format                          | St               | * Description   |
|   | C507       | Date/time/period                               |                                 | M                |   |
|   | 2005       | Date or time or period function code qualifier | an..3                           | M                | *<br>140 <b>Payment due date</b><br>177 <b>Advise on date/time</b><br>179 <b>Booking date/time</b><br>203 <b>Execution date/time, requested</b><br>209 <b>Value date</b><br>227 <b>Beneficiary's banks due date</b> |
|   | 2380       | Date or time or period value                   | an..35                          | R                |   |
|   | 2379       | Date or time or period format code             | an..3                           | R                | 102 CCYYMMDD  |
| <p>This segment is used to specify the date relevant to the status information reported in the SEQ segment and to indicate incorrect date(s) where a rejection has taken place due to incorrect date(s).</p> <p>When the SEQ segment has indicated that the current transaction has been rejected then this segment may only be used if the codes XE1, 49, or 50 have been used in data element 7365 of the GIS segment.</p> <p>Example:</p> <p>Example: DTM+140:X:2'</p> <p>Example: DTM+203:20020318:102'</p> |            |  |                                 |                  |   |

Max. Occ. = Maximum Occurrence, St = Status, \* = Restricted Codes

Status: M=Mandatory, R=Required, O=Optional, C=Conditional, D=Dependent, A=Advised, N=Not used



## Segment Layout

| No. Seg  | St         | Max. Occ.                           |                                 |                 |  |
|--|------------|-------------------------------------|---------------------------------|-----------------|--|
| <b>SG4</b>   | M          | 999                                 | LIN-SG5-SG6                     |                 |  |
| A group of segments identifying a message or transaction and the status of the referred message/transaction, as well as any reasons clarifying the status.   |            |                                     |                                 |                 |  |
| <b>SG6</b>   | C          | 99                                  | SEQ-GIS-DTM-MOA-CUX-FTX-SG7-SG8 |                 |  |
| A group of segments identifying the status, and any reasons clarifying this status, of the referred message/transaction.   |            |                                     |                                 |                 |  |
| 14   | <b>MOA</b> | C                                   | 1                               | Monetary amount |  |
| To specify a monetary amount.  |            |                                     |                                 |                 |  |
| Business Term  | DE         | EDIFACT                             | Format                          | St              | * Description  |
|  | C516       | Monetary amount                     |                                 | M               |  |
|  | 5025       | Monetary amount type code qualifier | an..3                           | M               | *<br>9 Amount due/ amount payable<br>36 Converted amount<br>57 Equivalent amount<br>60 Final (posted) amount<br>77 Invoice amount<br>98 Original amount<br>119 Received amount |
|  | 5004       | Monetary amount                     | n..35                           | R               |  |
|  | 6345       | Currency identification code        | an..3                           | O               | ISO 4217 three alpha codes   |
| <p>This segment is used to specify any monetary amounts related to the status information reported in the SEQ segment.</p> <p>When the SEQ segment has indicated that the current transaction has been rejected then this segment may only be used if the codes 76 or 51 have been used in data element 7365 of the GIS segment.</p> <p>Example:</p> <p>Example: MOA+9:9:EUR '</p> <p>Example: MOA+119:65300:EUR '</p> |            |                                     |                                 |                 |  |

Max. Occ. = Maximum Occurrence, St = Status, \* = Restricted Codes

Status: M=Mandatory, R=Required, O=Optional, C=Conditional, D=Dependent, A=Advised, N=Not used

## Segment Layout

| No. | Seg  | St | Max. Occ. |                                 |
|-----|--|----|-----------|---------------------------------|
|     | <b>SG4</b>   | M  | 999       | LIN-SG5-SG6                     |
|     | A group of segments identifying a message or transaction and the status of the referred message/transaction, as well as any reasons clarifying the status. |    |           |                                 |
|     | <b>SG6</b>   | C  | 99        | SEQ-GIS-DTM-MOA-CUX-FTX-SG7-SG8 |
|     | A group of segments identifying the status, and any reasons clarifying this status, of the referred message/transaction.                                   |    |           |                                 |
| 15  | <b>CUX</b>   | C  | 1         | Currencies                      |
|     | To specify currencies used in the transaction and relevant details for the rate of exchange.   |    |           |                                 |

| Business Term | DE   | EDIFACT                       | Format | St | * | Description  |
|---------------|------|-------------------------------|--------|----|---|--|
|               | C504 | Currency details              |        | R  |   |  |
|               | 6347 | Currency usage code qualifier | an..3  | M  | * | 2 Reference currency   |
|               | 6345 | Currency identification code  | an..3  | R  |   | ISO 4217 three alpha   |
|               | 6343 | Currency type code qualifier  | an..3  | N  |   |  |
|               | 6348 | Currency rate value           | n..4   | D  |   |  |
|               | C504 | Currency details              |        | D  |   | The second occurrence of this composite if only used is a target currency is being specified.  |
|               | 6347 | Currency usage code qualifier | an..3  | M  | * | 3 Target currency  |
|               | 6345 | Currency identification code  | an..3  | R  |   | ISO 4217 three alpha   |
|               | 6343 | Currency type code qualifier  | an..3  | N  |   |  |
|               | 6348 | Currency rate value           | n..4   | D  |   |  |
|               | 5402 | Currency exchange rate        | n..12  | D  |   | The rate of exchange which applies to the currency. The rate of exchange is only used if a target currency has been identified in the second occurrence of C504. |

This segment is used to identify the incorrect currency associated with code reported in the GIS segment.

When specifying Reference and Target Currencies for international trade, one occurrence of CUX is all that is required. The reference currency is identified in the first occurrence of composite C504, with the target currency specified in the second occurrence of C504. The rate of exchange between the two is detailed in DE 5402.

The general rule for calculating the rate of exchange is as follows :

Reference Currency multiplied by Rate = Target Currency.

Example:

Example: CUX+2:EUR::9+3:EUR::9+9'

Example: CUX+2:EUR+3:USD+0.90243'

Max. Occ. = Maximum Occurrence, St = Status, \* = Restricted Codes

Status: M=Mandatory, R=Required, O=Optional, C=Conditional, D=Dependent, A=Advised, N=Not used

**Segment Layout**

| No.  | Seg  | St                                   | Max. Occ. |                                 |   |  |
|--|--|--------------------------------------|-----------|---------------------------------|---|--|
|  | <b>SG4</b>   | M                                    | 999       | LIN-SG5-SG6                     |   |  |
|  | A group of segments identifying a message or transaction and the status of the referred message/transaction, as well as any reasons clarifying the status. |                                      |           |                                 |   |  |
|  | <b>SG6</b>   | C                                    | 99        | SEQ-GIS-DTM-MOA-CUX-FTX-SG7-SG8 |   |  |
|  | A group of segments identifying the status, and any reasons clarifying this status, of the referred message/transaction.                                   |                                      |           |                                 |   |  |
| 16   | <b>FTX</b>   | C                                    | 1         | Free text                       |   |  |
|  | To provide free form or coded text information.  |                                      |           |                                 |   |  |
| Business Term  | DE   | EDIFACT                              | Format    | St                              | * | Description  |
|  | 4451   | Text subject code qualifier          | an..3     | M                               |   | PMD Payment detail/<br>remittance<br>information   |
|  | 4453   | Free text function code              | an..3     | O                               |   | 1 Text for subsequent<br>use   |
|  | C107   | Text reference                       |           | D                               |   | This composite is only used<br>when trading partners have<br>agreed to use mutually<br>defined code values.                        |
|  | 4441   | Free text value code                 | an..17    | M                               |   |  |
|  | 1131   | Code list identification<br>code     | an..17    | O                               |   |  |
|  | 3055   | Code list responsible<br>agency code | an..3     | D                               |   | 9 GS1<br>91 Assigned by supplier<br>or supplier's agent<br>92 Assigned by buyer<br>or buyer's agent                                |
|  | C108   | Text literal                         |           | D                               |   | This composite is only used if<br>coded text can not be used.  |
|  | 4440   | Free text value                      | an..51    | M                               |   |  |
|  | 4440   | Free text value                      | an..51    | O                               |   |  |
|  | 4440   | Free text value                      | an..51    | O                               |   |  |
|  | 4440   | Free text value                      | an..51    | O                               |   |  |
|  | 4440   | Free text value                      | an..51    | O                               |   |  |
|  | 3453   | Language name code                   | an..3     | D                               |   | ISO 639 two alpha code<br>This data element is only used<br>when non coded free text has<br>been provided in data element<br>C108. |
| <p>This segment is used to provide any free text information related to the status information being provided.</p> <p>Use of this segment in free form is not recommended since in most cases it inhibits automatic processing of the Banking Status. Coded references to standard texts is an available functionality which enables automatic processing and reduces transmission and processing overheads. Standard texts should be mutually defined among trading partners and can be used to cover legal and other requirements.</p> |  |                                      |           |                                 |   |  |

Max. Occ. = Maximum Occurrence, St = Status, \* = Restricted Codes

Status: M=Mandatory, R=Required, O=Optional, C=Conditional, D=Dependent, A=Advised, N=Not used

## Segment Layout

---

Example:

Agreed code value 001: The order identified in the RFF segment has not be processed because the date of the cheque was invalid.

Example: FTX+PMD+1+78E:23:2+X:X:X:X+AA '

Example: FTX+PMD++001::ZZZ '

Max. Occ. = Maximum Occurrence, St = Status, \* = Restricted Codes

Status: M=Mandatory, R=Required, O=Optional, C=Conditional, D=Dependent, A=Advised, N=Not used

## Segment Layout

| No. Seg  | St         | Max. Occ.                         |                                 |                                   |   |  |
|--|------------|-----------------------------------|---------------------------------|-----------------------------------|---|--|
| <b>SG4</b>   | M          | 999                               | LIN-SG5-SG6                     |                                   |   |  |
| A group of segments identifying a message or transaction and the status of the referred message/transaction, as well as any reasons clarifying the status. |            |                                   |                                 |                                   |   |  |
| <b>SG6</b>   | C          | 99                                | SEQ-GIS-DTM-MOA-CUX-FTX-SG7-SG8 |                                   |   |  |
| A group of segments identifying the status, and any reasons clarifying this status, of the referred message/transaction.                                   |            |                                   |                                 |                                   |   |  |
| <b>SG7</b>   | C          | 1                                 | FII                             |                                   |   |  |
| A group of segments identifying the financial institution(s) associated with the related information in the GIS segment.                                   |            |                                   |                                 |                                   |   |  |
| 17   | <b>FII</b> | M                                 | 1                               | Financial institution information |   |  |
| To identify an account and a related financial institution.  |            |                                   |                                 |                                   |   |  |
| Business Term  | DE         | EDIFACT                           | Format                          | St                                | * | Description  |
|  | 3035       | Party function code qualifier     | an..3                           | M                                 |   | BF Beneficiary's bank<br>BQ Cheque drawn bank<br>OR Ordered bank |
|  | C078       | Account holder identification     |                                 | R                                 |   |  |
|  | 3194       | Account holder identifier         | an..35                          | R                                 |   |  |
|  | 3192       | Account holder name               | an..35                          | O                                 |   |  |
|  | 3192       | Account holder name               | an..35                          | O                                 |   |  |
|  | 6345       | Currency identification code      | an..3                           | O                                 |   | ISO 4217 three alpha   |
|  | C088       | Institution identification        |                                 | D                                 |   |  |
|  | 3433       | Institution name code             | an..11                          | A                                 |   |  |
|  | 1131       | Code list identification code     | an..17                          | O                                 |   | 25 Bank identification   |
|  | 3055       | Code list responsible agency code | an..3                           | D                                 |   | 5 ISO (International Organization for Standardization)           |
|  | 3434       | Institution branch identifier     | an..17                          | O                                 |   |  |
|  | 1131       | Code list identification code     | an..17                          | O                                 |   |  |
|  | 3055       | Code list responsible agency code | an..3                           | D                                 |   |  |
|  | 3432       | Institution name                  | an..70                          | O                                 |   |  |
|  | 3436       | Institution branch location name  | an..70                          | O                                 |   |  |
|  | 3207       | Country name code                 | an..3                           | O                                 |   | ISO 3166 two alpha code  |
| This segment is used to identify any incorrect financial institutions related to the current status information.   |            |                                   |                                 |                                   |   |  |
| This segment may only be used if the codes 87, 55, 82, 45, 46, 47 or 48 have been used in data element 7365 of the GIS segment.                            |            |                                   |                                 |                                   |   |  |

Max. Occ. = Maximum Occurrence, St = Status, \* = Restricted Codes

Status: M=Mandatory, R=Required, O=Optional, C=Conditional, D=Dependent, A=Advised, N=Not used

## Segment Layout

---

The preferred way to identify a bank and its branch is in machine readable format using data elements 3433 and 3434. When using C088 it is recommended that if data element 3433 is not used that 3432 be used, and that when data element 3434 is not used that data element 3436 be used.

Example:

Example: FII+BF+X:X:X:EUR+BK:23:2:X:23:2:X:X+AD'

Example: FII+OR+24680123:PKG LTD:BRUSSELS+KREDBEBB:25:5'

Max. Occ. = Maximum Occurrence, St = Status, \* = Restricted Codes

Status: M=Mandatory, R=Required, O=Optional, C=Conditional, D=Dependent, A=Advised, N=Not used

## Segment Layout

| No. Seg  | St         | Max. Occ. |                                 |
|--|------------|-----------|---------------------------------|
| <b>SG4</b>   | M          | 999       | LIN-SG5-SG6                     |
| A group of segments identifying a message or transaction and the status of the referred message/transaction, as well as any reasons clarifying the status. |            |           |                                 |
| <b>SG6</b>   | C          | 99        | SEQ-GIS-DTM-MOA-CUX-FTX-SG7-SG8 |
| A group of segments identifying the status, and any reasons clarifying this status, of the referred message/transaction.                                   |            |           |                                 |
| <b>SG8</b>   | C          | 1         | NAD                             |
| A group of segments identifying the name and address of non-financial parties associated with the related information in the GIS segment.                  |            |           |                                 |
| 18   | <b>NAD</b> | M         | 1 Name and address              |
| To specify the name/address and their related function, either by C082 only and/or unstructured by C058 or structured by C080 thru 3207.                   |            |           |                                 |

| Business Term | DE   | EDIFACT                           | Format | St | * | Description   |
|---------------|------|-----------------------------------|--------|----|---|---|
|               | 3035 | Party function code qualifier     | an..3  | M  |   | BE Beneficiary<br>CQ Cheque order<br>OB Ordered by<br>PE Payee<br>RV Receiver of cheque         |
|               | C082 | Party identification details      |        | A  |   |   |
|               | 3039 | Party identifier                  | an..35 | M  |   |   |
|               | 1131 | Code list identification code     | an..17 | N  |   |   |
|               | 3055 | Code list responsible agency code | an..3  | R  | * | 9 <b>GS1</b>  |
|               | C058 | Name and address                  |        | O  |   | This composite may only be used to fulfill the requirements of directive 2003/58/EC, article 4. |
|               | 3124 | Name and address description      | an..35 | M  |   |   |
|               | 3124 | Name and address description      | an..35 | O  |   |   |
|               | 3124 | Name and address description      | an..35 | O  |   |   |
|               | 3124 | Name and address description      | an..35 | O  |   |   |
|               | 3124 | Name and address description      | an..35 | O  |   |   |
|               | C080 | Party name                        |        | D  |   |   |
|               | 3036 | Party name                        | an..35 | M  |   | Party Name in clear text.   |
|               | 3036 | Party name                        | an..35 | O  |   |   |
|               | 3036 | Party name                        | an..35 | O  |   |   |
|               | 3036 | Party name                        | an..35 | O  |   |   |
|               | 3036 | Party name                        | an..35 | O  |   |   |

Max. Occ. = Maximum Occurrence, St = Status, \* = Restricted Codes  
 Status: M=Mandatory, R=Required, O=Optional, C=Conditional, D=Dependent, A=Advised, N=Not used

## Segment Layout

| Business Term | DE   | EDIFACT   | Format | St | * | Description                          |
|---------------|------|---|--------|----|---|--------------------------------------|
|               | 3045 | Party name format code                          | an..3  | O  |   |                                      |
|               | C059 | Street  |        | D  |   |                                      |
|               | 3042 | Street and number or post office box identifier | an..35 | M  |   | Building Name/Number and Street Name |
|               | 3042 | Street and number or post office box identifier | an..35 | O  |   |                                      |
|               | 3042 | Street and number or post office box identifier | an..35 | O  |   |                                      |
|               | 3042 | Street and number or post office box identifier | an..35 | O  |   |                                      |
|               | 3164 | City name                                       | an..35 | D  |   | City/Town name, clear text           |
|               | C819 | Country sub-entity details                      |        | D  |   |                                      |
|               | 3229 | Country sub-entity name code                    | an..9  | O  |   |                                      |
|               | 1131 | Code list identification code                   | an..17 | O  |   |                                      |
|               | 3055 | Code list responsible agency code               | an..3  | O  |   |                                      |
|               | 3228 | Country sub-entity name                         | an..70 | O  |   | County/State, clear text.            |
|               | 3251 | Postal identification code                      | an..17 | D  |   | Postal Code                          |
|               | 3207 | Country name code                               | an..3  | D  |   | ISO 3166 two alpha code              |

This segment is used to identify any incorrect non-financial parties related to the current status information.

This segment may only be used if the codes 86 or 85 have been used in data element 7365 of the GIS segment.

Example:

Dependency Notes:

The following composites and data elements are only used when a coded name and address can not be used. The affected composites and data elements are as follows:

C080 - C059 - 3164 - C819 - 3251 - 3207

Example: NAD+BE+1234567890123::9+X:::X+X:X:X:X:X:1+X:X:X+X+X:23:2:X+X+AD'

Example: NAD+BE+5412345000020::9'



## Segment Layout

| No.   | Seg        | St                                   | Max. Occ. |  |   |  |
|---|------------|--------------------------------------|-----------|--|---|--|
| 19  | <b>CNT</b> | C                                    | 5         | Control total<br>To provide control total. |   |  |
| Business Term   | DE         | EDIFACT                              | Format    | St   | * | Description  |
|   | C270       | Control                              |           | M  |   |  |
|   | 6069       | Control total type code<br>qualifier | an..3     | M  |   | 2 Number of line<br>items in message<br>40 Total number of<br>sequence details in<br>message |
|   | 6066       | Control total value                  | n..18     | M  |   |  |
|   | 6411       | Measurement unit code                | an..3     | O  |   |  |
| <p>This segment is used to provide application data for message control purposes.<br/>                     Example:<br/>                     Example: CNT+1:9:58'<br/>                     Example: CNT+2:14'</p> |            |                                      |           |  |   |  |

Max. Occ. = Maximum Occurrence, St = Status, \* = Restricted Codes  
 Status: M=Mandatory, R=Required, O=Optional, C=Conditional, D=Dependent, A=Advised, N=Not used

## Segment Layout

| No.   | Seg   | St                        | Max. Occ. |                       |   |             |
|---|---|---------------------------|-----------|-----------------------|---|-------------|
|   | <b>SG9</b>  | C                         | 5         | AUT-DTM               |   |             |
|   | A group of segments specifying details of any authentication (validation) procedures applied to the BANSTA message. |                           |           |                       |   |             |
| 20  | <b>AUT</b>  | M                         | 1         | Authentication result |   |             |
|   | To specify results of the application of an authentication procedure.   |                           |           |                       |   |             |
| Business Term   | DE  | EDIFACT                   | Format    | St                    | * | Description |
|   | 9280  | Validation result value   | an..35    | M                     |   |             |
|   | 9282  | Validation key identifier | an..35    | O                     |   |             |
| <p>This segment is used to provide details of any authentication procedures which have been applied to the banking status message. The use of this segment is, including any algorithms and calculation procedures, dependent on bilaterally agreed conditions between the message sender and receiver.</p> <p>Example:</p> <p>Example: AUT+X+X'</p> <p>Example: AUT+77322'</p> |   |                           |           |                       |   |             |

Max. Occ. = Maximum Occurrence, St = Status, \* = Restricted Codes

Status: M=Mandatory, R=Required, O=Optional, C=Conditional, D=Dependent, A=Advised, N=Not used

## Segment Layout

| No.   | Seg   | St   | Max. Occ. |                  |   |   |
|---|---|--|-----------|------------------|---|---|
|   | <b>SG9</b>  | C  | 5         | AUT-DTM          |   |   |
|   | A group of segments specifying details of any authentication (validation) procedures applied to the BANSTA message. |  |           |                  |   |   |
| 21  | <b>DTM</b>  | C  | 1         | Date/time/period |   |   |
|   | To specify date, and/or time, or period.  |  |           |                  |   |   |
| Business Term   | DE  | EDIFACT  | Format    | St               | * | Description                             |
|   | C507  | Date/time/period                               |           | M                |   |   |
|   | 2005  | Date or time or period function code qualifier | an..3     | M                | * | 218 Authentication/validation date/time |
|   | 2380  | Date or time or period value                   | an..35    | R                |   |   |
|   | 2379  | Date or time or period format code             | an..3     | R                |   | 102 CCYYMMDD<br>203 CCYYMMDDHHMM        |
| <p>This segment is used to provide details related to the date and where necessary, the time, of the banking status message validation.</p> <p>Example:<br/>The banking status was validated at 16:00 hrs on the 23rd of May 2002.</p> <p>Example: DTM+218:X:2'</p> <p>Example: DTM+218:200205231600:203'</p> |   |  |           |                  |   |   |

Max. Occ. = Maximum Occurrence, St = Status, \* = Restricted Codes  
 Status: M=Mandatory, R=Required, O=Optional, C=Conditional, D=Dependent, A=Advised, N=Not used

## Segment Layout

| No. Seg   | St         | Max. Occ.                         |  |    |   |
|---|------------|-----------------------------------|--|----|---|
| 22  | <b>UNT</b> | M 1                               | Message trailer<br>To end and check the completeness of a message. |    |   |
| Business Term   | DE         | EDIFACT                           | Format   | St | * Description   |
|   | 0074       | Number of segments in the message | n..6   | M  | The total number of segments in the message is detailed here.                                   |
|   | 0062       | Message reference number          | an..14   | M  | The message reference numbered detailed here should equal the one specified in the UNH segment. |
| <p>This segment is a mandatory UN/EDIFACT segment. It must always be the last segment in the message.<br/>                     Example:<br/>                     Example: UNT+20+X'<br/>                     Example: UNT+20+1'</p> |            |                                   |  |    |   |

Max. Occ. = Maximum Occurrence, St = Status, \* = Restricted Codes  
 Status: M=Mandatory, R=Required, O=Optional, C=Conditional, D=Dependent, A=Advised, N=Not used

## Segment Layout

| No. Seg  | St         | Max. Occ.                     |   |    |   |  |
|--|------------|-------------------------------|---|----|---|--|
| 23   | <b>UNZ</b> | M 1                           | Interchange trailer<br>To end and check the completeness of an interchange. |    |   |  |
| Business Term  | DE         | EDIFACT                       | Format  | St | * | Description  |
|  | 0036       | Interchange control count     | n..6  | M  |   | Number of messages or functional groups within an interchange. |
|  | 0020       | Interchange control reference | an..14  | M  |   | Identical to DE 0020 in UNB segment.                           |
| <p>This segment is used to provide the trailer of an interchange.<br/>                     DE 0036: If functional groups are used, this is the number of functional groups within the interchange. If functional groups are not used, this is the number of messages within the interchange.</p> <p>Example: UNZ+1+12345555 '<br/>                     Example: UNZ+5+12345555 '</p> |            |                               |   |    |   |  |

Max. Occ. = Maximum Occurrence, St = Status, \* = Restricted Codes  
 Status: M=Mandatory, R=Required, O=Optional, C=Conditional, D=Dependent, A=Advised, N=Not used

## Used Codes

---

|             |   |
|-------------|---|
| <b>0001</b> | <p>Syntax identifier<br/>Coded identification of the agency controlling a syntax and syntax level used in an interchange.</p> <p>Notes:<br/>1. a3, upper case, Controlling Agency (e.g. UNO=UN/ECE) and a1 stating level (e.g. A) (which together give UNOA).</p> |
| UNOA        | <p>UN/ECE level A<br/>As defined in the basic code table of ISO 646 with the exceptions of lower case letters, alternative graphic character allocations and national or application-oriented graphic character allocations.</p>                                  |
| UNOB        | <p>UN/ECE level B<br/>As defined in the basic code table of ISO 646 with the exceptions of alternative graphic character allocations and national or application-oriented graphic character allocations.</p>  |
| UNOC        | <p>UN/ECE level C<br/>As defined in ISO/IEC 8859-1 : Information technology - Part 1: Latin alphabet No. 1.</p>   |
| UNOD        | <p>UN/ECE level D<br/>As defined in ISO/IEC 8859-2 : Information technology - Part 2: Latin alphabet No. 2.</p>   |
| UNOE        | <p>UN/ECE level E<br/>As defined in ISO/IEC 8859-5 : Information technology - Part 5: Latin/Cyrillic alphabet.</p>  |
| UNOF        | <p>UN/ECE level F<br/>As defined in ISO 8859-7 : Information processing - Part 7: Latin/Greek alphabet.</p>   |
| <b>0002</b> | <p>Syntax version number<br/>Version number of the syntax identified in the syntax identifier (0001)</p> <p>Notes:<br/>1. Increments 1 for each version.</p>  |
| 3           | <p>Version 3<br/>ISO 9735 Amendment 1:1992.<br/>GS1 Description:<br/>Syntax version number 3. This code can be used with all of the character sets (A, B, C, D, E and F).</p>   |

## Used Codes

---

|             |  |
|-------------|--|
| <b>0007</b> | Partner identification code qualifier<br>Qualifier referring to the source of codes for the identifiers of interchanging partners.         |
|             | Notes:<br>1. Used with sender/recipient identification code.   |
| 14          | GS1<br>Partner identification code assigned by GS1, an international organization of GS1 Member Organizations that manages the GS1 System. |
| <b>0025</b> | Recipient's reference/password qualifier<br>Qualifier for the recipient's reference or password.   |
|             | Notes:<br>1. If specified in IA.   |
| AA          | Reference<br>Recipient's reference/password is a reference.  |
| BB          | Password<br>Recipient's reference/password is a password.  |
| <b>0029</b> | Processing priority code<br>Code determined by the sender requesting processing priority for the interchange.                              |
|             | Notes:<br>1. Used if specified in IA.  |
| A           | Highest priority<br>Requested processing priority is the highest.  |
| <b>0031</b> | Acknowledgement request<br>Code determined by the sender for acknowledgement of the interchange.   |
|             | Notes:<br>1. Set = 1 if sender requests acknowledgement, i.e. UNB and UNZ segments received and identified.                                |
| 1           | Requested<br>Acknowledgement is requested.   |
| <b>0035</b> | Test indicator<br>Indication that the interchange is a test.   |
|             | Notes:<br>1. Set = 1 if the interchange is a test. Otherwise not used.   |

## Used Codes

---

|             |  |
|-------------|--|
| 1           | Interchange is a test<br>Indicates that the interchange is a test.   |
| 5           | Interchange is a service provider test<br>Indicates that this interchange is a test with a service provider.   |
| <b>0051</b> | Controlling agency<br>Code to identify the agency controlling the specification, maintenance and publication of the message type.  |
| UN          | UN/CEFACT<br>United Nations Centre for Trade Facilitation and Electronic Business (UN/CEFACT).<br>GS1 Description:<br>UN Economic Commission for Europe (UN/ECE), Committee on the development of trade (TRADE), Working Party on facilitation of international trade procedures (WP.4). |
| <b>0052</b> | Message version number<br>Version number of a message type.<br><br>Notes:<br>1. If UNG/UNE is used, shall be identical in UNG and UNE.<br>The representation of 0052 was specified as n..3 in version 1 of ISO 9735.   |
| D           | Draft version/UN/EDIFACT Directory<br>Message approved and issued as a draft message (Valid for directories published after March 1993 and prior to March 1997). Message approved as a standard message (Valid for directories published after March 1997).                              |
| <b>0054</b> | Message release number<br>Release number within the current message type version number (0052).<br><br>Notes:<br>1. The representation of 0054 was specified as n..3 in version 1 of ISO 9735.   |
| 01B         | Release 2001 - B<br>Message approved and issued in the second 2001 release of the UNTDID (United Nations Trade Data Interchange Directory).  |
| <b>0057</b> | Association assigned code<br>A code assigned by the association responsible for the design and maintenance of the message type concerned, which further identifies the message.  |
| EAN003      | GS1 version control number (GS1 Permanent Code)<br>Indicates that the message is an EANCOM message in version 003.   |



## Used Codes

---

|             |  |
|-------------|--|
| <b>0065</b> | <p>Message type<br/>Code identifying a type of message and assigned by its controlling agency.</p> <p>Notes:<br/>1. Type of message being transmitted.</p>   |
| BANSTA      | <p>Banking status message<br/>A code to identify the banking status message.<br/>GS1 Description:<br/>Message sent by the receiver of a previously sent-message to report on the status of processing of this original message. It indicates, at the application level, the acceptance or rejection of the message or the ability for the receiver of the message to execute or not the instructions received.</p> |
| <b>1001</b> | <p>Document name code<br/>Code specifying the document name.</p>   |
| 46          | <p>Banking status<br/>A banking status document and/or message.</p>  |
| <b>1131</b> | <p>Code list identification code<br/>Code identifying a user or association maintained code list.</p> <p>Notes:<br/>1. The codes for this data element are provided by the code list responsible agency defined in data element 3055.</p>  |
| 23          | <p>Clearing house automated payment<br/>Self explanatory.</p> <p>Notes:<br/>This code value will be removed effective with directory D.04A.<br/>GS1 Description:<br/>Banking community' automated payment clearing system.</p>   |
| 25          | <p>Bank identification<br/>Code for identification of banks.</p> <p>Notes:<br/>This code value will be removed effective with directory D.04A.</p>   |
| 106         | <p>Incoterms 1980<br/>(4110) Code to indicate applicable Incoterm (1980 edition) under which seller undertakes to deliver merchandise to buyer (ICC). Incoterms 1990: use 4053 only.</p> <p>Notes:<br/>This code value will be removed effective with directory D.04A.</p>   |

**Used Codes**

|     |   |
|-----|---|
| 132 | Charge<br>Identification of a type of charge.<br><br>Notes:<br>This code value will be removed effective with directory D.04A.  |
| 154 | Bank branch sorting identification<br>Identification of a specific branch of a bank.<br><br>Notes:<br>This code value will be removed effective with directory D.04A.   |
| 157 | Clearing code<br>Identification of the responsible bank/clearing house which has cleared or is ordered to do the clearing.<br><br>Notes:<br>This code value will be removed effective with directory D.04A.   |
| 166 | Social security identification<br>Code assigned by the authority competent to issue social security identification to identify a person.<br><br>Notes:<br>This code value will be removed effective with directory D.04A.                             |
| 174 | Citizen identification<br>Self explanatory.<br><br>Notes:<br>This code value will be removed effective with directory D.04A.<br>GS1 Description:<br>Code issued by national authority competent to issue citizen identification to identify a person. |
| 1E  | Incoterms 1990 (GS1 Temporary Code)<br>Incoterms 1990 as published by the International Chamber of Commerce (ICC).  |
| 2E  | Incoterms 2000 (GS1 Temporary Code)<br>Incoterms 2000 as published by the International Chamber of Commerce (ICC).  |
| 3E  | Incoterms 2010 (GS1 Temporary Code)<br>Incoterms 2010 as published by the International Chamber of Commerce (ICC).  |
| ADR | Accord Europeen au transport international dangereuses (GS1 Temporary Code)<br>A European agreement concerning the international carriage of dangerous goods by road.   |

## Used Codes

---

|     |  |
|-----|--|
| BR  | Brand (GS1 Temporary Code)<br>An identifying mark or label on the products of a particular company, or the kind or make of a commodity.  |
| CA  | Category (GS1 Temporary Code)<br>A class or division in a scheme of classification.  |
| CO  | Colour (GS1 Temporary Code)<br>Description of the colour required/available on the goods.  |
| FL  | Flavor (GS1 Temporary Code)<br>The characteristic quality of goods.  |
| HMT | Hazardous material standard text (GS1 Temporary Code)<br>Code indicating agreed standard text on hazardous materials.  |
| LOC | Location Code (GS1 Temporary Code)<br>This is a code to indicate where the EAS tag is located on the Trade Item. Values include On outside of Trade Item, Concealed inside Trade Item, Integrated Inside Trade Item.     |
| OAG | Organic Claim Agency (GS1 Temporary Code)<br>A governing body that creates and maintain standards related to organic products.   |
| OCO | Organic Trade Item Code (GS1 Temporary Code)<br>Used to indicate the organic status of a trade item or of one or more of its components.   |
| OUM | Ordering unit of measure (GS1 Temporary Code)<br>The alternate Unit of Measure of how Trade Items are ordered by the Retailer under one Unit of Measure, but sold under another Unit of Measure.                         |
| SKB | SKRS recommendation (GS1 Temporary Code)<br>SKRS recommendation for standard clothes hanger.   |
| SRN | Service relation number (GS1 Temporary Code)<br>A number used to identify a database entry which records recurring services, e.g., treatment of a patient in a hospital, usage by a member of a library facilities, etc. |
| ST  | Style (GS1 Temporary Code)<br>Specific or characteristic design in any goods.  |
| SUM | Selling unit of measure (GS1 Temporary Code)<br>Describes the measurement used for selling unit of the Trade Item to the end consumer.   |
| SZ  | Size (GS1 Temporary Code)<br>Any of a series of graded classifications of measure into which goods are divided.  |

**Used Codes**

|     |   |
|-----|---|
| SZG | Size Group (GS1 Temporary Code)<br>A description of the variable size that is necessary to uniquely specify the size of the item in conjunction with the nonpackaged size dimension.                                  |
| TYP | Type Code (GS1 Temporary Code)<br>This is a code to indicate the type of EAS tag located on the Trade Item. Values include Acousto-Magnetic, Electro-Magnetic, Ink or dye, Microwave, Radio Frequency.                |
| X11 | Diet Allergen (GS1 Temporary Code)<br>Indication of which dietary or allergen marks that are on the package.  |
| X12 | Environment (GS1 Temporary Code)<br>Indication of which environmental marks (e.g. recycling schemes) that are on trade item package.  |
| X13 | Ethical (GS1 Temporary Code)<br>Indication of which ethical trading marks that are on the package.  |
| X14 | Free Form (GS1 Temporary Code)<br>Indication of which free-from marks that are on the package.  |
| X15 | Expiration date (GS1 Temporary Code)<br>Indicates the type of expiration date marked on the packaging.  |
| X16 | Nesting Direction (GS1 Temporary Code)<br>Depicts the arrangement of two items that nest together specifically whether they nest against each other or on top of each other.  |
| X17 | Package Marks Hygienic (GS1 Temporary Code)<br>Indication of which hygiene markings are present in the product package  |
| X18 | Hazardous Components are Removable (GS1 Temporary Code)<br>An indicator if any hazardous components contained within the trade item can easily be separated from the other materials to facilitate product recycling. |
| X19 | Trade Item Has Refuse Obligations (GS1 Temporary Code)<br>Indicates if there are special disposal obligations that apply to the trade item for example INTRASTAT.   |
| X20 | Trade Item Is Designed for Easy Disassembly (GS1 Temporary Code)<br>Indicates that the trade item is designed for easy disassembly by recycling facilities using standard industry tools.                             |
| X21 | Trade Item Is Rigid Plastic Packaging Container (GS1 Temporary Code)<br>Indicates that a product is or is contained in a Rigid Plastic Packaging Container (RPPC) as defined by laws in the target market.            |
| X22 | Trade Item Is ROHS Compliant (GS1 Temporary Code)<br>Indicates if the product is compliant with the European Union RoHS Directive.  |
| X23 | Trade Item Is Universal Waste (GS1 Temporary Code)<br>Indicates if a product can be considered universal waste.   |

## Used Codes

---

|     |  |
|-----|--|
| X24 | Trade Item Is Consumer Upgradeable Or Maintainable (GS1 Temporary Code)<br>Indicates if a product can be easily upgraded or have parts replaced by the consumer.   |
| X25 | Trade Item Contains Short Chain Chlorinated Paraffins (GS1 Temporary Code)<br>Indicate if the trade item and/or its components contain paints, coatings, plastics or other materials containing short chain chlorinated paraffins (SCCPs).   |
| X26 | Trade Item Contains Pesticide (GS1 Temporary Code)<br>Indicates if the trade item is advertised or labelled as a chemical or contains a chemical that is advertised or labelled to kill, repel or prevent the growth of any living organism. |
| X27 | Trade Item Contains Propellant (GS1 Temporary Code)<br>Indicates if a trade item contains a compressed gas or propellant.  |
| X28 | Trade Item Contains Polyvinyl Chloride (GS1 Temporary Code)<br>Indicate if product contains Polyvinyl Chloride (PVC), a widely used thermoplastic polymer.   |
| X29 | Trade Item Chemical Is Not Intended For Human Consumption (GS1 Temporary Code)<br>Indicates that the trade item is or contains a Liquid, Gel, Paste, Powder, or Flammable solid not intended for human consumption (ingested).               |
| X30 | ROHS Compliance Failure Material (GS1 Temporary Code)<br>The material used in the trade item that does not comply with the ROHS Directives   |
| X31 | Packaging Terms And Condition (GS1 Temporary Code)<br>Indicates if the packaging given in the described packaging configuration is a rented, exchangeable, against deposit or one way/not reusable.  |
| X32 | Warranty Effective Date Type (GS1 Temporary Code)<br>The type of date associated with the warranty trade item usually expressed as an event date for the item for example date of purchase, date of manufacture or date of delivery.         |
| X33 | Warranty Type (GS1 Temporary Code)<br>Type of warranty available for the part, e.g. labour, distance, extended service.  |
| X35 | Warranty Constraint (GS1 Temporary Code)<br>Defines the relationship between different guarantee terms, e.g. "and", "or", "the stronger", "the weaker".  |
| X36 | Seasonal Availability End Date (GS1 Temporary Code)<br>Indicates the end date of the trade item's seasonal availability.   |
| X37 | Seasonal Availability Start Date (GS1 Temporary Code)<br>Indicates the start date of the trade item's seasonal availability.   |

**Used Codes**

|     |   |
|-----|---|
| X38 | Season Calendar Year (GS1 Temporary Code)<br>This element indicates the calendar year in which the trade item is seasonally available.  |
| X39 | Season Parameter (GS1 Temporary Code)<br>Indication of the season, in which the trade item is available.  |
| X40 | Trade Item Automatic Power Down is Enabled (GS1 Temporary Code)<br>An indicator whether a product is enabled with auto power down feature when shipped to the customer.   |
| X41 | Electrical Usage Agency Code (GS1 Temporary Code)<br>The agency that regulates electrical usage for products within a target market.  |
| X42 | Nesting Type (GS1 Temporary Code)<br>Depicts whether a nested item fits inside or over the other item in a nesting relationship.  |
| X43 | Display Dimension Type Code (GS1 Temporary Code)<br>Depicts certain display scenarios used for measurement.   |
| X44 | Manufacturer Has Take Back Program (GS1 Temporary Code)<br>Indicates if the manufacturer of the trade item offers any take back programs to consumers for the product to be reused, remanufactured or recycled by the manufacturer. |
| X45 | Display Resolution (GS1 Temporary Code)<br>The display resolution of a television or computer display.  |
| X46 | Orientation Preference Sequence (GS1 Temporary Code)<br>Depicts the preferred sequence of orientation used to communicate the manufacturers relative preferences of orientation.  |
| X47 | Orientation Type (GS1 Temporary Code)<br>Depicts via code a display orientation for a trade item.   |
| X48 | Electrical Usage Trade Item Classification Code (GS1 Temporary Code)<br>A classification code value from a product classification scheme provided to drive required information for electrical usage.                               |
| X49 | Electrical Usage Trade Item Classification Name (GS1 Temporary Code)<br>A classification name from a product classification scheme provided to drive required information for electrical usage.                                     |
| X50 | Electrical Usage SubClassification Code (GS1 Temporary Code)<br>A sub-classification code value from a product classification scheme provided to drive required information for electrical usage.                                   |
| X51 | Electrical Usage SubClassification Name (GS1 Temporary Code)<br>A sub-classification name provided to drive required information for electrical usage.  |

## Used Codes

---

|             |   |
|-------------|---|
| X52         | Confirmation Status Code (GS1 Temporary Code)<br>The CIC Confirmation Code must be of a type of code number that can be generated automatically by a computer system.   |
| X53         | Confirmation Status Code Description (GS1 Temporary Code)<br>Provides the code description that matches up with the Code that can possibly be generated automatically by a computer system.                                 |
| X54         | Additional Confirmation Status Description (GS1 Temporary Code)<br>Provides a way to communicate human entered information that may not be covered by the machine to machine codes and descriptions.                        |
| X55         | Corrective Action (GS1 Temporary Code)<br>Provides the corrective action code to fix the issue that caused the problem.   |
| X56         | Expected Corrective Information (GS1 Temporary Code)<br>Provides the expected corrective information via a human entered information that may not be covered by the machine to machine codes.                               |
| X57         | Electrical Usage Trade Item Classification Agency (GS1 Temporary Code)<br>A classification agency or organisation whose product classification scheme is being provided to drive required information for electrical usage. |
| X58         | ASFIS (GS1 Permanent Code)<br>FAO alphah-3 code list for fish species identification, commercial name & scientific name.  |
| X59         | FAO fishing areas (GS1 Permanent Code)<br>FAO fishing areas codelist.   |
| X60         | FAO Fishing gear type (GS1 Permanent Code)<br>FAO Fishing gear type codelist.   |
| X61         | EU fish quality (GS1 Permanent Code)<br>EU fish quality grade code list (E, A, B, C).   |
| X62         | EU fish size (GS1 Permanent Code)<br>EU fish standardized size code list (1, 2, 3, 4, 5 & One_Size).  |
| X63         | EU fish presentation (GS1 Permanent Code)<br>EU fish presentation code list (3 or 5 char alpha code).   |
| ZZZ         | Mutually defined<br>Self explanatory.<br>Note : This code value will be removed effective with directory D.04A.   |
| <b>1153</b> | Reference code qualifier<br>Code qualifying a reference.  |
| AEK         | Payment order number<br>A number that identifies a payment order.   |

## Used Codes

---

|             |  |
|-------------|--|
| CR          | Customer reference number<br>Reference number assigned by the customer to a transaction.   |
| <b>1225</b> | Message function code<br>Code indicating the function of the message.  |
| 9           | Original<br>Initial transmission related to a given transaction.   |
| <b>1229</b> | Action request/notification description code<br>Code specifying the action to be taken or already taken.   |
| 1           | Added<br>The information is to be or has been added.<br>GS1 Description:<br>This line item is added to a referenced message or an existing data base.  |
| 2           | Deleted<br>The information is to be or has been deleted.<br>GS1 Description:<br>This line item is deleted from a referenced message or an existing data base.  |
| 3           | Changed<br>The information is to be or has been changed.<br>GS1 Description:<br>This line item is changed in a referenced message or an existing data base. A change to data on a data base would normally result in the creation of a history entry recording the correction. |
| 4           | No action<br>This line item is not affected by the actual message.   |
| 5           | Accepted without amendment<br>This line item is entirely accepted by the seller.   |
| 6           | Accepted with amendment<br>This line item is accepted but amended by the seller.   |
| 7           | Not accepted<br>This line item is not accepted by the seller.  |
| 10          | Not found<br>This line item is not found in the referenced message.  |
| 11          | Not amended<br>This line is not amended by the buyer.  |
| 23          | Proposed amendment<br>A code used to indicate an amendment suggested by the sender.  |
| 24          | Accepted with amendment, no confirmation required<br>Accepted with changes which require no confirmation.  |



**Used Codes**

|             |  |
|-------------|--|
| 38          | Replaced<br>Provide a replacement.   |
| 55          | Referred item, rejected<br>The item being referred to has been rejected.   |
| 74          | Reopened<br>Opened again.<br>GS1 Description:<br>A line item that was marked for deletion is reactivated in the referenced message or existing database.   |
| 96          | Correction of error<br>A correction to information previously communicated which contained an error.   |
| 115         | Prior addition<br>This existing line item becomes available at an earlier date.<br>A line item, which has already been added with a certain start validity date is added again with a validity date prior to that of the last addition in the referenced message or existing database. |
| 11E         | Reporting item details included (SWIFT Code)<br>Reporting item details are included.   |
| 12E         | No advice (SWIFT Code)<br>No details will be advised.  |
| 13E         | Reporting item details sent separately (SWIFT Code)<br>Reporting item details have been transmitted separately.  |
| 14E         | Reporting item details to follow (SWIFT Code)<br>Reporting item details will be sent separately.   |
| XB6         | Reporting item details advised just-in-time (SWIFT Code)<br>Reporting item details will be advised just-in-time.   |
| <b>2005</b> | Date or time or period function code qualifier<br>Code qualifying the function of a date, time or period.  |
| 137         | Document/message date/time<br>(2006) Date/time when a document/message is issued. This may include authentication.   |
| 140         | Payment due date<br>Date/time at which funds should be made available.   |
| 171         | Reference date/time<br>Date/time on which the reference was issued.  |
| 177         | Advise on date/time<br>The information must be advised on the date/time indicated.   |

## Used Codes

|             |  |
|-------------|--|
| 179         | Booking date/time<br>Date at which the booking was made.   |
| 203         | Execution date/time, requested<br>The date/time on which the ordered bank is requested to initiate the payment order, as specified by the originator (e.g. the date of the debit).   |
| 209         | Value date<br>Date on which the funds are at the disposal of the beneficiary or cease to be at the disposal of the ordering customer.  |
| 218         | Authentication/validation date/time<br>The date/time of authentication and/or validation.  |
| 227         | Beneficiary's banks due date<br>Date on which funds should be made available to the beneficiary's bank.  |
| <b>2379</b> | Date or time or period format code<br>Code specifying the representation of a date, time or period.  |
| 2           | DDMMYY<br>Calendar date: D = Day; M = Month; Y = Year.   |
| 101         | YYMMDD<br>Calendar date: Y = Year; M = Month; D = Day.   |
| 102         | CCYYMMDD<br>Calendar date: C = Century ; Y = Year ; M = Month ; D = Day.   |
| 104         | MMWW-MMWW<br>A period of time specified by giving the start week of a month followed by the end week of a month. Data is to be transmitted as consecutive characters without hyphen. |
| 107         | DDD<br>Day's number within a specific year: D = Day.   |
| 108         | WW<br>Week's number within a specific year: W = Week.  |
| 109         | MM<br>Month's number within a specific year: M = Month.  |
| 110         | DD<br>Day's number within is a specific month.   |
| 201         | YYMMDDHHMM<br>Calendar date including time without seconds: Y = Year; M = Month; D = Day; H = Hour; M = Minute.  |
| 203         | CCYYMMDDHHMM<br>Calendar date including time with minutes: C=Century; Y=Year; M=Month; D=Day; H=Hour; M=Minutes.   |

**Used Codes**

|     |   |
|-----|---|
| 204 | CCYYMMDDHHMMSS<br>Calendar date including time with seconds: C=Century;Y=Year; M=Month; D=Day;H=Hour;M=Minute;S=Second.   |
| 401 | HHMM<br>Time without seconds: H = Hour; m = Minute.   |
| 501 | HHMMHHMM<br>Time span without seconds: H = Hour; m = Minute;.   |
| 502 | HHMMSS-HHMMSS<br>Format of period to be given without hyphen.   |
| 602 | CCYY<br>Calendar year including century: C = Century; Y = Year.   |
| 609 | YYMM<br>Month within a calendar year: Y = Year; M = Month.  |
| 610 | CCYMM<br>Month within a calendar year: CC = Century; Y = Year; M = Month.   |
| 615 | YYWW<br>Week within a calendar year: Y = Year; W = Week 1st week of January = week 01.  |
| 616 | CCYYWW<br>Week within a calendar year: CC = Century; Y = Year; W = Week (1st week of January = week 01).  |
| 713 | YYMMDDHHMM-YYMMDDHHMM<br>Format of period to be given in actual message without hyphen.   |
| 715 | YYWW-YYWW<br>A period of time specified by giving the start week of a year followed by the end week of year (both not including century). Data is to be transmitted as consecutive characters without hyphen. |
| 717 | YYMMDD-YYMMDD<br>Format of period to be given in actual message without hyphen.   |
| 718 | CCYYMMDD-CCYYMMDD<br>Format of period to be given without hyphen.   |
| 719 | CCYYMMDDHHMM-CCYYMMDDHHMM<br>A period of time which includes the century, year, month, day, hour and minute. Format of period to be given in actual message without hyphen.                                   |
| 720 | DHHMM-DHHMM<br>Format of period to be given without hyphen (D=day of the week, 1=Monday; 2=Tuesday; ... 7=Sunday).  |
| 801 | Year<br>To indicate a quantity of years.  |

## Used Codes

---

|             |   |
|-------------|---|
| 802         | Month<br>To indicate a quantity of months.  |
| 803         | Week<br>To indicate a quantity of weeks.  |
| 804         | Day<br>To indicate a quantity of days.  |
| 805         | Hour<br>To indicate a quantity of hours.  |
| 806         | Minute<br>To indicate a quantity of minutes.  |
| 810         | Trimester<br>To indicate a quantity of trimesters (three months).   |
| 811         | Half month<br>To indicate a quantity of half months.  |
| 21E         | DDHHMM-DDHHMM (GS1 Temporary Code)<br>Format of period to be given in actual message without hyphen.  |
| <b>3035</b> | Party function code qualifier<br>Code giving specific meaning to a party.   |
| AB          | Buyer's agent/representative<br>Third party who arranged the purchase of merchandise on behalf of the actual buyer.   |
| ACD         | Party has access to all non publicly available data (GS1 Temporary Code)<br>The identified party has access to all non publicly available pricing and non-pricing data associated with the current product.       |
| ACN         | Party has access only to non publicly available non-pricing data (GS1 Temporary Code)<br>The identified party has access only to the non publicly available non-pricing data associated with the current product. |
| ACP         | Party has access only to non publicly available pricing data (GS1 Temporary Code)<br>The identified party has access only to the non publicly available pricing data associated with the current product.         |
| AE          | Declarant's agent/representative<br>Any natural or legal person who makes a declaration to an official body on behalf of another natural or legal person, where legally permitted (CCC).                          |
| AG          | Agent/representative<br>(3196) Party authorized to act on behalf of another party.  |

**Used Codes**

|    |   |
|----|---|
| AP | Accepting party<br>(3352) Party accepting goods, products, services etc.  |
| AS | Account servicing financial institution<br>Identifies the financial institution servicing the account(s).                         |
| BE | Beneficiary<br>The ultimate recipient of the funds. Normally the account owner who is reimbursed by the payor.                    |
| BF | Beneficiary's bank<br>Identifies the account servicer for the beneficiary or the payee.   |
| BK | Financial institution<br>Party acting as financial institution.   |
| BL | Bill of lading recipient<br>Party to receive B/L.   |
| BO | Broker or sales office<br>Party acting in the name of the seller as broker or as sales office.                                    |
| BQ | Cheque drawn bank<br>Identifies the bank on which the cheque should be drawn, as instructed by the ordering customer.             |
| BS | Bill and ship to<br>Party receiving goods and relevant invoice.   |
| BY | Buyer<br>Party to whom merchandise and/or service is sold.  |
| CA | Carrier<br>(3126) Party undertaking or arranging transport of goods between named points.   |
| CG | Carrier's agent<br>Party authorized to act for or on behalf of carrier.   |
| CH | Connecting carrier<br>Owner or operator of a transportation conveyance to which goods in a given transaction will be transferred. |
| CK | Empty equipment despatch party<br>Party from whose premises empty equipment will be or has been despatched.                       |
| CM | Customs<br>Identification of customs authority relevant to the transaction or shipment.   |
| CN | Consignee<br>(3132) Party to which goods are consigned.   |
| CO | Corporate office<br>Identification of the Head Office within a company.   |

**Used Codes**

|     |  |
|-----|--|
| COD | Quotation requesting party<br>The party sending the requests for quotation.<br>GS1 Note: Replaces GS1 Temporary Code QP.<br>EDIFACT                            |
| CPE | Central payment service (GS1 Temporary Code)<br>Master of the conveyance.<br>GS1 Description:<br>A party providing central (or consolidated payment) services. |
| CPU | Central procurement party (GS1 Temporary Code)<br>Party responsible for all aspects (e.g. tenders, orders, invoices, ..) of procurement.                       |
| CQ  | Cheque order<br>Party to which the cheque will be ordered, when different from the beneficiary.  |
| CR  | Empty equipment return party<br>Party to whose premises empty equipment will be or has been returned.  |
| CRB | Creditor's bank (SWIFT Code)<br>Identifies the account servicer for the creditor.  |
| CRE | Creditor (SWIFT Code)<br>The party to be credited with funds.  |
| CS  | Consolidator<br>Party consolidating various consignments, payments etc.  |
| CW  | Equipment owner<br>Owner of equipment (container, etc.).   |
| CX  | Consignee's agent<br>Party authorized to act on behalf of the consignee.   |
| CZ  | Consignor<br>(3336) Party which, by contract with a carrier, consigns or sends goods with the carrier, or has them conveyed by him. Synonym: shipper, sender.  |
| DBB | Debtor's bank (SWIFT Code)<br>Identifies the account servicer for the debtor.  |
| DCS | Temporary employee<br>A person employed on a temporary basis.  |
| DCT | Designer<br>A party who designs.   |
| DCU | Quotation delivered to<br>Party to whom the quotation is to be or has been delivered.<br>EDIFACT   |
| DCV | Developer<br>A party who develops.   |

## Used Codes

---

|     |  |
|-----|--|
| DCX | Party to receive refund<br>Party to whom a refund is given.  |
| DEF | Meat cutter<br>Person whose job is to cut up and/or mince meat.<br>EDIFACT   |
| DEQ | Shipper<br>Party responsible for the shipment of goods.  |
| DER | Source data pool<br>A data pool that supports the functionality required by a data source such as data loading, publication, notification, registration, etc.  |
| DES | Brand owner<br>The owner of a brand.   |
| DFZ | Article information responsible party<br>The party responsible for article information.<br>GS1 Note: Replaces GS1 Temporary Code IPD.  |
| DGA | Price information responsible party<br>The party responsible for price information.<br>GS1 Note: Replaces GS1 Temporary Code IPR.  |
| DGB | Invoice processing party<br>Party to whom the invoice is sent and who processes the invoice on behalf of the invoicee. Note, the invoicee is legally responsible for the invoice and can be different to the processing party.<br>GS1 Note: Replaces GS1 Temporary Code ITO. |
| DGC | Logistic service provider<br>A party providing logistic services for another party (e.g re-packing suppliers products) on products.<br>GS1 Note: Replaces GS1 Temporary Code LSP.  |
| DGD | Fattener<br>Party which provides fattening services.<br>GS1 Note: Replaces GS1 Temporary Code X51.   |
| DGE | Breeder<br>Party which provides breeding.<br>GS1 Note: Replaces GS1 Temporary Code X52.  |
| DL  | Factor<br>Company offering a financial service whereby a firm sells or transfers title to its accounts receivable to the factoring company.  |
| DM  | Party to whom documents are to be presented<br>Party to whom documents are to be presented.  |

**Used Codes**

|    |  |
|----|--|
| DP | Delivery party<br>(3144) Party to which goods should be delivered, if not identical with consignee.<br>GS1 Description:<br>Party to which goods should be delivered, if not the same as the buyer.   |
| DS | Distributor<br>Party distributing goods, financial payments or documents.  |
| EM | Party to receive electronic memo of invoice<br>Party being informed about invoice issue (via EDI).   |
| EO | Owner of equipment<br>Party who owns equipment.  |
| EX | Exporter<br>(3030) Party who makes - or on whose behalf a Customs clearing agent or other authorized person makes - an export declaration. This may include a manufacturer, seller or other person. Within a Customs union, consignor may have the same meaning as exporter. |
| FD | Buyer's parent company<br>Parent company, e.g. holding company.  |
| FP | Freight/charges payer<br>Party responsible for the payment of freight.   |
| FR | Message from<br>Party where the message comes from.  |
| FW | Freight forwarder<br>Party arranging forwarding of goods.  |
| GL | Socially insured person<br>A person who is registered in a social security scheme.   |
| GM | Inventory controller<br>To specifically identify the party in charge of inventory control.   |
| GO | Goods owner<br>The party which owns the goods.   |
| GQ | Slaughterer<br>Party or person who has undertaken or will undertake a slaughter.   |
| GW | Party fulfilling all operations<br>Code indicating the fact that the party identified carries out all operations within that company's activities.   |
| GX | Central catalogue party<br>Party controlling a central catalogue.  |
| GY | Inventory reporting party<br>Party reporting inventory information.  |



**Used Codes**

|     |  |
|-----|--|
| GZ  | Substitute supplier<br>Party which may be in a position to supply products or services should the main usual supplier be unable to do so.  |
| HP  | Final message recipient<br>To identify the final recipient of the message.   |
| HQ  | Owner of account (SWIFT Code)<br>Identifies the owner of the account.  |
| HX  | Debtor (SWIFT Code)<br>Party from whom payment is due.   |
| I1  | Intermediary bank 1<br>A financial institution between the ordered bank and the beneficiary's bank.  |
| I2  | Intermediary bank 2<br>A financial institution between the ordered bank and the beneficiary's bank.  |
| II  | Issuer of invoice<br>(3028) Party issuing an invoice.  |
| IM  | Importer<br>(3020) Party who makes - or on whose behalf a Customs clearing agent or other authorized person makes - an import declaration. This may include a person who has possession of the goods or to whom the goods are consigned.   |
| IN  | Insurer<br>A person or company offering insurance policies for premiums.   |
| IPA | Party information party (GS1 Temporary Code)<br>The party in a company who is responsible for the party information. The PARTIN message may be requested from or sent by this party.   |
| IPD | Article information party (GS1 Temporary Code)<br>The party in a company who is responsible for the pricing or other article information. The PRICAT or PRODAT messages may be requested from or sent by this party.<br>GS1 Note: Code marked for deletion. Use value DFZ instead.                               |
| IPR | Price information party (GS1 Temporary Code)<br>The party in a company who is responsible for the price information. The PRICAT message may be requested from or sent by this party.<br>GS1 Note: Code marked for deletion. Use value DGA instead.   |
| ITO | Invoice recipient party (GS1 Temporary Code)<br>Party to whom the invoice is sent and who processes the invoice on behalf of the invoicee. Note, the invoicee is legally responsible for the invoice and can be different to the processing party.<br>GS1 Note: Code marked for deletion. Use value DGB instead. |
| IV  | Invoicee<br>(3006) Party to whom an invoice is issued.   |

## Used Codes

---

|     |   |
|-----|---|
| JB  | <p>Goods collection party<br/>Party that will collect or has collected the goods.<br/>GS1 Description:<br/>Party that will collect or has collected the goods.</p>  |
| LC  | <p>Party declaring the Value Added Tax (VAT)<br/>A code to identify the party who is responsible for declaring the Value Added Tax (VAT) on the sale of goods or services.</p>  |
| LD  | <p>Party recovering the Value Added Tax (VAT)<br/>A code to identify the party who is eligible to recover the Value Added Tax (VAT) on the sale of goods or services.</p>   |
| LF  | <p>Buyer's corporate office<br/>The identification of the buyer's corporate office.</p>   |
| LG  | <p>Supplier's corporate office<br/>The identification of the supplier's corporate office.</p>   |
| LP  | <p>Loading party<br/>Party responsible for the loading when other than carrier.</p>   |
| LSP | <p>Logistic Service Provider (GS1 Temporary Code)<br/>A party providing logistic services for another party (e.g re-packing suppliers products) on products which may lead to added value for the product.<br/>GS1 Note: Code marked for deletion. Use value DGC instead.</p> |
| MA  | <p>Party for whom item is ultimately intended<br/>Party for whom item is ultimately intended.</p>   |
| MF  | <p>Manufacturer of goods<br/>Party who manufactures the goods.</p>  |
| MP  | <p>Manufacturing plant<br/>Self explanatory.<br/>GS1 Description:<br/>Industrial department of a company in which goods are manufactured with appropriate equipment and fittings.</p>   |
| MR  | <p>Message recipient<br/>A party to receive a message or messages.</p>  |
| MS  | <p>Document/message issuer/sender<br/>Issuer of a document and/or sender of a message.</p>  |
| N1  | <p>Notify party no. 1<br/>The first party which is to be notified.</p>  |
| N2  | <p>Notify party no. 2<br/>The second party which is to be notified.</p>   |
| NFP | <p>No function priority allocated (GS1 Temporary Code)<br/>Code indicating that the party identified is capable of carrying out all or most functions within the party.</p>   |

**Used Codes**

|    |  |
|----|--|
| NI | Notify party<br>(3180) Party to be notified of arrival of goods.   |
| OB | Ordered by<br>Party who issued an order.<br>GS1 Description:<br>Party who issued an order for goods and services.          |
| OR | Ordered bank<br>Identifies the account servicer for the ordering customer or payor.  |
| OS | Original shipper<br>The original supplier of the goods.  |
| OV | Owner of means of transport<br>(3126) Party owning the means of transport. No synonym of carrier = CA.                     |
| OY | Ordering customer<br>Identifies the originator of the instruction.<br>GS1 Description:<br>Only used in financial messages. |
| P1 | Contact party 1<br>First party to contact.   |
| P2 | Contact party 2<br>Second party to contact.  |
| PB | Paying financial institution<br>Financial institution designated to make payment.  |
| PE | Payee<br>Identifies the credit party when other than the beneficiary.  |
| PF | Party to receive freight bill<br>Party to whom the freight bill should be sent.  |
| PL | Payor<br>Identifies the debit party when other than the ordering customer (for banking purposes).                          |
| PO | Ordering party<br>To be used only if ordering party and buyer are not identical.   |
| PR | Payer<br>(3308) Party initiating payment.  |
| PW | Despatch party<br>(3282) Party where goods are collected or taken over by the carrier (i.e. if other than consignor).      |
| PX | Party to receive all documents<br>A party which is named to be the recipient of all documents.                             |

## Used Codes

---

|    |   |
|----|---|
| PY | <p>Checking party</p> <p>Party or contact designated on behalf of carrier or his agent to establish the actual figures for quantities, weight, volume and/or (cube) measurements of goods or containers which are to appear in the transport contract and on which charges will be based.</p> |
| RA | <p>Central bank or regulatory authority</p> <p>Identifies central bank or regulatory authority which must be informed of certain aspects of a message.</p>  |
| RB | <p>Receiving financial institution</p> <p>Financial institution designated to receive payment.</p>  |
| RE | <p>Party to receive commercial invoice remittance</p> <p>Party to whom payment for a commercial invoice or bill should be remitted.</p>   |
| RH | <p>Seller's financial institution</p> <p>Financial institution designated by seller to receive payment. RDFI (ACH transfers).</p>   |
| RV | <p>Receiver of cheque</p> <p>Identifies the party which is to receive the actual cheque, when different from the receiver of funds.</p>   |
| SA | <p>Sales person number (GS1 Temporary Code)</p> <p>The identification of a sales person number.<br/>GS1 Note: Code marked for deletion. Use value SE instead.</p>   |
| SE | <p>Seller</p> <p>(3346) Party selling merchandise to a buyer.<br/>GS1 Note: Replaces GS1 Temporary Code SA.</p>   |
| SF | <p>Ship from</p> <p>Identification of the party from where goods will be or have been shipped.</p>  |
| SN | <p>Store number</p> <p>A party keeping a shop or store.<br/>GS1 Description:<br/>Number allocated to identify a store.</p>  |
| SR | <p>Supplier's agent/representative</p> <p>(3254) Party representing the seller for the purpose of the trade transaction.<br/>GS1 Description:<br/>Party representing the supplier for the purpose of the trade transaction.</p>   |
| SS | <p>Social securities collector's office</p> <p>Party collecting social securities premiums.</p>   |
| ST | <p>Ship to</p> <p>Identification of the party to where goods will be or have been shipped.</p>  |

## Used Codes

---

|     |   |
|-----|---|
| SU  | Supplier<br>Party who supplies goods and/or services.<br>GS1 Description:<br>Party which provides service(s) and/or manufactures or otherwise has possession of goods, and consigns or makes them available in trade. |
| TC  | Tax collector's office<br>Party collecting taxes.   |
| TPE | Testing party (GS1 Temporary Code)<br>A party authorized to carry out a specified test.   |
| TS  | Party to receive certified test results<br>Party to whom the certified test results should be sent.   |
| UC  | Ultimate consignee<br>Party who has been designated on the invoice or packing list as the final recipient of the stated merchandise.  |
| UD  | Ultimate customer<br>The final recipient of goods.  |
| WH  | Warehouse keeper<br>(3022) Party taking responsibility for goods entered into a warehouse.  |
| WS  | Wholesaler<br>Seller of articles, often in large quantities, to be retailed by others.  |
| X47 | Cash register number (GS1 Temporary Code)<br>Number allocated to identify a cash register.  |
| X48 | Corporate identity (GS1 Temporary Code)<br>The identity of party to whom all other parties of the same commercial organisation are linked.  |
| X50 | Mincing plant (GS1 Temporary Code)<br>A place where the meat of animals is cut into very small pieces using a meat grinder.<br>GS1 Note: Code marked for deletion.  |
| X51 | Fattener (GS1 Temporary Code)<br>Party which fattens the animal.<br>GS1 Note: Code marked for deletion. Use value DGD instead.  |
| X52 | Breeder (GS1 Temporary Code)<br>Party which breeds the animal.<br>GS1 Note: Code marked for deletion. Use value DGE instead.  |
| X53 | Content Owner (GS1 Temporary Code)<br>Not available.<br>GS1 Note: Code marked for deletion.   |
| X54 | Temperature variation (GS1 Temporary Code)<br>Temperature variation upward or downward  |

## Used Codes

---

|             |   |
|-------------|---|
| X56         | No / missing loading space (GS1 Temporary Code)<br>The goods/consignment/equipment could not be loaded because of no/missing loading space.   |
| ZZZ         | Mutually defined<br>Party specification mutually agreed between interchanging parties.  |
| <b>3045</b> | Party name format code<br>Code specifying the representation of a party name.   |
| 1           | Name components in sequence as defined in description below<br>Name component 1: Family name. Name component 2: Given name or initials. Name component 3: Given name or initials. Name component 4: Maiden name. Name component 5: Title Group of name components transmitted in sequence with name component 1 transmitted first. The maiden name is the family name given at birth of a female. Other names are self-explanatory. |
| <b>3055</b> | Code list responsible agency code<br>Code specifying the agency responsible for a code list.  |
| 2           | CEC (Commission of the European Communities)<br>Generic: see also 140, 141, 142, 162.<br>GS1 Description:<br>Commission of the European Communities   |
| 3           | IATA (International Air Transport Association)<br>The airline industry's international organisation.<br>GS1 Description:<br>International Air Transport Association   |
| 5           | ISO (International Organization for Standardization)<br>International Organization of Standardization.  |
| 6           | UN/ECE (United Nations - Economic Commission for Europe)<br>United Nations Economic Commission for Europe.  |
| 7           | CEFIC (Conseil Europeen des Federations de l'Industrie Chimique)<br>EDI project for chemical industry.  |
| 8           | EDIFICE<br>Standardised electronic commerce forum for companies with interests in computing, electronics and telecommunications.<br>GS1 Description:<br>EDI Forum for companies with Interest in Computing and Electronics (EDI project for EDP/ADP sector).  |
| 9           | GS1<br>GS1 (formerly EAN International), an organisation of GS1 Member Organisations, which manages the GS1 System.<br>GS1 Description:<br>GS1 International.   |

**Used Codes**

|     |  |
|-----|--|
| 10  | ODETTE<br>Organization for Data Exchange through Tele-Transmission in Europe<br>(European automotive industry project).  |
| 17  | S.W.I.F.T.<br>Society for Worldwide Interbank Financial Telecommunications s.c.  |
| 28  | EDITEUR (European book sector electronic data interchange group)<br>Code identifying the pan European user group for the book industry as an<br>organisation responsible for code values in the book industry.   |
| 60  | Assigned by national trade agency<br>The code list is from a national agency.  |
| 65  | GS1 France<br>Organisation responsible for GS1 System in France.   |
| 68  | GS1 Italy<br>Organisation responsible for GS1 System in Italy.   |
| 83  | US, National Retail Federation<br>The National Retail Federation is the trade association for the general<br>merchandise retailing industry. In addition to providing support and education<br>services, they also maintain and publish standard colour and size codes for the<br>retail industry. |
| 84  | DE, BRD (Gesetzgeber der Bundesrepublik Deutschland)<br>German legislature.  |
| 86  | Assigned by party originating the message<br>Codes assigned by the party originating the message.  |
| 87  | Assigned by carrier<br>Codes assigned by the carrier.  |
| 88  | Assigned by owner of operation<br>Assigned by owner of operation (e.g. used in construction).  |
| 89  | Assigned by distributor<br>Codes assigned by a distributor.  |
| 90  | Assigned by manufacturer<br>Code assigned by the manufacturer.   |
| 91  | Assigned by supplier or supplier's agent<br>Codes assigned by a seller or seller's agent.<br>GS1 Description:<br>Code assigned by the supplier or supplier's agent.  |
| 92  | Assigned by buyer or buyer's agent<br>Codes assigned by a buyer or buyer's agent.  |
| 112 | US, U.S. Census Bureau<br>The Bureau of the Census of the U.S. Dept. of Commerce.  |

**Used Codes**

|     |   |
|-----|---|
| 113 | GS1 US<br>Organisation responsible for GS1 System in the USA.   |
| 116 | US, ANSI ASC X12<br>American National Standards Institute ASC X12.  |
| 131 | DE, German Bankers Association<br>German Bankers' Association.  |
| 136 | GS1 UK<br>Organisation responsible for GS1 System in the UK.  |
| 137 | AT, Verband oesterreichischer Banken und Bankiers<br>Austrian bankers association.  |
| 174 | DE, DIN (Deutsches Institut fuer Normung)<br>German standardization institute.  |
| 182 | US, Standard Carrier Alpha Code (Motor)<br>Organisation maintaining the SCAC lists and transportation operating in North America.                                       |
| 194 | AU, AQIS (Australian Quarantine and Inspection Service)<br>Australian Quarantine and Inspection Service.  |
| 200 | GS1 Netherlands<br>Organisation responsible for GS1 System in the Netherlands.  |
| 245 | GS1 Denmark<br>Organisation responsible for GS1 System in Denmark.  |
| 246 | GS1 Germany<br>Organisation responsible for GS1 System in Germany.<br>GS1 Description:<br>German representative of International Article Numbering association (GS1).   |
| 260 | Ediel Nordic forum<br>A code to identify Ediel Nordic forum, which is an organization standardizing the use of EDI between the participants in the Nordic power market. |
| 281 | GS1 Belgium & Luxembourg<br>Organisation responsible for GS1 System in Belgium & Luxembourg.  |
| 286 | SE, TCO (Tjänstemännens Central Organisation)<br>The Swedish Confederation of Professional Employees.   |
| 294 | GS1 Austria<br>Organisation responsible for the GS1 System in Austria.  |
| 295 | AU, Therapeutic Goods Administration<br>Austrialian administration responsible for the regulation of therapeutic goods in Australia.<br>EDIFACT                         |



**Used Codes**

|     |   |
|-----|---|
| 297 | IT, Ufficio IVA<br>Ufficio responsabile gestione partite IVA, Italy (Italian Institute issuing VAT registration numbers).<br>EDIFACT                              |
| 298 | GS1 Spain<br>Organisation responsible for the GS1 System in Spain.  |
| 316 | GS1 Finland<br>Organisation responsible for the GS1 system in Finland.  |
| 317 | GS1 Brazil<br>Organisation responsible for the GS1 system in Brazil.  |
| 324 | GS1 Ireland<br>Organisation responsible for the GS1 system in Ireland.  |
| 325 | GS1 Russia<br>Organisation responsible for the GS1 system in Russia.  |
| 326 | GS1 Poland<br>Organisation responsible for the GS1 system in Poland.  |
| 327 | GS1 Estonia<br>Organisation responsible for the GS1 system in Estonia.  |
| 376 | PANTONE<br>Color code controlling organisation  |
| 400 | FAO (Food and Agriculture Organisation)<br>Food and Agriculture Organisation of the United Nations.   |
| 403 | Comite Europeen de Normalisation<br>Comite Européen de Normalisation (CEN), European committee for standardisation.<br>GS1 Note: Replaces GS1 Temporary Code CEN. |
| 404 | Assigned by logistics service provider<br>Codes assigned by a logistics service provider.<br>GS1 Note: Replaces GS1 Temporary Code X6.                            |
| CEN | Comite European de Normalisation (GS1 Temporary Code)<br>Comite European de Normalisation.<br>GS1 Note: Code marked for deletion. Use value 403 instead.          |
| PMS | Pantone Matching System (GS1 Temporary Code)<br>Pantone Matching System.  |
| RAL | DE, Deutsches Institut fuer Guetesicherung und Kennzeichnung (GS1 Temporary Code)<br>German Institute for Quality Assurance and Certification.                    |

## Used Codes

---

|             |  |
|-------------|--|
| X5          | IT, Ufficio IVA (GS1 Temporary Code)<br>Ufficio responsabile gestione partite IVA, Italy (Italian Institute issuing VAT registration numbers).                                       |
| X6          | Assigned by logistics service provider (GS1 Temporary Code)<br>Codes assigned by the logistics service provider.<br>GS1 Note: Code marked for deletion. Use value 404 instead.       |
| ZZZ         | Mutually defined<br>A code assigned within a code list to be used on an interim basis and as defined among trading partners until a precise code can be assigned to the code list.   |
| <b>3207</b> | Country name code<br>  Identification of the name of the country or other geographical entity as defined in ISO 3166-1.<br><br>Notes:<br>  1. Use ISO 3166-1 two alpha country code. |
| AD          | Andorra  |
| AE          | United Arab Emirates   |
| AF          | Afghanistan  |
| AG          | Antigua and Barbuda  |
| AI          | Anguilla   |
| AL          | Albania  |
| AM          | Armenia  |
| AO          | Angola   |
| AQ          | Antarctica   |
| AR          | Argentina  |
| AS          | American Samoa   |
| AT          | Austria  |
| AU          | Australia  |
| AW          | Aruba  |
| AX          | Åland Islands  |
| AZ          | Azerbaijan   |
| BA          | Bosnia and Herzegovina   |
| BB          | Barbados   |
| BD          | Bangladesh   |
| BE          | Belgium  |

**Used Codes**

|    |                                  |
|----|----------------------------------|
| BF | Burkina Faso                     |
| BG | Bulgaria                         |
| BH | Bahrain                          |
| BI | Burundi                          |
| BJ | Benin                            |
| BL | Saint Barthélemy                 |
| BM | Bermuda                          |
| BN | Brunei Darussalam                |
| BO | Bolivia (Plurinational State of) |
| BQ | Bonaire, Sint Eustatius and Saba |
| BR | Brazil                           |
| BS | Bahamas                          |
| BT | Bhutan                           |
| BV | Bouvet Island                    |
| BW | Botswana                         |
| BY | Belarus                          |
| BZ | Belize                           |
| CA | Canada                           |
| CC | Cocos (Keeling) Islands          |
| CD | Congo, Democratic Republic of    |
| CF | Central African Republic         |
| CG | Congo                            |
| CH | Switzerland                      |
| CI | Cote D'Ivoire                    |
| CK | Cook Islands                     |
| CL | Chile                            |
| CM | Cameroon                         |
| CN | China                            |
| CO | Colombia                         |
| CR | Costa Rica                       |
| CU | Cuba                             |
| CV | Cape Verde                       |
| CW | Curaçao                          |

**Used Codes**

|    |  |
|----|--|
| CX | Christmas Island                                     |
| CY | Cyprus   |
| CZ | Czechia  |
| DE | Germany  |
| DJ | Djibouti   |
| DK | Denmark  |
| DM | Dominica   |
| DO | Dominican Republic                                   |
| DZ | Algeria  |
| EC | Ecuador  |
| EE | Estonia  |
| EG | Egypt  |
| EH | Western Sahara                                       |
| ER | Eritrea  |
| ES | Spain  |
| ET | Ethiopia   |
| FI | Finland  |
| FJ | Fiji   |
| FK | Falkland Islands (Malvinas)                          |
| FM | Micronesia (Federated States of)                     |
| FO | Faroe Islands  |
| FR | France   |
| GA | Gabon  |
| GB | United Kingdom of Great Britain and Northern Ireland |
| GD | Grenada  |
| GE | Georgia  |
| GF | French Guiana  |
| GG | Guernsey   |
| GH | Ghana  |
| GI | Gibraltar  |
| GL | Greenland  |
| GM | Gambia   |
| GN | Guinea   |

**Used Codes**

---

|    |  |
|----|--|
| GP | Guadeloupe                                   |
| GQ | Equatorial Guinea                            |
| GR | Greece                                       |
| GS | South Georgia and the South Sandwich Islands |
| GT | Guatemala                                    |
| GU | Guam   |
| GW | Guinea-Bissau                                |
| GY | Guyana                                       |
| HK | Hong Kong                                    |
| HM | Heard Island and Mcdonald Islands            |
| HN | Honduras                                     |
| HR | Croatia                                      |
| HT | Haiti  |
| HU | Hungary                                      |
| ID | Indonesia                                    |
| IE | Ireland                                      |
| IL | Israel                                       |
| IM | Isle Of Man                                  |
| IN | India  |
| IO | British Indian Ocean Territory               |
| IQ | Iraq   |
| IR | Iran (Islamic Republic of)                   |
| IS | Iceland                                      |
| IT | Italy  |
| JE | Jersey                                       |
| JM | Jamaica                                      |
| JO | Jordan                                       |
| JP | Japan  |
| KE | Kenya  |
| KG | Kyrgyzstan                                   |
| KH | Cambodia                                     |
| KI | Kiribati                                     |
| KM | Comoros                                      |

**Used Codes**

|    |  |
|----|--|
| KN | Saint Kitts and Nevis                      |
| KP | Korea (Democratic People'S Republic of)    |
| KR | Korea, Republic of                         |
| KW | Kuwait                                     |
| KY | Cayman Islands                             |
| KZ | Kazakhstan                                 |
| LA | Lao People'S Democratic Republic           |
| LB | Lebanon                                    |
| LC | Saint Lucia                                |
| LI | Liechtenstein                              |
| LK | Sri Lanka                                  |
| LR | Liberia                                    |
| LS | Lesotho                                    |
| LT | Lithuania                                  |
| LU | Luxembourg                                 |
| LV | Latvia                                     |
| LY | Libya                                      |
| MA | Morocco                                    |
| MC | Monaco                                     |
| MD | Moldova, Republic of                       |
| ME | Montenegro                                 |
| MF | Saint Martin (French Part)                 |
| MG | Madagascar                                 |
| MH | Marshall Islands                           |
| MK | Macedonia, the Former Yugoslav Republic of |
| ML | Mali                                       |
| MM | Myanmar                                    |
| MN | Mongolia                                   |
| MO | Macao                                      |
| MP | Northern Mariana Islands                   |
| MQ | Martinique                                 |
| MR | Mauritania                                 |
| MS | Montserrat                                 |

**Used Codes**

|    |                           |
|----|---------------------------|
| MT | Malta                     |
| MU | Mauritius                 |
| MV | Maldives                  |
| MW | Malawi                    |
| MX | Mexico                    |
| MY | Malaysia                  |
| MZ | Mozambique                |
| NA | Namibia                   |
| NC | New Caledonia             |
| NE | Niger                     |
| NF | Norfolk Island            |
| NG | Nigeria                   |
| NI | Nicaragua                 |
| NL | Netherlands               |
| NO | Norway                    |
| NP | Nepal                     |
| NR | Nauru                     |
| NU | Niue                      |
| NZ | New Zealand               |
| OM | Oman                      |
| PA | Panama                    |
| PE | Peru                      |
| PF | French Polynesia          |
| PG | Papua New Guinea          |
| PH | Philippines               |
| PK | Pakistan                  |
| PL | Poland                    |
| PM | Saint Pierre and Miquelon |
| PN | Pitcairn                  |
| PR | Puerto Rico               |
| PS | Palestine, State of       |
| PT | Portugal                  |
| PW | Palau                     |

**Used Codes**

|    |  |
|----|--|
| PY | Paraguay                                     |
| QA | Qatar  |
| RE | Reunion                                      |
| RO | Romania                                      |
| RS | Serbia                                       |
| RU | Russian Federation                           |
| RW | Rwanda                                       |
| SA | Saudi Arabia                                 |
| SB | Solomon Islands                              |
| SC | Seychelles                                   |
| SD | Sudan  |
| SE | Sweden                                       |
| SG | Singapore                                    |
| SH | Saint Helena, Ascension and Tristan da Cunha |
| SI | Slovenia                                     |
| SJ | Svalbard and Jan Mayen                       |
| SK | Slovakia                                     |
| SL | Sierra Leone                                 |
| SM | San Marino                                   |
| SN | Senegal                                      |
| SO | Somalia                                      |
| SR | Suriname                                     |
| SS | South Sudan                                  |
| ST | Sao Tome and Principe                        |
| SV | El Salvador                                  |
| SX | Sint Maarten (Dutch part)                    |
| SY | Syrian Arab Republic                         |
| SZ | Swaziland                                    |
| TC | Turks and Caicos Islands                     |
| TD | Chad   |
| TF | French Southern Territories                  |
| TG | Togo   |
| TH | Thailand                                     |



**Used Codes**

|    |                                      |
|----|--------------------------------------|
| TJ | Tajikistan                           |
| TK | Tokelau                              |
| TL | Timor-Leste                          |
| TM | Turkmenistan                         |
| TN | Tunisia                              |
| TO | Tonga                                |
| TR | Turkey                               |
| TT | Trinidad and Tobago                  |
| TV | Tuvalu                               |
| TW | Taiwan, Province of China            |
| TZ | Tanzania, United Republic of         |
| UA | Ukraine                              |
| UG | Uganda                               |
| UM | United States Minor Outlying Islands |
| US | United States of America             |
| UY | Uruguay                              |
| UZ | Uzbekistan                           |
| VA | Holy See                             |
| VC | Saint Vincent and the Grenadines     |
| VE | Venezuela (Bolivarian Republic of)   |
| VG | Virgin Islands, British              |
| VI | Virgin Islands, U.S.                 |
| VN | Viet Nam                             |
| VU | Vanuatu                              |
| WF | Wallis and Futuna                    |
| WS | Samoa                                |
| YE | Yemen                                |
| YT | Mayotte                              |
| ZA | South Africa                         |
| ZM | Zambia                               |
| ZW | Zimbabwe                             |

**3433**

Institution name code  
Code specifying the name of an institution.

**Used Codes**

|             |  |
|-------------|--|
| BK          | Bank (GS1 Permanent Code)<br>The financial institution being identified is a bank.               |
| PO          | Post office (GS1 Permanent Code)<br>The financial institution being identified is a post office. |
| <b>3453</b> | Language name code<br>Code specifying the language name.<br><br>Notes:<br>1. Use ISO 639-1988.   |
| AA          | Afar   |
| aa          | Afar   |
| AB          | Abkhazian  |
| ab          | Abkhazian  |
| AE          | Avestan  |
| ae          | Avestan  |
| AF          | Afrikaans  |
| af          | Afrikaans  |
| AK          | Akan   |
| ak          | Akan   |
| AM          | Amharic  |
| am          | Amharic  |
| AN          | Aragonese  |
| an          | Aragonese  |
| AR          | Arabic   |
| ar          | Arabic   |
| AS          | Assamese   |
| as          | Assamese   |
| AV          | Avaric   |
| av          | Avaric   |
| AY          | Aymara   |
| ay          | Aymara   |
| AZ          | Azerbaijani  |
| az          | Azerbaijani  |
| BA          | Bashkir  |

**Used Codes**

|    |  |
|----|--|
| ba | Bashkir  |
| BE | Belarusian   |
| be | Belarusian   |
| BG | Bulgarian  |
| bg | Bulgarian  |
| BH | Bihari   |
| bh | Bihari   |
| BI | Bislama  |
| bi | Bislama  |
| BM | Bambara  |
| bm | Bambara  |
| BN | Bengali  |
| bn | Bengali  |
| BO | Tibetan  |
| bo | Tibetan  |
| BR | Breton   |
| br | Breton   |
| BS | Bosnian  |
| bs | Bosnian  |
| CA | Catalan; Valencian   |
| ca | Catalan; Valencian   |
| CE | Chechen  |
| ce | Chechen  |
| CH | Chamorro   |
| ch | Chamorro   |
| CO | Corsican   |
| co | Corsican   |
| CR | Cree   |
| cr | Cree   |
| CS | Czech  |
| cs | Czech  |
| CU | Church Slavic; Old Slavonic; Church Slavonic; Old Bulgarian; Old Church Slavonic |

**Used Codes**

|    |  |
|----|--|
| cu | Church Slavic; Old Slavonic; Church Slavonic; Old Bulgarian; Old Church Slavonic |
| CV | Chuvash  |
| cv | Chuvash  |
| CY | Welsh  |
| cy | Welsh  |
| DA | Danish   |
| da | Danish   |
| DE | German   |
| de | German   |
| DV | Divehi; Dhivehi; Maldivian   |
| dv | Divehi; Dhivehi; Maldivian   |
| DZ | Dzongkha   |
| dz | Dzongkha   |
| EE | Ewe  |
| ee | Ewe  |
| EL | Greek; Modern (1453-)  |
| el | Greek; Modern (1453-)  |
| EN | English  |
| en | English  |
| EO | Esperanto  |
| eo | Esperanto  |
| ES | Spanish; Castilian   |
| es | Spanish; Castilian   |
| ET | Estonian   |
| et | Estonian   |
| EU | Basque   |
| eu | Basque   |
| FA | Persian  |
| fa | Persian  |
| FF | Fulah  |
| ff | Fulah  |
| FI | Finnish  |
| fi | Finnish  |

**Used Codes**

|    |                         |
|----|-------------------------|
| FJ | Fijian                  |
| fj | Fijian                  |
| FO | Faroese                 |
| fo | Faroese                 |
| FR | French                  |
| fr | French                  |
| FY | Western Frisian         |
| fy | Western Frisian         |
| GA | Irish                   |
| ga | Irish                   |
| GD | Gaelic; Scottish Gaelic |
| gd | Gaelic; Scottish Gaelic |
| GL | Galician                |
| gl | Galician                |
| GN | Guarani                 |
| gn | Guarani                 |
| GU | Gujarati                |
| gu | Gujarati                |
| GV | Manx                    |
| gv | Manx                    |
| HA | Hausa                   |
| ha | Hausa                   |
| HE | Hebrew                  |
| he | Hebrew                  |
| HI | Hindi                   |
| hi | Hindi                   |
| HO | Hiri Motu               |
| ho | Hiri Motu               |
| HR | Croatian                |
| hr | Croatian                |
| HT | Haitian; Haitian Creole |
| ht | Haitian; Haitian Creole |
| HU | Hungarian               |

**Used Codes**

|    |  |
|----|--|
| hu | Hungarian  |
| HY | Armenian   |
| hy | Armenian   |
| HZ | Herero   |
| hz | Herero   |
| IA | Interlingua (International Auxiliary Language Association) |
| ia | Interlingua (International Auxiliary Language Association) |
| ID | Indonesian   |
| id | Indonesian   |
| IE | Interlingue  |
| ie | Interlingue  |
| IG | Igbo   |
| ig | Igbo   |
| II | Sichuan Yi   |
| ii | Sichuan Yi   |
| IK | Inupiaq  |
| ik | Inupiaq  |
| IO | Ido  |
| io | Ido  |
| IS | Icelandic  |
| is | Icelandic  |
| IT | Italian  |
| it | Italian  |
| IU | Inuktiut   |
| iu | Inuktiut   |
| JA | Japanese   |
| ja | Japanese   |
| JV | Javanese   |
| jv | Javanese   |
| KA | Georgian   |
| ka | Georgian   |
| KG | Kongo  |
| kg | Kongo  |

**Used Codes**

|    |                                  |
|----|----------------------------------|
| KI | Kikuyu; Gikuyu                   |
| ki | Kikuyu; Gikuyu                   |
| KJ | Kuanyama; Kwanyama               |
| kj | Kuanyama; Kwanyama               |
| KK | Kazakh                           |
| kk | Kazakh                           |
| KL | Kalaallisut; Greenlandic         |
| kl | Kalaallisut; Greenlandic         |
| KM | Central Khmer                    |
| km | Central Khmer                    |
| KN | Kannada                          |
| kn | Kannada                          |
| KO | Korean                           |
| ko | Korean                           |
| KR | Kanuri                           |
| kr | Kanuri                           |
| KS | Kashmiri                         |
| ks | Kashmiri                         |
| KU | Kurdish                          |
| ku | Kurdish                          |
| KV | Komi                             |
| kv | Komi                             |
| KW | Cornish                          |
| kw | Cornish                          |
| KY | Kirghiz; Kyrgyz                  |
| ky | Kirghiz; Kyrgyz                  |
| LA | Latin                            |
| la | Latin                            |
| LB | Luxembourgish; Letzeburgesch     |
| lb | Luxembourgish; Letzeburgesch     |
| LG | Ganda                            |
| lg | Ganda                            |
| LI | Limburgan; Limburger; Limburgish |

**Used Codes**

|    |                                  |
|----|----------------------------------|
| li | Limburgan; Limburger; Limburgish |
| LN | Lingala                          |
| In | Lingala                          |
| LO | Lao                              |
| lo | Lao                              |
| LT | Lithuanian                       |
| lt | Lithuanian                       |
| LU | Luba-Katanga                     |
| lu | Luba-Katanga                     |
| LV | Latvian                          |
| lv | Latvian                          |
| MG | Malagasy                         |
| mg | Malagasy                         |
| MH | Marshallese                      |
| mh | Marshallese                      |
| MI | Maori                            |
| mi | Maori                            |
| MK | Macedonian                       |
| mk | Macedonian                       |
| ML | Malayalam                        |
| ml | Malayalam                        |
| MN | Mongolian                        |
| mn | Mongolian                        |
| MO | Moldavian; Moldovan              |
| mo | Moldavian; Moldovan              |
| MR | Marathi                          |
| mr | Marathi                          |
| MS | Malay                            |
| ms | Malay                            |
| MT | Maltese                          |
| mt | Maltese                          |
| MY | Burmese                          |
| my | Burmese                          |



**Used Codes**

|    |                                       |
|----|---------------------------------------|
| NA | Nauru                                 |
| na | Nauru                                 |
| NB | Bokmal Norwegian; Norwegian Bokmal    |
| nb | Bokmal Norwegian; Norwegian Bokmal    |
| ND | Ndebele; North; North Ndebele         |
| nd | Ndebele; North; North Ndebele         |
| NE | Nepali                                |
| ne | Nepali                                |
| NG | Ndonga                                |
| ng | Ndonga                                |
| NL | Dutch; Flemish                        |
| nl | Dutch; Flemish                        |
| NN | Norwegian Nynorsk; Nynorsk, Norwegian |
| nn | Norwegian Nynorsk; Nynorsk, Norwegian |
| NO | Norwegian                             |
| no | Norwegian                             |
| NR | Ndebele; South; South Ndebele         |
| nr | Ndebele; South; South Ndebele         |
| NV | Navajo; Navaho                        |
| nv | Navajo; Navaho                        |
| NY | Chichewa; Chewa; Nyanja               |
| ny | Chichewa; Chewa; Nyanja               |
| OC | Occitan (post 1500); Provençal        |
| oc | Occitan (post 1500); Provençal        |
| OJ | Ojibwa                                |
| oj | Ojibwa                                |
| OM | Oromo                                 |
| om | Oromo                                 |
| OR | Oriya                                 |
| or | Oriya                                 |
| OS | Ossetian; Ossetic                     |
| os | Ossetian; Ossetic                     |
| PA | Panjabi; Punjabi                      |

**Used Codes**

|    |                    |
|----|--------------------|
| pa | Panjabi; Punjabi   |
| PI | Pali               |
| pi | Pali               |
| PL | Polish             |
| pl | Polish             |
| PS | Pushto; Pashto     |
| ps | Pushto; Pashto     |
| PT | Portuguese         |
| pt | Portuguese         |
| QU | Quechua            |
| qu | Quechua            |
| RM | Romansh            |
| rm | Romansh            |
| RN | Rundi              |
| rn | Rundi              |
| RO | Romanian           |
| ro | Romanian           |
| RU | Russian            |
| ru | Russian            |
| RW | Kinyarwanda        |
| rw | Kinyarwanda        |
| SA | Sanskrit           |
| sa | Sanskrit           |
| SC | Sardinian          |
| sc | Sardinian          |
| SD | Sindhi             |
| sd | Sindhi             |
| SE | Northern Sami      |
| se | Northern Sami      |
| SG | Sango              |
| sg | Sango              |
| SI | Sinhala; Sinhalese |
| si | Sinhala; Sinhalese |

**Used Codes**

|    |                 |
|----|-----------------|
| SK | Slovak          |
| sk | Slovak          |
| SL | Slovenian       |
| sl | Slovenian       |
| SM | Samoan          |
| sm | Samoan          |
| SN | Shona           |
| sn | Shona           |
| SO | Somali          |
| so | Somali          |
| SQ | Albanian        |
| sq | Albanian        |
| SR | Serbian         |
| sr | Serbian         |
| SS | Swati           |
| ss | Swati           |
| ST | Sotho, Southern |
| st | Sotho, Southern |
| SU | Sundanese       |
| su | Sundanese       |
| SV | Swedish         |
| sv | Swedish         |
| SW | Swahili         |
| sw | Swahili         |
| TA | Tamil           |
| ta | Tamil           |
| TE | Telugu          |
| te | Telugu          |
| TG | Tajik           |
| tg | Tajik           |
| TH | Thai            |
| th | Thai            |
| TI | Tigrinya        |

**Used Codes**

|    |                       |
|----|-----------------------|
| ti | Tigrinya              |
| TK | Turkmen               |
| tk | Turkmen               |
| TL | Tagalog               |
| tl | Tagalog               |
| TN | Tswana                |
| tn | Tswana                |
| TO | Tonga (Tonga Islands) |
| to | Tonga (Tonga Islands) |
| TR | Turkish               |
| tr | Turkish               |
| TS | Tsonga                |
| ts | Tsonga                |
| TT | Tatar                 |
| tt | Tatar                 |
| TW | Twi                   |
| tw | Twi                   |
| TY | Tahitian              |
| ty | Tahitian              |
| UG | Uighur; Uyghur        |
| ug | Uighur; Uyghur        |
| UK | Ukrainian             |
| uk | Ukrainian             |
| UR | Urdu                  |
| ur | Urdu                  |
| UZ | Uzbek                 |
| uz | Uzbek                 |
| VE | Venda                 |
| ve | Venda                 |
| VI | Vietnamese            |
| vi | Vietnamese            |
| VO | Volapük               |
| vo | Volapük               |

**Used Codes**

|    |                |
|----|----------------|
| WA | Walloon        |
| wa | Walloon        |
| WO | Wolof          |
| wo | Wolof          |
| XH | Xhosa          |
| xh | Xhosa          |
| YI | Yiddish        |
| yi | Yiddish        |
| YO | Yoruba         |
| yo | Yoruba         |
| ZA | Zhuang; Chuang |
| za | Zhuang; Chuang |
| ZH | Chinese        |
| zh | Chinese        |
| ZU | Zulu           |
| zu | Zulu           |

**4441**

Free text value code  
Code specifying free form text.

78E

Proof Of Delivery (GS1 Permanent Code)  
The mentioned URL refers to a Proof of Delivery document.  
This Code value can be used if DE 4451 of the FTX segment is ZXL.

**4451**

Text subject code qualifier  
Code qualifying the subject of the text.

1E

Additional product information address (GS1 Temporary Code)  
Address at which additional information on the product can be found.  
GS1 Note: Code marked for deletion. Use value BAI instead.

2E

VAT exemption (GS1 Temporary Code)  
VAT exemption reason in clear text.  
GS1 Note: Code marked for deletion. Use value BAQ instead.

3E

Tracking URL (GS1 Temporary Code)  
The internet link (URL) to track the delivery of a specific package or consignment.

AAA

Goods description  
[7002] Plain language description of the nature of the goods sufficient to identify them at the level required for banking, Customs, statistical or transport purposes, avoiding unnecessary detail (Generic term).

**Used Codes**

|     |   |
|-----|---|
| AAB | Terms of payments<br>[4276] Conditions of payment between the parties to a transaction (generic term).  |
| AAC | Dangerous goods additional information<br>Additional information concerning dangerous goods.  |
| AAD | Dangerous goods, technical name<br>Proper shipping name, supplemented as necessary with the correct technical name, by which a dangerous substance or article may be correctly identified or which is sufficiently informative to permit identification by reference to generally available literature. |
| AAG | Party instructions<br>Indicates that the segment contains instructions to be passed on to the identified party.   |
| AAI | General information<br>The text contains general information.   |
| AAK | Price conditions<br>Information on the price conditions that are expected or given.   |
| AAM | Equipment re-usage restrictions<br>Technical or commercial reasons why a piece of equipment may not be re-used after the current transport terminates.  |
| AAN | Handling restriction<br>Restrictions in handling depending on the technical characteristics of the piece of equipment or on the nature of the goods.  |
| AAO | Error description (free text)<br>Error described by a free text.  |
| AAR | Terms of delivery<br>(4053) Free text of the non Incoterms terms of delivery. For Incoterms, use: 4053.   |
| AAW | Letter of credit information<br>Information pertaining to the letter of credit.   |
| AAZ | Additional export information<br>The text contains additional export information.   |
| ABN | Accounting information<br>Self explanatory.<br>GS1 Description:<br>Free text information regarding account.   |
| ABO | Discrepancy information<br>Free text or coded information to indicate a specific discrepancy.   |
| ABU | Deferred payment termed additional<br>Additional terms concerning deferred payment.   |

**Used Codes**

|     |   |
|-----|---|
| ACB | Additional information<br>The text contains additional information.   |
| ACD | Reason<br>Reason for a request or response.   |
| ACE | Dispute<br>A notice, usually from buyer to seller, that something was found wrong with goods delivered or the services rendered, or with the related invoice.           |
| ACF | Additional attribute information<br>The text refers to information about an additional attribute not otherwise specified.   |
| ACL | Quality Statement Code<br>A statement on the quality of an object.  |
| ADK | Promotion information<br>The text contains information about a promotion.   |
| ADL | Meter condition<br>Description of the condition of a meter.   |
| ADM | Meter reading information<br>Information related to a particular reading of a meter.  |
| ADS | Booked item information (SWIFT Code)<br>Information pertaining to a booked item.<br>GS1 Description:<br>Information related to an item booked onto a financial account. |
| AEI | Instructions to the applicant<br>Instructions given to the applicant.   |
| AFF | Batch code structure<br>A description of the structure of a batch code.   |
| AFG | Product application<br>A general description of the application of a product.   |
| AGW | Location<br>Description of a location.  |
| AGZ | Marketing activities<br>Information concerning marketing activities.  |
| AIP | Question<br>A free text question.   |
| AIQ | Party information<br>Free text information related to a party.  |
| AIX | Warranty terms<br>Text describing the terms of warranty which apply to a product or service.  |

## Used Codes

---

|     |   |
|-----|---|
| ALL | All documents<br>The note implies to all documents.   |
| BAI | Additional product information address<br>Address at which additional information on the product can be found.<br>GS1 Note: Replaces GS1 Temporary Code 1E.                       |
| BAJ | Information to be printed on despatch advice<br>Specification of free text information which is to be printed on a despatch advice.<br>GS1 Note: Replaces GS1 Temporary Code DSI. |
| BAK | Missing goods remarks<br>Remarks concerning missing goods.<br>GS1 Note: Replaces GS1 Temporary Code MIS.  |
| BAL | Non-acceptance information<br>Information related to the non-acceptance of an order, goods or a consignment.<br>GS1 Note: Replaces GS1 Temporary Code NAI.                        |
| BAM | Returns information<br>Information related to the return of items.<br>GS1 Note: Replaces GS1 Temporary Code RTI.  |
| BAN | Sub-line item<br>Note contains information related to sub-line item data.<br>GS1 Note: Replaces GS1 Temporary Code SID.   |
| BAO | Test information<br>Information of a test.<br>GS1 Note: Replaces GS1 Temporary Code TIN.  |
| BAP | External link<br>The external link to a digital document (e.g.: URL)<br>GS1 Note: Replaces GS1 Temporary Code ZXL.  |
| BAQ | VAT exemption reason<br>The reason for Value Added Tax exemption.<br>GS1 Note: Replaces GS1 Temporary Code 2E.  |
| BLR | Transport document remarks<br>Remarks concerning the complete consignment to be printed on the bill of lading.  |
| BLV | B2C marketing information, short description<br>Consumer marketing information, short description.  |
| BLW | B2B marketing information, long description<br>Trading partner marketing information, long description.   |
| BLX | B2C marketing information, long description<br>Consumer marketing information, long description.  |



## Used Codes

---

|     |  |
|-----|--|
| BLY | <p>Product ingredients</p> <p>Information on the ingredient make up of the product.</p> <p>Information on the constituent ingredient make up of the product specified as one string.</p> <p>Example:<br/>FTX+ING+1+ +Tomato puree (54%), water, onions (9%), sunflower seed oil'<br/>FTX+ING+1+ +(cold pressed, untempered, unrefined) (10%), corn syrup (2%), soy protein (12%) .....:++EN'</p> |
| CHG | <p>Change information</p> <p>Note contains change information.</p>   |
| CIP | <p>Customs clearance instruction import</p> <p>Any coded or clear instruction agreed by customer and carrier regarding the import declaration of the goods.</p>  |
| CLR | <p>Loading remarks</p> <p>Instructions concerning the loading of the container.</p>  |
| CUS | <p>Customs declaration information</p> <p>Note contains customs declaration information.</p>   |
| DAR | <p>Damage remarks</p> <p>Remarks concerning damage on the cargo.</p>   |
| DEL | <p>Delivery information</p> <p>Information about delivery.</p>   |
| DIN | <p>Delivery instructions</p> <p>Instructions regarding the delivery of the cargo.</p>  |
| DSI | <p>Information to be printed on despatch advice (GS1 Temporary Code)</p> <p>Specification of free text information which is to be printed on a despatch advice.</p> <p>GS1 Note: Code marked for deletion. Use value BAJ instead.</p>  |
| DUT | <p>Duty declaration</p> <p>The text contains a statement constituting a duty declaration.</p>  |
| GEN | <p>Entire transaction set</p> <p>Note is general in nature, applies to entire transaction segment.</p>   |
| HAN | <p>Handling instructions</p> <p>[4078] Instructions on how specified goods, packages or containers should be handled.</p>  |
| HAZ | <p>Hazard information</p> <p>Information pertaining to a hazard.</p>   |
| IIN | <p>Insurance instructions</p> <p>Instructions regarding the cargo insurance.</p>   |

**Used Codes**

|     |   |
|-----|---|
| INS | Insurance information<br>Specific note contains insurance information.  |
| INV | Invoice instruction<br>Note contains invoice instructions.  |
| ITS | Testing instructions<br>Instructions regarding the testing that is required to be carried out on the items in the transaction.  |
| LIN | Line item<br>Note contains line item information.   |
| LOI | Loading instruction<br>Instructions where specified packages or containers are to be loaded on a means of transport.  |
| MIS | Missing goods remarks (GS1 Temporary Code)<br>Remarks concerning missing goods.<br>GS1 Note: Code marked for deletion. Use value BAK instead.   |
| MKS | Additional marks/numbers information<br>Additional information regarding the marks and numbers.   |
| NAI | Non-acceptance information (GS1 Temporary Code)<br>Information related to the non-acceptance of an order, goods or a consignment.<br>GS1 Note: Code marked for deletion. Use value BAL instead. |
| ORI | Order instruction<br>Free text contains order instructions.   |
| OSI | Other service information<br>General information created by the sender of general or specific value.  |
| PAC | Packing/marking information<br>Information regarding the packaging and/or marking of goods.   |
| PAY | Payables information<br>Note contains payables information.   |
| PKG | Packaging information<br>Note contains packaging information.<br>GS1 Description:<br>Note contains packaging instructions.  |
| PMD | Payment detail/remittance information<br>The free text contains payment details.  |
| PMT | Payment information<br>Note contains payments information.  |
| PRD | Product information<br>The text contains product information.   |

## Used Codes

|     |  |
|-----|--|
| PRF | Price calculation formula<br>Additional information regarding the price formula used for calculating the item price.   |
| PRI | Priority information<br>Note contains priority information.  |
| PUR | Purchasing information<br>Note contains purchasing information.  |
| QQD | Quality demands/requirements<br>Specification of the quality/performance expectations or standards to which the items must conform.  |
| QUT | Quotation instruction/information<br>Note contains quotation information.  |
| REG | Regulatory information<br>The free text contains information for regulatory authority.   |
| RET | Return to origin information<br>Free text information on an IATA Air Waybill to indicate consignment returned because of non delivery.   |
| REV | Receivables<br>The text contains receivables information.  |
| RQR | Requested routes/routing instructions<br>[3074] Names of places via which the consignor requests a consignment to be routed.   |
| RQT | Tariffs and route requested<br>[4120] Stipulation of the tariffs to be applied showing, where applicable, special-agreement numbers or references; indication of routes by frontier points or by frontier stations and, when necessary, by transit stations between. |
| RTI | Returns information (GS1 Temporary Code)<br>Information related to the return of goods.<br>GS1 Note: Code marked for deletion. Use value BAM instead.  |
| SAF | Safety information<br>The text contains safety information.  |
| SIC | Sender's instruction to carrier<br>[4284] Instructions given and declarations made by the sender to the carrier concerning Customs, insurance, and other formalities.  |
| SID | Sub line item (GS1 Temporary Code)<br>Note contains information related to sub line item data.<br>GS1 Note: Code marked for deletion. Use value BAN instead.   |
| SIN | Special instructions<br>Special instructions like licence no, high value, handle with care, glass.   |

## Used Codes

---

|             |   |
|-------------|---|
| SPH         | Special handling<br>Note contains special handling information.   |
| SSR         | Special service request<br>Request for a special service concerning the transport of the goods.   |
| SUR         | Supplier remarks<br>Remarks from or for a supplier of goods or services.  |
| TIN         | Test information (GS1 Temporary Code)<br>Information related to a test which will be, or has been, carried out.<br>GS1 Note: Code marked for deletion. Use value BAO instead.   |
| TRA         | Transportation information<br>General information regarding the transport of the cargo.   |
| TXD         | Tax declaration<br>The text contains a statement constituting a tax declaration.  |
| WHI         | Warehouse instruction/information<br>Note contains warehouse information.   |
| XYZ         | No partial delivery (GS1 Temporary Code)<br>The goods that are not delivered have to be re-ordered by the buyer. Supplier only delivers the goods they have in stock at that moment. One order leads to one delivery.   |
| ZXL         | External link (GS1 Temporary code)<br>The external link to a digital document (e.g.: URL)<br>GS1 Note 1: This Code value can be used if no EFI segment is available. If the type of the referenced document (e.g. proof-of-delivery.pdf) can be identified by a code value of DE 1001, this code value should be used to fill DE 4441. (e.g. 78E), DE 3055 = 9.<br>GS1 Note 2: Code marked for deletion. Use value BAP instead. |
| ZYZ         | Partial delivery allowed (GS1 Temporary Code)<br>The supplier keeps delivering until the entire order is fulfilled. One order can lead to many deliveries. The buyer doesn't need to place a new order; they just waits for the other goods to be delivered.  |
| ZZZ         | Mutually defined<br>Note contains information mutually defined by trading partners.   |
| <b>4453</b> | Free text function code<br>Code specifying the function of free text.   |
| 1           | Text for subsequent use<br>The occurrence of this text does not affect message processing.  |
| 2           | Text replacing missing code<br>Text description of a coded data item for which there is no currently available code.  |

## Used Codes

---

|             |   |
|-------------|---|
| 3           | Text for immediate use<br>Text must be read before actioning message.   |
| <b>5025</b> | Monetary amount type code qualifier<br>Code qualifying the type of monetary amount.   |
| 9           | Amount due/amount payable<br>Amount to be paid.   |
| 36          | Converted amount<br>The amount is converted from another currency.  |
| 57          | Equivalent amount<br>This amount is equivalent to the amount to be transferred, but in another currency.  |
| 60          | Final (posted) amount<br>The amount posted to an account, finally, after charges/allowances.  |
| 77          | Invoice amount<br>[5068] Total sum charged in respect of a single Invoice in accordance with the terms of delivery.   |
| 98          | Original amount<br>Original amount, without charges, allowances or adjustment.  |
| 119         | Received amount<br>The amount is what the bank received, and the one before charges/allowances.   |
| <b>5495</b> | Sub-line indicator code<br>Code indicating a sub-line item.   |
| 1           | Sub-line information<br>Code indicating a sub-line item.  |
| <b>6069</b> | Control total type code qualifier<br>Code qualifying the type of control of hash total.   |
| 1           | Total value of the quantity segments at line level in a message<br>Self-explanatory.<br>GS1 Description:<br>The total value of all QTY segments at line level within a message. |
| 2           | Number of line items in message<br>Self-explanatory.<br>GS1 Description:<br>The total number of LIN segments in a message.  |
| 7           | Total gross weight<br>Code to indicate total gross weight of a consignment.   |

**Used Codes**

|    |   |
|----|---|
| 10 | Total number of consignments<br>The total number of consignments.   |
| 11 | Total number of packages<br>Total number of packages of the entire consignment.   |
| 15 | Total consignment, cube<br>The total cube of consignment.   |
| 16 | Total number of equipment<br>Total number of equipment mentioned in the message.  |
| 26 | Total gross measurement/cube<br>Total gross cubic measurement of the goods, including packing but excluding transport equipment.  |
| 27 | Total number of credit items given for control purposes<br>Total number of credit items given for control purposes.   |
| 28 | Total number of debit items given for control purposes<br>Total number of debit items given for control purposes.   |
| 29 | Total net weight of consignment<br>A code to indicate the total net weight of a consignment.  |
| 30 | Total number of empty containers<br>The total number of empty containers mentioned in the message.  |
| 31 | Number of messages<br>Control count of the number of messages referenced.<br>GS1 Description:<br>Control count of the number of messages or documents referenced.                   |
| 32 | Total gross weight of the goods within the means of transport<br>Weight (mass) of the goods within the means of transport, including packing and excluding the carrier's equipment. |
| 40 | Total number of sequence details in message<br>The total number of sequence details in the message.   |
| 47 | Total wholesaler unsold quantity<br>Total quantity of unsold goods held by the wholesaler.  |
| 48 | Total quantity held by delivery vehicles<br>Total quantity held by the delivery vehicles.   |
| 49 | Total quantity held by retail outlets<br>Total quantity held by the retail outlets.   |
| 50 | Total rejected return quantity<br>The total quantity for return which have been rejected.   |

**Used Codes**

|             |  |
|-------------|--|
| 51          | Number of goods items in the message<br>The total number of goods items in a message.<br>GS1 Description:<br>The total number of GID segments in a message.                      |
| 56          | Total number of transport units<br>Number of separate units of cargo handled during transportation of a consignment.<br>EDIFACT  |
| 57          | Total loading metres<br>The total number of loading metres.  |
| 62          | Number of premises<br>A code to indicate the total number of premises detailed in the message.<br>GS1 Note: Replaces GS1 Temporary Code 31E.                                     |
| 63          | Number of meters<br>The total number of meters.<br>GS1 Note: Replaces GS1 Temporary Code 36E.  |
| 64          | Total number of pallet places<br>Total number of places needed to load the pallets of the entire consignment.  |
| 31E         | Number of premises (GS1 Temporary Code)<br>A code to indicate the total number of premises detailed in the message.<br>GS1 Note: Code marked for deletion. Use value 62 instead. |
| 36E         | Number of meters (GS1 Temporary Code)<br>The total number of meters within premises.<br>GS1 Note: Code marked for deletion. Use value 63 instead.                                |
| <b>6345</b> | Currency identification code<br>Code specifying a monetary unit.<br><br>Notes:<br>1. Use ISO 4217 three alpha code.  |
| AED         | Dirham   |
| AFN         | Afghani  |
| ALL         | Lek  |
| AMD         | Dram   |
| ANG         | Netherlands Antillian Guilder  |
| AOA         | Kwanza   |
| ARS         | Argentine Peso   |
| AUD         | Australian Dollar  |
| AWG         | Aruban Florin  |
| AZN         | Azerbaijan Manat   |

**Used Codes**

|     |  |
|-----|--|
| BAM | Convertible Mark                               |
| BBD | Barbados Dollar                                |
| BDT | Taka   |
| BGN | Bulgarian Lev                                  |
| BHD | Bahraini Dinar                                 |
| BIF | Burundi Franc                                  |
| BMD | Bermudian Dollar (customarily: Bermuda Dollar) |
| BND | Brunei Dollar                                  |
| BOB | Boliviano                                      |
| BOV | Mvdol  |
| BRL | Brazilian Real                                 |
| BSD | Bahamian Dollar                                |
| BTN | Ngultrum                                       |
| BWP | Pula   |
| BYN | Belarussian Ruble                              |
| BZD | Belize Dollar                                  |
| CAD | Canadian Dollar                                |
| CDF | Franc Congolais                                |
| CHE | WIR Euro                                       |
| CHF | Swiss Franc                                    |
| CHW | WIR Franc                                      |
| CLF | Unidad de Fomento                              |
| CLP | Chilean Peso                                   |
| CNY | Yuan Renminbi                                  |
| COP | Colombian Peso                                 |
| COU | Unidad de Valor Real                           |
| CRC | Costa Rican Colon                              |
| CUC | Peso Convertible                               |
| CUP | Cuban Peso                                     |
| CVE | Cabo Verde Escudo                              |
| CZK | Czech Koruna                                   |
| DJF | Djibouti Franc                                 |
| DKK | Danish Krone                                   |



**Used Codes**

|     |                        |
|-----|------------------------|
| DOP | Dominican Peso         |
| DZD | Algerian Dinar         |
| EGP | Egyptian Pound         |
| ERN | Nakfa                  |
| ETB | Ethopian Birr          |
| EUR | Euro                   |
| FJD | Fiji Dollar            |
| FKP | Falkland Islands Pound |
| GBP | Pound Sterling         |
| GEL | Lari                   |
| GHS | Ghana Cedi             |
| GIP | Gibraltar Pound        |
| GMD | Dalasi                 |
| GNF | Guinean Franc          |
| GTQ | Quetzal                |
| GYD | Guyana Dollar          |
| HKD | Honk Kong Dollar       |
| HNL | Lempira                |
| HRK | Kuna                   |
| HTG | Gourde                 |
| HUF | Forint                 |
| IDR | Rupiah                 |
| ILS | New Israeli Sheqel     |
| INR | Indian Rupee           |
| IQD | Iraqi Dinar            |
| IRR | Iranian Rial           |
| ISK | Iceland Krona          |
| JMD | Jamaican Dollar        |
| JOD | Jordanian Dinar        |
| JPY | Yen                    |
| KES | Kenyan Shilling        |
| KGS | Som                    |
| KHR | Riel                   |

**Used Codes**

|     |                                   |
|-----|-----------------------------------|
| KMF | Comorian Franc                    |
| KPW | North Korean Won                  |
| KRW | Won                               |
| KWD | Kuwaiti Dinar                     |
| KYD | Cayman Islands Dollar             |
| KZT | Tenge                             |
| LAK | Lao Kip                           |
| LBP | Lebanese Pound                    |
| LKR | Sri Lanka Rupee                   |
| LRD | Liberian Dollar                   |
| LSL | Loti                              |
| LYD | Libyan Dinar                      |
| MAD | Moroccan Dirham                   |
| MDL | Moldovan Leu                      |
| MGA | Ariary                            |
| MKD | Denar                             |
| MMK | Kyat                              |
| MNT | Tugrik                            |
| MOP | Pataca                            |
| MRU | Ouguiya                           |
| MUR | Mauritius Rupee                   |
| MVR | Rufiyaa                           |
| MWK | Malawi Kwacha                     |
| MXN | Mexican Peso                      |
| MXV | Mexican Unidad de Inversion (UDI) |
| MYR | Malaysian Ringgit                 |
| MZN | Mozambique Metical                |
| NAD | Namibia Dollar                    |
| NGN | Naira                             |
| NIO | Cordoba Oro                       |
| NOK | Norwegian Krone                   |
| NPR | Nepalese Rupee                    |
| NZD | New Zealand Dollar                |

**Used Codes**

|     |  |
|-----|--|
| OMR | Rial Omani   |
| PAB | Balboa   |
| PEN | Sol  |
| PGK | Kina   |
| PHP | Philippine Piso  |
| PKR | Pakistan Rupee   |
| PLN | Zloty  |
| PYG | Guarani  |
| QAR | Qatari Rial  |
| RON | Romanian Leu<br>This currency code is effective from 1 July 2005 |
| RSD | Serbian Dinar  |
| RUB | Russian Ruble  |
| RWF | Rwanda Franc   |
| SAR | Saudi Riyal  |
| SBD | Solomon Islands Dollar   |
| SCR | Seychelles Rupee   |
| SDG | Sudanese Pound   |
| SEK | Swedish Krona  |
| SGD | Singapore Dollar   |
| SHP | St. Helena Pound   |
| SLL | Leone  |
| SOS | Somali Shilling  |
| SRD | Suriname Dollar  |
| SSP | South Sudanese Pound   |
| STN | Dobra  |
| SVC | El Salvador Colon  |
| SYP | Syrian Pound   |
| SZL | Lilangeni  |
| THB | Baht   |
| TJS | Somoni   |
| TMT | Turkmenistan New Manat   |
| TND | Tunisian Dinar   |

**Used Codes**

|     |  |
|-----|--|
| TOP | Pa'anga  |
| TRY | Turkish Lira                                       |
| TTD | Trinidad and Tobago Dollar                         |
| TWD | New Taiwan Dollar                                  |
| TZS | Tanzanian Shilling                                 |
| UAH | Hryvnia  |
| UGX | Uganda Shilling                                    |
| USD | US Dollar  |
| USN | US Dollar (Next day)                               |
| UYI | Uruguayo Peso en Unidades                          |
| UYU | Peso Uruguayo                                      |
| UYW | Unidad Previsional                                 |
| UZS | Uzbekistan Sum                                     |
| VES | Bolívar Soberano                                   |
| VND | Dong   |
| VUV | Vatu   |
| WST | Tala   |
| XAF | CFA Franc  |
| XAG | Silver   |
| XAU | Gold   |
| XBA | Bond Markets Units European Composite Unit (EURCO) |
| XBB | European Monetary Unit (E.M.U.-6)                  |
| XBC | European Unit of Account 9 (E.U.A.-9)              |
| XBD | European Unit of Account 17 (E.U.A.-17)            |
| XCD | East Carribean Dollar                              |
| XDR | SDR  |
| XOF | CFA Franc  |
| XPD | Palladium  |
| XPF | CFP Franc  |
| XPT | Platinum   |
| XSU | Sucre  |
| XTS | Codes specifically reserved for testing purposes   |
| XUA | ADB Unit of Account                                |

**Used Codes**

|             |  |
|-------------|--|
| XXX         | The codes assigned for transactions where no currency is involved  |
| YER         | Yemeni Rial  |
| ZAR         | Rand   |
| ZMW         | Zambian Kwacha   |
| ZWL         | Zimbabwe Dollar<br>(effective 1 February 2009)   |
| <b>6347</b> | Currency usage code qualifier<br>Code qualifying the usage of a currency.  |
| 2           | Reference currency<br>The currency applicable to amounts stated. It may have to be converted.  |
| 3           | Target currency<br>The currency which should be used to the target destination of the transaction.   |
| <b>6411</b> | Measurement unit code<br>Code specifying the unit of measurement.  |
|             | Notes:<br>  1. Recommend use UN/ECE Recommendation 20, Common code.  |
| 10          | group<br>A unit of count defining the number of groups (group: set of items classified together).  |
| 11          | outfit<br>A unit of count defining the number of outfits (outfit: a complete set of equipment / materials / objects used for a specific purpose).              |
| 13          | ration<br>A unit of count defining the number of rations (ration: a single portion of provisions).   |
| 14          | shot<br>A unit of liquid measure, especially related to spirits.   |
| 15          | stick, military<br>A unit of count defining the number of military sticks (military stick: bombs or paratroops released in rapid succession from an aircraft). |
| 20          | twenty foot container<br>A unit of count defining the number of shipping containers that measure 20 foot in length.  |
| 21          | forty foot container<br>A unit of count defining the number of shipping containers that measure 40 foot in length.   |
| 22          | decilitre per gram   |

**Used Codes**

|    |  |
|----|--|
| 23 | gram per cubic centimetre  |
| 24 | theoretical pound<br>A unit of mass defining the expected mass of material expressed as the number of pounds.    |
| 25 | gram per square centimetre   |
| 27 | theoretical ton<br>A unit of mass defining the expected mass of material, expressed as the number of tons.       |
| 28 | kilogram per square metre  |
| 33 | kilopascal square metre per gram   |
| 34 | kilopascal per millimetre  |
| 35 | millilitre per square centimetre second  |
| 37 | ounce per square foot  |
| 38 | ounce per square foot per 0,01inch   |
| 40 | millilitre per second  |
| 41 | millilitre per minute  |
| 56 | sitas<br>A unit of area for tin plate equal to a surface area of 100 square metres.                              |
| 57 | mesh<br>A unit of count defining the number of strands per inch as a measure of the fineness of a woven product. |
| 58 | net kilogram<br>A unit of mass defining the total number of kilograms after deductions.                          |
| 59 | part per million<br>A unit of proportion equal to 10 to the power of -6.   |
| 60 | percent weight<br>A unit of proportion equal to 10 to the power of -2.   |
| 61 | part per billion (US)<br>A unit of proportion equal to 10 to the power of -9.                                    |
| 64 | pound per square inch, gauge   |
| 66 | oersted  |
| 74 | millipascal  |
| 76 | gauss  |
| 77 | milli-inch   |
| 78 | kilogauss  |
| 80 | pound per square inch absolute   |

**Used Codes**

|    |  |
|----|--|
| 81 | henry  |
| 84 | kilopound-force per square inch<br>A unit of pressure defining the number of kilopounds force per square inch.<br>Use kip per square inch (common code N20). |
| 85 | foot pound-force   |
| 87 | pound per cubic foot   |
| 89 | poise  |
| 91 | stokes   |
| 1I | fixed rate<br>A unit of quantity expressed as a predetermined or set rate for usage of a facility or service.  |
| 2A | radian per second<br>Refer ISO/TC12 SI Guide   |
| 2B | radian per second squared<br>Refer ISO/TC12 SI Guide   |
| 2C | roentgen   |
| 2G | volt AC<br>A unit of electric potential in relation to alternating current (AC).   |
| 2H | volt DC<br>A unit of electric potential in relation to direct current (DC).  |
| 2I | British thermal unit (international table) per hour  |
| 2J | cubic centimetre per second  |
| 2K | cubic foot per hour  |
| 2L | cubic foot per minute  |
| 2M | centimetre per second  |
| 2N | decibel  |
| 2P | kilobyte<br>A unit of information equal to 10 to the power of 3 (1000) bytes.  |
| 2Q | kilobecquerel  |
| 2R | kilocurie  |
| 2U | megagram   |
| 2X | metre per minute   |
| 2Y | milliroentgen  |
| 2Z | millivolt  |
| 3B | megajoule  |

**Used Codes**

|     |   |
|-----|---|
| 3C  | manmonth<br>A unit of count defining the number of months for a person or persons to perform an undertaking.  |
| 4C  | centistokes   |
| 4G  | microlitre  |
| 4H  | micrometre (micron)   |
| 4K  | milliampere   |
| 4L  | megabyte<br>A unit of information equal to 10 to the power of 6 (1000000) bytes.  |
| 4M  | milligram per hour  |
| 4N  | megabecquerel   |
| 4O  | microfarad  |
| 4P  | newton per metre  |
| 4Q  | ounce inch  |
| 4R  | ounce foot  |
| 4T  | picofarad   |
| 4U  | pound per hour  |
| 4W  | ton (US) per hour   |
| 4X  | kilolitre per hour  |
| 5A  | barrel (US) per minute  |
| 5B  | batch<br>A unit of count defining the number of batches (batch: quantity of material produced in one operation or number of animals or persons coming at once). |
| 5E  | MMSCF/day<br>A unit of volume equal to one million (1000000) cubic feet of gas per day.   |
| 5J  | hydraulic horse power<br>A unit of power defining the hydraulic horse power delivered by a fluid pump depending on the viscosity of the fluid.                  |
| A1  | 15 °C calorie   |
| A10 | ampere square metre per joule second  |
| A11 | angstrom  |
| A12 | astronomical unit   |
| A13 | attojoule   |
| A14 | barn  |
| A15 | barn per electronvolt   |



**Used Codes**

|     |  |
|-----|--|
| A16 | barn per steradian electronvolt  |
| A17 | barn per steradian   |
| A18 | becquerel per kilogram   |
| A19 | becquerel per cubic metre  |
| A2  | ampere per centimetre  |
| A20 | British thermal unit (international table) per second square foot degree Rankine |
| A21 | British thermal unit (international table) per pound degree Rankine              |
| A22 | British thermal unit (international table) per second foot degree Rankine        |
| A23 | British thermal unit (international table) per hour square foot degree Rankine   |
| A24 | candela per square metre   |
| A25 | cheval vapeur<br>Synonym: metric horse power                                     |
| A26 | coulomb metre  |
| A27 | coulomb metre squared per volt   |
| A28 | coulomb per cubic centimetre   |
| A29 | coulomb per cubic metre  |
| A3  | ampere per millimetre  |
| A30 | coulomb per cubic millimetre   |
| A31 | coulomb per kilogram second  |
| A32 | coulomb per mole   |
| A33 | coulomb per square centimetre  |
| A34 | coulomb per square metre   |
| A35 | coulomb per square millimetre  |
| A36 | cubic centimetre per mole  |
| A37 | cubic decimetre per mole   |
| A38 | cubic metre per coulomb  |
| A39 | cubic metre per kilogram   |
| A4  | ampere per square centimetre   |
| A40 | cubic metre per mole   |
| A41 | ampere per square metre  |
| A42 | curie per kilogram   |

**Used Codes**

|     |   |
|-----|---|
| A43 | deadweight tonnage<br>A unit of mass defining the difference between the weight of a ship when completely empty and its weight when completely loaded, expressed as the number of tons. |
| A44 | decalitre   |
| A45 | decametre   |
| A47 | decitex<br>A unit of yarn density. One decitex equals a mass of 1 gram per 10 kilometres of length.   |
| A48 | degree Rankine<br>Refer ISO 80000-5 (Quantities and units — Part 5: Thermodynamics)   |
| A49 | denier<br>A unit of yarn density. One denier equals a mass of 1 gram per 9 kilometres of length.  |
| A5  | ampere square metre   |
| A50 | dyne second per cubic centimetre  |
| A51 | dyne second per centimetre  |
| A52 | dyne second per centimetre to the fifth power   |
| A53 | electronvolt  |
| A54 | electronvolt per metre  |
| A55 | electronvolt square metre   |
| A56 | electronvolt square metre per kilogram  |
| A57 | erg   |
| A58 | erg per centimetre  |
| A59 | 8-part cloud cover<br>A unit of count defining the number of eighth-parts as a measure of the celestial dome cloud coverage.<br>Synonym: OKTA , OCTA                                    |
| A6  | ampere per square metre kelvin squared  |
| A60 | erg per cubic centimetre  |
| A61 | erg per gram  |
| A62 | erg per gram second   |
| A63 | erg per second  |
| A64 | erg per second square centimetre  |
| A65 | erg per square centimetre second  |
| A66 | erg square centimetre   |

**Used Codes**

|     |   |
|-----|---|
| A67 | erg square centimetre per gram  |
| A68 | exajoule  |
| A69 | farad per metre   |
| A7  | ampere per square millimetre  |
| A70 | femtojoule  |
| A71 | femtometre  |
| A73 | foot per second squared   |
| A74 | foot pound-force per second   |
| A75 | freight ton<br>A unit of information typically used for billing purposes, defined as either the number of metric tons or the number of cubic metres, whichever is the larger. |
| A76 | gal   |
| A77 | Gaussian CGS (Centimetre-Gram-Second system) unit of displacement   |
| A78 | Gaussian CGS (Centimetre-Gram-Second system) unit of electric current   |
| A79 | Gaussian CGS (Centimetre-Gram-Second system) unit of electric charge  |
| A8  | ampere second   |
| A80 | Gaussian CGS (Centimetre-Gram-Second system) unit of electric field strength  |
| A81 | Gaussian CGS (Centimetre-Gram-Second system) unit of electric polarization  |
| A82 | Gaussian CGS (Centimetre-Gram-Second system) unit of electric potential   |
| A83 | Gaussian CGS (Centimetre-Gram-Second system) unit of magnetization  |
| A84 | gigacoulomb per cubic metre   |
| A85 | gigaelectronvolt  |
| A86 | gigahertz   |
| A87 | gigaohm   |
| A88 | gigaohm metre   |
| A89 | gigapascal  |
| A9  | rate<br>A unit of quantity expressed as a rate for usage of a facility or service.  |
| A90 | gigawatt  |
| A91 | gon<br>Synonym: grade   |
| A93 | gram per cubic metre  |
| A94 | gram per mole   |
| A95 | gray  |

**Used Codes**

|     |   |
|-----|---|
| A96 | gray per second   |
| A97 | hectopascal   |
| A98 | henry per metre   |
| A99 | bit<br>A unit of information equal to one binary digit.   |
| AA  | ball<br>A unit of count defining the number of balls (ball: object formed in the shape of sphere).                              |
| AB  | bulk pack<br>A unit of count defining the number of items per bulk pack.  |
| ACR | acre  |
| ACT | activity<br>A unit of count defining the number of activities (activity: a unit of work or action).                             |
| AD  | byte<br>A unit of information equal to 8 bits.  |
| AE  | ampere per metre  |
| AH  | additional minute<br>A unit of time defining the number of minutes in addition to the referenced minutes.                       |
| AI  | average minute per call<br>A unit of count defining the number of minutes for the average interval of a call.                   |
| AK  | fathom  |
| AL  | access line<br>A unit of count defining the number of telephone access lines.   |
| AMH | ampere hour<br>A unit of electric charge defining the amount of charge accumulated by a steady flow of one ampere for one hour. |
| AMP | ampere  |
| ANN | year<br>Unit of time equal to 365,25 days.<br>Synonym: Julian year  |
| APZ | troy ounce or apothecary ounce  |
| AQ  | anti-hemophilic factor (AHF) unit<br>A unit of measure for blood potency (US).  |
| ARE | are<br>Synonym: square decametre  |

**Used Codes**

|     |   |
|-----|---|
| AS  | assortment<br>A unit of count defining the number of assortments (assortment: set of items grouped in a mixed collection).                                    |
| ASM | alcoholic strength by mass<br>A unit of mass defining the alcoholic strength of a liquid.   |
| ASU | alcoholic strength by volume<br>A unit of volume defining the alcoholic strength of a liquid (e.g. spirit, wine, beer, etc), often at a specific temperature. |
| ATM | standard atmosphere   |
| ATT | technical atmosphere  |
| AWG | american wire gauge<br>A unit of distance used for measuring the diameter of small tubes or wires such as the outer diameter of hypotermic or suture needles. |
| AY  | assembly<br>A unit of count defining the number of assemblies (assembly: items that consist of component parts).  |
| AZ  | British thermal unit (international table) per pound  |
| B1  | barrel (US) per day   |
| B10 | bit per second<br>A unit of information equal to one binary digit per second.   |
| B11 | joule per kilogram kelvin   |
| B12 | joule per metre   |
| B13 | joule per square metre<br>Synonym: joule per metre squared  |
| B14 | joule per metre to the fourth power   |
| B15 | joule per mole  |
| B16 | joule per mole kelvin   |
| B17 | credit<br>A unit of count defining the number of entries made to the credit side of an account.   |
| B18 | joule second  |
| B19 | digit<br>A unit of information defining the quantity of numerals used to form a number.   |
| B20 | joule square metre per kilogram   |
| B21 | kelvin per watt   |
| B22 | kiloampere  |
| B23 | kiloampere per square metre   |

**Used Codes**

|     |  |
|-----|--|
| B24 | kiloampere per metre   |
| B25 | kilobecquerel per kilogram   |
| B26 | kilocoulomb  |
| B27 | kilocoulomb per cubic metre  |
| B28 | kilocoulomb per square metre   |
| B29 | kiloelectronvolt   |
| B3  | batting pound<br>A unit of mass defining the number of pounds of wadded fibre.                         |
| B30 | gibibit<br>A unit of information equal to $2^{30}$ bits (binary digits).                               |
| B31 | kilogram metre per second  |
| B32 | kilogram metre squared   |
| B33 | kilogram metre squared per second  |
| B34 | kilogram per cubic decimetre   |
| B35 | kilogram per litre   |
| B36 | calorie (thermochemical) per gram  |
| B37 | kilogram-force   |
| B38 | kilogram-force metre   |
| B39 | kilogram-force metre per second  |
| B4  | barrel, imperial<br>A unit of volume used to measure beer. One beer barrel equals 36 imperial gallons. |
| B40 | kilogram-force per square metre  |
| B41 | kilojoule per kelvin   |
| B42 | kilojoule per kilogram   |
| B43 | kilojoule per kilogram kelvin  |
| B44 | kilojoule per mole   |
| B45 | kilomole   |
| B46 | kilomole per cubic metre   |
| B47 | kilonewton   |
| B48 | kilonewton metre   |
| B49 | kiloohm  |
| B50 | kiloohm metre  |

**Used Codes**

|     |  |
|-----|--|
| B51 | kilopond<br>Synonym: kilogram-force  |
| B52 | kilosecond   |
| B53 | kilosiemens  |
| B54 | kilosiemens per metre  |
| B55 | kilovolt per metre   |
| B56 | kiloweber per metre  |
| B57 | light year<br>A unit of length defining the distance that light travels in a vacuum in one year.         |
| B58 | litre per mole   |
| B59 | lumen hour   |
| B60 | lumen per square metre   |
| B61 | lumen per watt   |
| B62 | lumen second   |
| B63 | lux hour   |
| B64 | lux second   |
| B65 | maxwell  |
| B66 | megaampere per square metre  |
| B67 | megabecquerel per kilogram   |
| B68 | gigabit<br>A unit of information equal to 10 to the power of 9 bits (binary digits).                     |
| B69 | megacoulomb per cubic metre  |
| B7  | cycle<br>A unit of count defining the number of cycles (cycle: a recurrent period of definite duration). |
| B70 | megacoulomb per square metre   |
| B71 | megaelectronvolt   |
| B72 | megagram per cubic metre   |
| B73 | meganewton   |
| B74 | meganewton metre   |
| B75 | megaohm  |
| B76 | megaohm metre  |
| B77 | megasiemens per metre  |
| B78 | megavolt   |

**Used Codes**

|     |   |
|-----|---|
| B79 | megavolt per metre  |
| B8  | joule per cubic metre   |
| B80 | gigabit per second<br>A unit of information equal to 10 to the power of 9 bits (binary digits) per second.  |
| B81 | reciprocal metre squared reciprocal second  |
| B82 | inch per linear foot<br>A unit of length defining the number of inches per linear foot.   |
| B83 | metre to the fourth power   |
| B84 | microampere   |
| B85 | microbar  |
| B86 | microcoulomb  |
| B87 | microcoulomb per cubic metre  |
| B88 | microcoulomb per square metre   |
| B89 | microfarad per metre  |
| B90 | microhenry  |
| B91 | microhenry per metre  |
| B92 | micronewton   |
| B93 | micronewton metre   |
| B94 | microohm  |
| B95 | microohm metre  |
| B96 | micropascal   |
| B97 | microradian   |
| B98 | microsecond   |
| B99 | microsiemens  |
| BAR | bar [unit of pressure]  |
| BB  | base box<br>A unit of area of 112 sheets of tin mil products (tin plate, tin free steel or black plate) 14 by 20 inches, or 31,360 square inches. |
| BFT | board foot<br>A unit of volume defining the number of cords (cord: a stack of firewood of 128 cubic feet).  |
| BHP | brake horse power   |
| BIL | billion (EUR)<br>Synonym: trillion (US)   |



**Used Codes**

|     |   |
|-----|---|
| BLD | dry barrel (US)   |
| BLL | barrel (US)   |
| BP  | hundred board foot<br>A unit of volume equal to one hundred board foot.                           |
| BPM | beats per minute<br>The number of beats per minute.   |
| BQL | becquerel   |
| BTU | British thermal unit (international table)  |
| BUA | bushel (US)   |
| BUI | bushel (UK)   |
| C0  | call<br>A unit of count defining the number of calls (call: communication session or visitation). |
| C10 | millifarad  |
| C11 | milligal  |
| C12 | milligram per metre   |
| C13 | milligray   |
| C14 | millihenry  |
| C15 | millijoule  |
| C16 | millimetre per second   |
| C17 | millimetre squared per second   |
| C18 | millimole   |
| C19 | mole per kilogram   |
| C20 | millinewton   |
| C21 | kibibit<br>A unit of information equal to 2 to the power of 10 (1024) bits (binary digits).       |
| C22 | millinewton per metre   |
| C23 | milliohm metre  |
| C24 | millipascal second  |
| C25 | milliradian   |
| C26 | millisecond   |
| C27 | millisiemens  |
| C28 | millisievert  |
| C29 | millitesla  |

**Used Codes**

|     |   |
|-----|---|
| C3  | microvolt per metre   |
| C30 | millivolt per metre   |
| C31 | milliwatt   |
| C32 | milliwatt per square metre  |
| C33 | milliweber  |
| C34 | mole  |
| C35 | mole per cubic decimetre  |
| C36 | mole per cubic metre  |
| C37 | kilobit<br>A unit of information equal to 10 to the power of 3 (1000) bits (binary digits). |
| C38 | mole per litre  |
| C39 | nanoampere  |
| C40 | nanocoulomb   |
| C41 | nanofarad   |
| C42 | nanofarad per metre   |
| C43 | nanohenry   |
| C44 | nanohenry per metre   |
| C45 | nanometre   |
| C46 | nanoohm metre   |
| C47 | nanosecond  |
| C48 | nanotesla   |
| C49 | nanowatt  |
| C50 | neper   |
| C51 | neper per second  |
| C52 | picometre   |
| C53 | newton metre second   |
| C54 | newton metre squared per kilogram squared   |
| C55 | newton per square metre   |
| C56 | newton per square millimetre  |
| C57 | newton second   |
| C58 | newton second per metre   |
| C59 | octave<br>A unit used in music to describe the ratio in frequency between notes.            |
| C60 | ohm centimetre  |

**Used Codes**

|     |   |
|-----|---|
| C61 | ohm metre   |
| C62 | one<br>Synonym: unit  |
| C63 | parsec  |
| C64 | pascal per kelvin   |
| C65 | pascal second   |
| C66 | pascal second per cubic metre   |
| C67 | pascal second per metre   |
| C68 | petajoule   |
| C69 | phon<br>A unit of subjective sound loudness. A sound has loudness p phons if it seems to the listener to be equal in loudness to the sound of a pure tone of frequency 1 kilohertz and strength p decibels. |
| C7  | centipoise  |
| C70 | picoampere  |
| C71 | picocoulomb   |
| C72 | picofarad per metre   |
| C73 | picohenry   |
| C74 | kilobit per second<br>A unit of information equal to 10 to the power of 3 (1000) bits (binary digits) per second.   |
| C75 | picowatt  |
| C76 | picowatt per square metre   |
| C78 | pound-force   |
| C79 | kilovolt ampere hour<br>A unit of accumulated energy of 1000 volt amperes over a period of one hour.  |
| C8  | millicoulomb per kilogram   |
| C80 | rad   |
| C81 | radian  |
| C82 | radian square metre per mole  |
| C83 | radian square metre per kilogram  |
| C84 | radian per metre  |
| C85 | reciprocal angstrom   |
| C86 | reciprocal cubic metre  |

**Used Codes**

|     |  |
|-----|--|
| C87 | reciprocal cubic metre per second<br>Synonym: reciprocal second per cubic metre  |
| C88 | reciprocal electron volt per cubic metre   |
| C89 | reciprocal henry   |
| C9  | coil group<br>A unit of count defining the number of coil groups (coil group: groups of items arranged by lengths of those items placed in a joined sequence of concentric circles). |
| C90 | reciprocal joule per cubic metre   |
| C91 | reciprocal kelvin or kelvin to the power minus one   |
| C92 | reciprocal metre   |
| C93 | reciprocal square metre<br>Synonym: reciprocal metre squared   |
| C94 | reciprocal minute  |
| C95 | reciprocal mole  |
| C96 | reciprocal pascal or pascal to the power minus one   |
| C97 | reciprocal second  |
| C99 | reciprocal second per metre squared  |
| CCT | carrying capacity in metric ton<br>A unit of mass defining the carrying capacity, expressed as the number of metric tons.  |
| CDL | candela  |
| CEL | degree Celsius<br>Refer ISO 80000-5 (Quantities and units – Part 5: Thermodynamics)  |
| CEN | hundred<br>A unit of count defining the number of units in multiples of 100.   |
| CG  | card<br>A unit of count defining the number of units of card (card: thick stiff paper or cardboard).   |
| CGM | centigram  |
| CKG | coulomb per kilogram   |
| CLF | hundred leave<br>A unit of count defining the number of leaves, expressed in units of one hundred leaves.  |
| CLT | centilitre   |
| CMK | square centimetre  |
| CMQ | cubic centimetre   |

**Used Codes**

|     |   |
|-----|---|
| CMT | centimetre  |
| CNP | hundred pack<br>A unit of count defining the number of hundred-packs (hundred-pack: set of one hundred items packaged together).          |
| CNT | cental (UK)<br>A unit of mass equal to one hundred weight (US).   |
| COU | coulomb   |
| CTG | content gram<br>A unit of mass defining the number of grams of a named item in a product.   |
| CTM | metric carat  |
| CTN | content ton (metric)<br>A unit of mass defining the number of metric tons of a named item in a product.                                   |
| CUR | curie   |
| CWA | hundred pound (cwt) / hundred weight (US)   |
| CWI | hundred weight (UK)   |
| D03 | kilowatt hour per hour<br>A unit of accumulated energy of a thousand watts over a period of one hour.                                     |
| D04 | lot [unit of weight]<br>A unit of weight equal to about 1/2 ounce or 15 grams.  |
| D1  | reciprocal second per steradian   |
| D10 | siemens per metre   |
| D11 | mebibit<br>A unit of information equal to 2 to the power of 20 (1048576) bits (binary digits).  |
| D12 | siemens square metre per mole   |
| D13 | sievert   |
| D15 | sone<br>A unit of subjective sound loudness. One sone is the loudness of a pure tone of frequency one kilohertz and strength 40 decibels. |
| D16 | square centimetre per erg   |
| D17 | square centimetre per steradian erg   |
| D18 | metre kelvin  |
| D19 | square metre kelvin per watt  |
| D2  | reciprocal second per steradian metre squared   |
| D20 | square metre per joule  |

**Used Codes**

|     |   |
|-----|---|
| D21 | square metre per kilogram   |
| D22 | square metre per mole   |
| D23 | pen gram (protein)<br>A unit of count defining the number of grams of amino acid prescribed for parenteral/enteral therapy. |
| D24 | square metre per steradian  |
| D25 | square metre per steradian joule  |
| D26 | square metre per volt second  |
| D27 | steradian   |
| D29 | terahertz   |
| D30 | terajoule   |
| D31 | terawatt  |
| D32 | terawatt hour   |
| D33 | tesla   |
| D34 | tex<br>A unit of yarn density. One decitex equals a mass of 1 gram per 1 kilometre of length.                               |
| D35 | calorie (thermochemical)  |
| D36 | megabit<br>A unit of information equal to 10 to the power of 6 (1000000) bits (binary digits).                              |
| D37 | calorie (thermochemical) per gram kelvin  |
| D38 | calorie (thermochemical) per second centimetre kelvin   |
| D39 | calorie (thermochemical) per second square centimetre kelvin  |
| D41 | tonne per cubic metre   |
| D42 | tropical year   |
| D43 | unified atomic mass unit  |
| D44 | var<br>The name of the unit is an acronym for volt-ampere-reactive.   |
| D45 | volt squared per kelvin squared   |
| D46 | volt - ampere   |
| D47 | volt per centimetre   |
| D48 | volt per kelvin   |
| D49 | millivolt per kelvin  |
| D5  | kilogram per square centimetre  |

**Used Codes**

|     |   |
|-----|---|
| D50 | volt per metre  |
| D51 | volt per millimetre   |
| D52 | watt per kelvin   |
| D53 | watt per metre kelvin   |
| D54 | watt per square metre   |
| D55 | watt per square metre kelvin  |
| D56 | watt per square metre kelvin to the fourth power  |
| D57 | watt per steradian  |
| D58 | watt per steradian square metre   |
| D59 | weber per metre   |
| D6  | roentgen per second   |
| D60 | weber per millimetre  |
| D61 | minute [unit of angle]  |
| D62 | second [unit of angle]  |
| D63 | book<br>A unit of count defining the number of books (book: set of items bound together or written document of a material whole). |
| D65 | round<br>A unit of count defining the number of rounds (round: A circular or cylindrical object).                                 |
| D68 | number of words<br>A unit of count defining the number of words.  |
| D69 | inch to the fourth power  |
| D70 | calorie (international table)   |
| D71 | calorie (international table) per second centimetre kelvin  |
| D72 | calorie (international table) per second square centimetre kelvin   |
| D73 | joule square metre  |
| D74 | kilogram per mole   |
| D75 | calorie (international table) per gram  |
| D76 | calorie (international table) per gram kelvin   |
| D77 | megacoulomb   |
| D78 | megajoule per second<br>A unit of accumulated energy equal to one million joules per second.                                      |
| D80 | microwatt   |
| D81 | microtesla  |

**Used Codes**

|     |   |
|-----|---|
| D82 | microvolt   |
| D83 | millinewton metre   |
| D85 | microwatt per square metre  |
| D86 | millicoulomb  |
| D87 | millimole per kilogram  |
| D88 | millicoulomb per cubic metre  |
| D89 | millicoulomb per square metre   |
| D9  | dyne per square centimetre  |
| D91 | rem   |
| D93 | second per cubic metre  |
| D94 | second per cubic metre radian   |
| D95 | joule per gram  |
| DAA | decare  |
| DAD | ten day<br>A unit of time defining the number of days in multiples of 10.   |
| DAY | day   |
| DB  | dry pound<br>A unit of mass defining the number of pounds of a product, disregarding the water content of the product.  |
| DBM | Decibel-milliwatts<br>dBm (sometimes dBmW or decibel-milliwatts) is unit of level used to indicate that a power ratio is expressed in decibels (dB) with reference to one milliwatt (mW). |
| DBW | Decibel watt<br>The decibel watt or dBW is a unit for the measurement of the strength of a signal expressed in decibels relative to one watt.   |
| DD  | degree [unit of angle]  |
| DEC | decade<br>A unit of count defining the number of decades (decade: quantity equal to 10 or time equal to 10 years).  |
| DG  | decigram  |
| DJ  | decagram  |
| DLT | decilitre   |
| DMA | cubic decametre   |
| DMK | square decimetre  |



**Used Codes**

|     |   |
|-----|---|
| DMO | standard kilolitre<br>A unit of volume defining the number of kilolitres of a product at a temperature of 15 degrees Celsius, especially in relation to hydrocarbon oils. |
| DMQ | cubic decimetre   |
| DMT | decimetre   |
| DN  | decinewton metre  |
| DPC | dozen piece<br>A unit of count defining the number of pieces in multiples of 12 (piece: a single item, article or exemplar).  |
| DPR | dozen pair<br>A unit of count defining the number of pairs in multiples of 12 (pair: item described by two's).  |
| DPT | displacement tonnage<br>A unit of mass defining the volume of sea water a ship displaces, expressed as the number of tons.  |
| DRA | dram (US)<br>Synonym: drachm (UK), troy dram  |
| DRI | dram (UK)<br>Synonym: avoirdupois dram  |
| DRL | dozen roll<br>A unit of count defining the number of rolls, expressed in twelve roll units.   |
| DT  | dry ton<br>A unit of mass defining the number of tons of a product, disregarding the water content of the product.  |
| DTN | decitonne<br>Synonym: centner, metric 100 kg, quintal, metric 100 kg  |
| DU  | dyne  |
| DWT | pennyweight   |
| DX  | dyne per centimetre   |
| DZN | dozen<br>A unit of count defining the number of units in multiples of 12.   |
| DZP | dozen pack<br>A unit of count defining the number of packs in multiples of 12 (pack: standard packaging unit).  |
| E01 | newton per square centimetre<br>A measure of pressure expressed in newtons per square centimetre.   |
| E07 | megawatt hour per hour<br>A unit of accumulated energy of a million watts over a period of one hour.  |

**Used Codes**

|     |  |
|-----|--|
| E08 | megawatt per hertz<br>A unit of energy expressed as the load change in million watts that will cause a frequency shift of one hertz.   |
| E09 | milliampere hour<br>A unit of power load delivered at the rate of one thousandth of an ampere over a period of one hour.   |
| E10 | degree day<br>A unit of measure used in meteorology and engineering to measure the demand for heating or cooling over a given period of days.  |
| E11 | gigacalorie<br>A unit of heat energy equal to one thousand million calories.   |
| E12 | mille<br>A unit of count defining the number of cigarettes in units of 1000.   |
| E14 | kilocalorie (international table)<br>A unit of heat energy equal to one thousand calories.   |
| E15 | kilocalorie (thermochemical) per hour<br>A unit of energy equal to one thousand calories per hour.   |
| E16 | million Btu(IT) per hour<br>A unit of power equal to one million British thermal units per hour.   |
| E17 | cubic foot per second<br>A unit of volume equal to one cubic foot passing a given point in a period of one second.   |
| E18 | tonne per hour<br>A unit of weight or mass equal to one tonne per hour.  |
| E19 | ping<br>A unit of area equal to 3.3 square metres.   |
| E20 | megabit per second<br>A unit of information equal to 10 to the power of 6 (1000000) bits (binary digits) per second.   |
| E21 | shares<br>A unit of count defining the number of shares (share: a total or portion of the parts into which a business entity's capital is divided).                                      |
| E22 | TEU<br>A unit of count defining the number of twenty-foot equivalent units (TEUs) as a measure of containerized cargo capacity.  |
| E23 | tyre<br>A unit of count defining the number of tyres (a solid or air-filled covering placed around a wheel rim to form a soft contact with the road, absorb shock and provide traction). |

**Used Codes**

|     |  |
|-----|--|
| E25 | active unit<br>A unit of count defining the number of active units within a substance.   |
| E27 | dose<br>A unit of count defining the number of doses (dose: a definite quantity of a medicine or drug).  |
| E28 | air dry ton<br>A unit of mass defining the number of tons of a product, disregarding the water content of the product.   |
| E30 | strand<br>A unit of count defining the number of strands (strand: long, thin, flexible, single thread, strip of fibre, constituent filament or multiples of the same, twisted together). |
| E31 | square metre per litre<br>A unit of count defining the number of square metres per litre.  |
| E32 | litre per hour<br>A unit of count defining the number of litres per hour.  |
| E33 | foot per thousand<br>A unit of count defining the number of feet per thousand units.   |
| E34 | gigabyte<br>A unit of information equal to 10 to the power of 9 bytes.   |
| E35 | terabyte<br>A unit of information equal to 10 to the power of 12 bytes.  |
| E36 | petabyte<br>A unit of information equal to 10 to the power of 15 bytes.  |
| E37 | pixel<br>A unit of count defining the number of pixels (pixel: picture element).   |
| E38 | megapixel<br>A unit of count equal to 10 to the power of 6 (1000000) pixels (picture elements).  |
| E39 | dots per inch<br>A unit of information defining the number of dots per linear inch as a measure of the resolution or sharpness of a graphic image.                                       |
| E4  | gross kilogram<br>A unit of mass defining the total number of kilograms before deductions.   |
| E40 | part per hundred thousand<br>A unit of proportion equal to 10 to the power of -5.  |
| E41 | kilogram-force per square millimetre<br>A unit of pressure defining the number of kilograms force per square millimetre.   |

**Used Codes**

|     |  |
|-----|--|
| E42 | kilogram-force per square centimetre<br>A unit of pressure defining the number of kilograms force per square centimetre.                       |
| E43 | joule per square centimetre<br>A unit of energy defining the number of joules per square centimetre.   |
| E44 | kilogram-force metre per square centimetre<br>A unit of torsion defining the torque kilogram-force metre per square centimetre.                |
| E45 | milliohm   |
| E46 | kilowatt hour per cubic metre<br>A unit of energy consumption expressed as kilowatt hour per cubic metre.                                      |
| E47 | kilowatt hour per kelvin<br>A unit of energy consumption expressed as kilowatt hour per kelvin.  |
| E48 | service unit<br>A unit of count defining the number of service units (service unit: defined period / property / facility / utility of supply). |
| E49 | working day<br>A unit of count defining the number of working days (working day: a day on which work is ordinarily performed).                 |
| E50 | accounting unit<br>A unit of count defining the number of accounting units.  |
| E51 | job<br>A unit of count defining the number of jobs.  |
| E52 | run foot<br>A unit of count defining the number feet per run.  |
| E53 | test<br>A unit of count defining the number of tests.  |
| E54 | trip<br>A unit of count defining the number of trips.  |
| E55 | use<br>A unit of count defining the number of times an object is used.   |
| E56 | well<br>A unit of count defining the number of wells.  |
| E57 | zone<br>A unit of count defining the number of zones.  |
| E58 | exabit per second<br>A unit of information equal to 10 to the power of 18 bits (binary digits) per second.                                     |

**Used Codes**

|     |  |
|-----|--|
| E59 | exbibyte<br>A unit of information equal to 2 to the power of 60 bytes.   |
| E60 | pebibyte<br>A unit of information equal to 2 to the power of 50 bytes.   |
| E61 | tebibyte<br>A unit of information equal to 2 to the power of 40 bytes.   |
| E62 | gibibyte<br>A unit of information equal to 2 to the power of 30 bytes.   |
| E63 | mebibyte<br>A unit of information equal to 2 to the power of 20 bytes.   |
| E64 | kibibyte<br>A unit of information equal to 2 to the power of 10 bytes.   |
| E65 | exbibit per metre<br>A unit of information equal to 2 to the power of 60 bits (binary digits) per metre.               |
| E66 | exbibit per square metre<br>A unit of information equal to 2 to the power of 60 bits (binary digits) per square metre. |
| E67 | exbibit per cubic metre<br>A unit of information equal to 2 to the power of 60 bits (binary digits) per cubic metre.   |
| E68 | gigabyte per second<br>A unit of information equal to 10 to the power of 9 bytes per second.                           |
| E69 | gibibit per metre<br>A unit of information equal to 2 to the power of 30 bits (binary digits) per metre.               |
| E70 | gibibit per square metre<br>A unit of information equal to 2 to the power of 30 bits (binary digits) per square metre. |
| E71 | gibibit per cubic metre<br>A unit of information equal to 2 to the power of 30 bits (binary digits) per cubic metre.   |
| E72 | kibibit per metre<br>A unit of information equal to 2 to the power of 10 bits (binary digits) per metre.               |
| E73 | kibibit per square metre<br>A unit of information equal to 2 to the power of 10 bits (binary digits) per square metre. |

**Used Codes**

|     |  |
|-----|--|
| E74 | kibibit per cubic metre<br>A unit of information equal to 2 to the power of 10 bits (binary digits) per cubic metre.   |
| E75 | mebibit per metre<br>A unit of information equal to 2 to the power of 20 bits (binary digits) per metre.               |
| E76 | mebibit per square metre<br>A unit of information equal to 2 to the power of 20 bits (binary digits) per square metre. |
| E77 | mebibit per cubic metre<br>A unit of information equal to 2 to the power of 20 bits (binary digits) per cubic metre.   |
| E78 | petabit<br>A unit of information equal to 10 to the power of 15 bits (binary digits).                                  |
| E79 | petabit per second<br>A unit of information equal to 10 to the power of 15 bits (binary digits) per second.            |
| E80 | pebibit per metre<br>A unit of information equal to 2 to the power of 50 bits (binary digits) per metre.               |
| E81 | pebibit per square metre<br>A unit of information equal to 2 to the power of 50 bits (binary digits) per square metre. |
| E82 | pebibit per cubic metre<br>A unit of information equal to 2 to the power of 50 bits (binary digits) per cubic metre.   |
| E83 | terabit<br>A unit of information equal to 10 to the power of 12 bits (binary digits).                                  |
| E84 | terabit per second<br>A unit of information equal to 10 to the power of 12 bits (binary digits) per second.            |
| E85 | tebibit per metre<br>A unit of information equal to 2 to the power of 40 bits (binary digits) per metre.               |
| E86 | tebibit per cubic metre<br>A unit of information equal to 2 to the power of 40 bits (binary digits) per cubic metre.   |
| E87 | tebibit per square metre<br>A unit of information equal to 2 to the power of 40 bits (binary digits) per square metre. |

**Used Codes**

|     |  |
|-----|--|
| E88 | bit per metre<br>A unit of information equal to 1 bit (binary digit) per metre.                            |
| E89 | bit per square metre<br>A unit of information equal to 1 bit (binary digit) per square metre.              |
| E90 | reciprocal centimetre  |
| E91 | reciprocal day   |
| E92 | cubic decimetre per hour   |
| E93 | kilogram per hour  |
| E94 | kilomole per second  |
| E95 | mole per second  |
| E96 | degree per second  |
| E97 | millimetre per degree Celcius metre  |
| E98 | degree Celsius per kelvin  |
| E99 | hectopascal per bar  |
| EA  | each<br>A unit of count defining the number of items regarded as separate units.                           |
| EB  | electronic mail box<br>A unit of count defining the number of electronic mail boxes.                       |
| EQ  | equivalent gallon<br>A unit of volume defining the number of gallons of product produced from concentrate. |
| F01 | bit per cubic metre<br>A unit of information equal to 1 bit (binary digit) per cubic metre.                |
| F02 | kelvin per kelvin  |
| F03 | kilopascal per bar   |
| F04 | millibar per bar   |
| F05 | megapascal per bar   |
| F06 | poise per bar  |
| F07 | pascal per bar   |
| F08 | milliampere per inch   |
| F10 | kelvin per hour  |
| F11 | kelvin per minute  |
| F12 | kelvin per second  |

**Used Codes**

|     |   |
|-----|---|
| F13 | slug<br>A unit of mass. One slug is the mass accelerated at 1 foot per second per second by a force of 1 pound. |
| F14 | gram per kelvin   |
| F15 | kilogram per kelvin   |
| F16 | milligram per kelvin  |
| F17 | pound-force per foot  |
| F18 | kilogram square centimetre  |
| F19 | kilogram square millimetre  |
| F20 | pound inch squared  |
| F21 | pound-force inch  |
| F22 | pound-force foot per ampere   |
| F23 | gram per cubic decimetre  |
| F24 | kilogram per kilomole   |
| F25 | gram per hertz  |
| F26 | gram per day  |
| F27 | gram per hour   |
| F28 | gram per minute   |
| F29 | gram per second   |
| F30 | kilogram per day  |
| F31 | kilogram per minute   |
| F32 | milligram per day   |
| F33 | milligram per minute  |
| F34 | milligram per second  |
| F35 | gram per day kelvin   |
| F36 | gram per hour kelvin  |
| F37 | gram per minute kelvin  |
| F38 | gram per second kelvin  |
| F39 | kilogram per day kelvin   |
| F40 | kilogram per hour kelvin  |
| F41 | kilogram per minute kelvin  |
| F42 | kilogram per second kelvin  |
| F43 | milligram per day kelvin  |
| F44 | milligram per hour kelvin   |



**Used Codes**

|     |   |
|-----|---|
| F45 | milligram per minute kelvin   |
| F46 | milligram per second kelvin   |
| F47 | newton per millimetre   |
| F48 | pound-force per inch  |
| F49 | rod [unit of distance]<br>A unit of distance equal to 5.5 yards (16 feet 6 inches). |
| F50 | micrometre per kelvin   |
| F51 | centimetre per kelvin   |
| F52 | metre per kelvin  |
| F53 | millimetre per kelvin   |
| F54 | milliohm per metre  |
| F55 | ohm per mile (statute mile)   |
| F56 | ohm per kilometre   |
| F57 | milliampere per pound-force per square inch   |
| F58 | reciprocal bar  |
| F59 | milliampere per bar   |
| F60 | degree Celsius per bar  |
| F61 | kelvin per bar  |
| F62 | gram per day bar  |
| F63 | gram per hour bar   |
| F64 | gram per minute bar   |
| F65 | gram per second bar   |
| F66 | kilogram per day bar  |
| F67 | kilogram per hour bar   |
| F68 | kilogram per minute bar   |
| F69 | kilogram per second bar   |
| F70 | milligram per day bar   |
| F71 | milligram per hour bar  |
| F72 | milligram per minute bar  |
| F73 | milligram per second bar  |
| F74 | gram per bar  |
| F75 | milligram per bar   |
| F76 | milliampere per millimetre  |

**Used Codes**

|     |  |
|-----|--|
| F77 | pascal second per kelvin   |
| F78 | inch of water  |
| F79 | inch of mercury  |
| F80 | water horse power<br>A unit of power defining the amount of power required to move a given volume of water against acceleration of gravity to a specified elevation (pressure head). |
| F81 | bar per kelvin   |
| F82 | hectopascal per kelvin   |
| F83 | kilopascal per kelvin  |
| F84 | millibar per kelvin  |
| F85 | megapascal per kelvin  |
| F86 | poise per kelvin   |
| F87 | volt per litre minute  |
| F88 | newton centimetre  |
| F89 | newton metre per degree  |
| F90 | newton metre per ampere  |
| F91 | bar litre per second   |
| F92 | bar cubic metre per second   |
| F93 | hectopascal litre per second   |
| F94 | hectopascal cubic metre per second   |
| F95 | millibar litre per second  |
| F96 | millibar cubic metre per second  |
| F97 | megapascal litre per second  |
| F98 | megapascal cubic metre per second  |
| F99 | pascal litre per second  |
| FAH | degree Fahrenheit<br>Refer ISO 80000-5 (Quantities and units — Part 5: Thermodynamics)   |
| FAR | farad  |
| FBM | fibre metre<br>A unit of length defining the number of metres of individual fibre.   |
| FC  | thousand cubic foot<br>A unit of volume equal to one thousand cubic foot.  |
| FF  | hundred cubic metre<br>A unit of volume equal to one hundred cubic metres.   |

**Used Codes**

|     |   |
|-----|---|
| FH  | micromole   |
| FIT | failures in time<br>A unit of count defining the number of failures that can be expected over a specified time interval. Failure rates of semiconductor components are often specified as FIT (failures in time unit) where 1 FIT = 10 to the power of -9 /h. |
| FL  | flake ton<br>A unit of mass defining the number of tons of a flaked substance (flake: a small flattish fragment).   |
| FNU | Formazin nephelometric unit<br>Formazin nephelometric unit (FNU) is used for water turbidity level evaluation   |
| FOT | foot  |
| FP  | pound per square foot   |
| FR  | foot per minute   |
| FS  | foot per second   |
| FTK | square foot   |
| FTQ | cubic foot  |
| G01 | pascal cubic metre per second   |
| G04 | centimetre per bar  |
| G05 | metre per bar   |
| G06 | millimetre per bar  |
| G08 | square inch per second  |
| G09 | square metre per second kelvin  |
| G10 | stokes per kelvin   |
| G11 | gram per cubic centimetre bar   |
| G12 | gram per cubic decimetre bar  |
| G13 | gram per litre bar  |
| G14 | gram per cubic metre bar  |
| G15 | gram per millilitre bar   |
| G16 | kilogram per cubic centimetre bar   |
| G17 | kilogram per litre bar  |
| G18 | kilogram per cubic metre bar  |
| G19 | newton metre per kilogram   |
| G2  | US gallon per minute  |
| G20 | pound-force foot per pound  |
| G21 | cup [unit of volume]  |

**Used Codes**

|     |                                      |
|-----|--------------------------------------|
| G23 | peck                                 |
| G24 | tablespoon (US)                      |
| G25 | teaspoon (US)                        |
| G26 | stere                                |
| G27 | cubic centimetre per kelvin          |
| G28 | litre per kelvin                     |
| G29 | cubic metre per kelvin               |
| G3  | Imperial gallon per minute           |
| G30 | millilitre per kelvin                |
| G31 | kilogram per cubic centimetre        |
| G32 | ounce (avoirdupois) per cubic yard   |
| G33 | gram per cubic centimetre kelvin     |
| G34 | gram per cubic decimetre kelvin      |
| G35 | gram per litre kelvin                |
| G36 | gram per cubic metre kelvin          |
| G37 | gram per millilitre kelvin           |
| G38 | kilogram per cubic centimetre kelvin |
| G39 | kilogram per litre kelvin            |
| G40 | kilogram per cubic metre kelvin      |
| G41 | square metre per second bar          |
| G42 | microsiemens per centimetre          |
| G43 | microsiemens per metre               |
| G44 | nanosiemens per centimetre           |
| G45 | nanosiemens per metre                |
| G46 | stokes per bar                       |
| G47 | cubic centimetre per day             |
| G48 | cubic centimetre per hour            |
| G49 | cubic centimetre per minute          |
| G50 | gallon (US) per hour                 |
| G51 | litre per second                     |
| G52 | cubic metre per day                  |
| G53 | cubic metre per minute               |
| G54 | millilitre per day                   |

**Used Codes**

|     |                                    |
|-----|------------------------------------|
| G55 | millilitre per hour                |
| G56 | cubic inch per hour                |
| G57 | cubic inch per minute              |
| G58 | cubic inch per second              |
| G59 | milliampere per litre minute       |
| G60 | volt per bar                       |
| G61 | cubic centimetre per day kelvin    |
| G62 | cubic centimetre per hour kelvin   |
| G63 | cubic centimetre per minute kelvin |
| G64 | cubic centimetre per second kelvin |
| G65 | litre per day kelvin               |
| G66 | litre per hour kelvin              |
| G67 | litre per minute kelvin            |
| G68 | litre per second kelvin            |
| G69 | cubic metre per day kelvin         |
| G70 | cubic metre per hour kelvin        |
| G71 | cubic metre per minute kelvin      |
| G72 | cubic metre per second kelvin      |
| G73 | millilitre per day kelvin          |
| G74 | millilitre per hour kelvin         |
| G75 | millilitre per minute kelvin       |
| G76 | millilitre per second kelvin       |
| G77 | millimetre to the fourth power     |
| G78 | cubic centimetre per day bar       |
| G79 | cubic centimetre per hour bar      |
| G80 | cubic centimetre per minute bar    |
| G81 | cubic centimetre per second bar    |
| G82 | litre per day bar                  |
| G83 | litre per hour bar                 |
| G84 | litre per minute bar               |
| G85 | litre per second bar               |
| G86 | cubic metre per day bar            |
| G87 | cubic metre per hour bar           |

**Used Codes**

|     |   |
|-----|---|
| G88 | cubic metre per minute bar  |
| G89 | cubic metre per second bar  |
| G90 | millilitre per day bar  |
| G91 | millilitre per hour bar   |
| G92 | millilitre per minute bar   |
| G93 | millilitre per second bar   |
| G94 | cubic centimetre per bar  |
| G95 | litre per bar   |
| G96 | cubic metre per bar   |
| G97 | millilitre per bar  |
| G98 | microhenry per kilohm   |
| G99 | microhenry per ohm  |
| GB  | gallon (US) per day   |
| GBQ | gigabecquerel   |
| GDW | gram, dry weight<br>A unit of mass defining the number of grams of a product, disregarding the water content of the product.  |
| GE  | pound per gallon (US)   |
| GF  | gram per metre (gram per 100 centimetres)   |
| GFI | gram of fissile isotope<br>A unit of mass defining the number of grams of a fissile isotope (fissile isotope: an isotope whose nucleus is able to be split when irradiated with low energy neutrons). |
| GGR | great gross<br>A unit of count defining the number of units in multiples of 1728 (12 x 12 x 12).  |
| GIA | gill (US)   |
| GIC | gram, including container<br>A unit of mass defining the number of grams of a product, including its container.   |
| GII | gill (UK)   |
| GIP | gram, including inner packaging<br>A unit of mass defining the number of grams of a product, including its inner packaging materials.   |
| GJ  | gram per millilitre   |
| GL  | gram per litre  |

**Used Codes**

|     |   |
|-----|---|
| GLD | dry gallon (US)   |
| GLI | gallon (UK)   |
| GLL | gallon (US)   |
| GM  | gram per square metre   |
| GO  | milligram per square metre  |
| GP  | milligram per cubic metre   |
| GQ  | microgram per cubic metre   |
| GRM | gram  |
| GRN | grain   |
| GRO | gross<br>A unit of count defining the number of units in multiples of 144 (12 x 12).  |
| GRT | gross register ton<br>A unit of mass equal to the total cubic footage before deductions, where 1 register ton is equal to 100 cubic feet. Refer International Convention on tonnage measurement of ships. |
| GT  | gross ton<br>A unit of mass equal to 2240 pounds. Refer International Convention on Tonnage measurement of Ships.<br>Synonym: ton (UK) or long ton (US) (common code LTN)                                 |
| GV  | gigajoule   |
| GWH | gigawatt hour   |
| H03 | henry per kilohm  |
| H04 | henry per ohm   |
| H05 | millihenry per kilohm   |
| H06 | millihenry per ohm  |
| H07 | pascal second per bar   |
| H08 | microbecquerel  |
| H09 | reciprocal year   |
| H10 | reciprocal hour   |
| H11 | reciprocal month  |
| H12 | degree Celsius per hour   |
| H13 | degree Celsius per minute   |
| H14 | degree Celsius per second   |
| H15 | square centimetre per gram  |

**Used Codes**

|     |  |
|-----|--|
| H16 | square decametre<br>Synonym: are   |
| H18 | square hectometre<br>Synonym: hectare  |
| H19 | cubic hectometre   |
| H20 | cubic kilometre  |
| H21 | blank<br>A unit of count defining the number of blanks.  |
| H22 | volt square inch per pound-force   |
| H23 | volt per inch  |
| H24 | volt per microsecond   |
| H25 | percent per kelvin<br>A unit of proportion, equal to 0.01, in relation to the SI base unit Kelvin. |
| H26 | ohm per metre  |
| H27 | degree per metre   |
| H28 | microfarad per kilometre   |
| H29 | microgram per litre  |
| H30 | square micrometre (square micron)  |
| H31 | ampere per kilogram  |
| H32 | ampere squared second  |
| H33 | farad per kilometre  |
| H34 | hertz metre  |
| H35 | kelvin metre per watt  |
| H36 | megaohm per kilometre  |
| H37 | megaohm per metre  |
| H38 | megaampere   |
| H39 | megahertz kilometre  |
| H40 | newton per ampere  |
| H41 | newton metre watt to the power minus 0,5   |
| H42 | pascal per metre   |
| H43 | siemens per centimetre   |
| H44 | teraohm  |
| H45 | volt second per metre  |
| H46 | volt per second  |



**Used Codes**

|     |   |
|-----|---|
| H47 | watt per cubic metre  |
| H48 | attofarad   |
| H49 | centimetre per hour   |
| H50 | reciprocal cubic centimetre   |
| H51 | decibel per kilometre   |
| H52 | decibel per metre   |
| H53 | kilogram per bar  |
| H54 | kilogram per cubic decimetre kelvin   |
| H55 | kilogram per cubic decimetre bar  |
| H56 | kilogram per square metre second  |
| H57 | inch per two pi radiant   |
| H58 | metre per volt second   |
| H59 | square metre per newton   |
| H60 | cubic metre per cubic metre   |
| H61 | millisiemens per centimetre   |
| H62 | millivolt per minute  |
| H63 | milligram per square centimetre   |
| H64 | milligram per gram  |
| H65 | millilitre per cubic metre  |
| H66 | millimetre per year   |
| H67 | millimetre per hour   |
| H68 | millimole per gram  |
| H69 | picopascal per kilometre  |
| H70 | picosecond  |
| H71 | percent per month<br>A unit of proportion, equal to 0.01, in relation to a month.                                 |
| H72 | percent per hectobar<br>A unit of proportion, equal to 0.01, in relation to 100-fold of the unit bar.             |
| H73 | percent per decakelvin<br>A unit of proportion, equal to 0.01, in relation to 10-fold of the SI base unit Kelvin. |
| H74 | watt per metre  |
| H75 | decapascal  |
| H76 | gram per millimetre   |

**Used Codes**

|     |  |
|-----|--|
| H77 | module width<br>A unit of measure used to describe the breadth of electronic assemblies as an installation standard or mounting dimension.   |
| H78 | conventional centimetre of water   |
| H79 | Charrière<br>A unit of distance used for measuring the diameter of small tubes such as urological instruments and catheters.<br>Synonym: French, French gauge, Charrière gauge                 |
| H80 | rack unit<br>A unit of measure used to describe the height in rack units of equipment intended for mounting in a 19-inch rack or a 23-inch rack. One rack unit is 1.75 inches (44.45 mm) high. |
| H81 | millimetre per minute  |
| H82 | big point<br>A unit of length defining the number of big points (big point: Adobe software(US) defines the big point to be exactly 1/72 inch (0.013 888 9 inch or 0.352 777 8 millimeters))    |
| H83 | litre per kilogram   |
| H84 | gram millimetre  |
| H85 | reciprocal week  |
| H87 | piece<br>A unit of count defining the number of pieces (piece: a single item, article or exemplar).  |
| H88 | megaohm kilometre  |
| H89 | percent per ohm<br>A unit of proportion, equal to 0.01, in relation to the SI derived unit ohm.  |
| H90 | percent per degree<br>A unit of proportion, equal to 0.01, in relation to an angle of one degree.  |
| H91 | percent per ten thousand<br>A unit of proportion, equal to 0.01, in relation to multiples of ten thousand.   |
| H92 | percent per one hundred thousand<br>A unit of proportion, equal to 0.01, in relation to multiples of one hundred thousand.   |
| H93 | percent per hundred<br>A unit of proportion, equal to 0.01, in relation to multiples of one hundred.   |
| H94 | percent per thousand<br>A unit of proportion, equal to 0.01, in relation to multiples of one thousand.   |
| H95 | percent per volt<br>A unit of proportion, equal to 0.01, in relation to the SI derived unit volt.  |

**Used Codes**

|     |  |
|-----|--|
| H96 | percent per bar<br>A unit of proportion, equal to 0.01, in relation to an atmospheric pressure of one bar.   |
| H98 | percent per inch<br>A unit of proportion, equal to 0.01, in relation to an inch.   |
| H99 | percent per metre<br>A unit of proportion, equal to 0.01, in relation to a metre.  |
| HA  | hank<br>A unit of length, typically for yarn.  |
| HAD | Piece Day<br>Unit for measuring the item amount and time as required by DIN 18451  |
| HAR | hectare<br>Synonym: square hectometre  |
| HBA | hectobar   |
| HBX | hundred boxes<br>A unit of count defining the number of boxes in multiples of one hundred box units.   |
| HC  | hundred count<br>A unit of count defining the number of units counted in multiples of 100.   |
| HDW | hundred kilogram, dry weight<br>A unit of mass defining the number of hundred kilograms of a product, disregarding the water content of the product. |
| HEA | head<br>A unit of count defining the number of heads (head: a person or animal considered as one of a number).                                       |
| HGM | hectogram  |
| HH  | hundred cubic foot<br>A unit of volume equal to one hundred cubic foot.  |
| HIU | hundred international unit<br>A unit of count defining the number of international units in multiples of 100.  |
| HJ  | metric horse power   |
| HKM | hundred kilogram, net mass<br>A unit of mass defining the number of hundred kilograms of a product, after deductions.                                |
| HLT | hectolitre   |
| HM  | mile per hour (statute mile)   |
| HMO | Piece Month<br>Unit for measuring the item amount and time as required by DIN 18451  |

**Used Codes**

|     |  |
|-----|--|
| HMQ | million cubic metre<br>A unit of volume equal to one million cubic metres.   |
| HMT | hectometre   |
| HN  | conventional millimetre of mercury   |
| HP  | conventional millimetre of water   |
| HPA | hectolitre of pure alcohol<br>A unit of volume equal to one hundred litres of pure alcohol.  |
| HTZ | hertz  |
| HUR | hour   |
| HWE | Piece Week<br>Unit for measuring the item amount and time as required by DIN 18451   |
| IA  | inch pound (pound inch)  |
| IE  | person<br>A unit of count defining the number of persons.  |
| INH | inch   |
| INK | square inch  |
| INQ | cubic inch<br>Synonym: inch cubed  |
| ISD | international sugar degree<br>A unit of measure defining the sugar content of a solution, expressed in degrees.  |
| IU  | inch per second  |
| IV  | inch per second squared  |
| J10 | percent per millimetre<br>A unit of proportion, equal to 0.01, in relation to a millimetre.  |
| J12 | per mille per psi<br>A unit of pressure equal to one thousandth of a psi (pound-force per square inch).  |
| J13 | degree API<br>A unit of relative density as a measure of how heavy or light a petroleum liquid is compared to water (API: American Petroleum Institute). |
| J14 | degree Baume (origin scale)<br>A traditional unit of relative density for liquids. Named after Antoine Baumé.  |
| J15 | degree Baume (US heavy)<br>A unit of relative density for liquids heavier than water.  |
| J16 | degree Baume (US light)<br>A unit of relative density for liquids lighter than water.  |

**Used Codes**

|     |  |
|-----|--|
| J17 | degree Balling<br>A unit of density as a measure of sugar content, especially of beer wort. Named after Karl Balling.                                      |
| J18 | degree Brix<br>A unit of proportion used in measuring the dissolved sugar-to-water mass ratio of a liquid. Named after Adolf Brix.                         |
| J19 | degree Fahrenheit hour square foot per British thermal unit (thermochemical)   |
| J2  | joule per kilogram   |
| J20 | degree Fahrenheit per kelvin   |
| J21 | degree Fahrenheit per bar  |
| J22 | degree Fahrenheit hour square foot per British thermal unit (international table)  |
| J23 | degree Fahrenheit per hour   |
| J24 | degree Fahrenheit per minute   |
| J25 | degree Fahrenheit per second   |
| J26 | reciprocal degree Fahrenheit   |
| J27 | degree Oechsle<br>A unit of density as a measure of sugar content of must, the unfermented liqueur from which wine is made. Named after Ferdinand Oechsle. |
| J28 | degree Rankine per hour  |
| J29 | degree Rankine per minute  |
| J30 | degree Rankine per second  |
| J31 | degree Twaddell<br>A unit of density for liquids that are heavier than water. 1 degree Twaddle represents a difference in specific gravity of 0.005.       |
| J32 | micropoise   |
| J33 | microgram per kilogram   |
| J34 | microgram per cubic metre kelvin   |
| J35 | microgram per cubic metre bar  |
| J36 | microlitre per litre   |
| J38 | baud<br>A unit of signal transmission speed equal to one signalling event per second.  |
| J39 | British thermal unit (mean)  |
| J40 | British thermal unit (international table) foot per hour square foot degree Fahrenheit   |
| J41 | British thermal unit (international table) inch per hour square foot degree Fahrenheit   |

**Used Codes**

|     |  |
|-----|--|
| J42 | British thermal unit (international table) inch per second square foot degree Fahrenheit                             |
| J43 | British thermal unit (international table) per pound degree Fahrenheit   |
| J44 | British thermal unit (international table) per minute  |
| J45 | British thermal unit (international table) per second  |
| J46 | British thermal unit (thermochemical) foot per hour square foot degree Fahrenheit                                    |
| J47 | British thermal unit (thermochemical) per hour   |
| J48 | British thermal unit (thermochemical) inch per hour square foot degree Fahrenheit                                    |
| J49 | British thermal unit (thermochemical) inch per second square foot degree Fahrenheit                                  |
| J50 | British thermal unit (thermochemical) per pound degree Fahrenheit  |
| J51 | British thermal unit (thermochemical) per minute   |
| J52 | British thermal unit (thermochemical) per second   |
| J53 | coulomb square metre per kilogram  |
| J54 | megabaud<br>A unit of signal transmission speed equal to 10 to the power of 6 (1000000) signaling events per second. |
| J55 | watt second  |
| J56 | bar per bar  |
| J57 | barrel (UK petroleum)  |
| J58 | barrel (UK petroleum) per minute   |
| J59 | barrel (UK petroleum) per day  |
| J60 | barrel (UK petroleum) per hour   |
| J61 | barrel (UK petroleum) per second   |
| J62 | barrel (US petroleum) per hour   |
| J63 | barrel (US petroleum) per second   |
| J64 | bushel (UK) per day  |
| J65 | bushel (UK) per hour   |
| J66 | bushel (UK) per minute   |
| J67 | bushel (UK) per second   |
| J68 | bushel (US dry) per day  |
| J69 | bushel (US dry) per hour   |
| J70 | bushel (US dry) per minute   |

**Used Codes**

|     |  |
|-----|--|
| J71 | bushel (US dry) per second   |
| J72 | centinewton metre  |
| J73 | centipoise per kelvin  |
| J74 | centipoise per bar   |
| J75 | calorie (mean)   |
| J76 | calorie (international table) per gram degree Celsius                      |
| J78 | calorie (thermochemical) per centimetre second degree Celsius              |
| J79 | calorie (thermochemical) per gram degree Celsius                           |
| J81 | calorie (thermochemical) per minute  |
| J82 | calorie (thermochemical) per second  |
| J83 | clo  |
| J84 | centimetre per second kelvin   |
| J85 | centimetre per second bar  |
| J87 | cubic centimetre per cubic metre   |
| J89 | centimetre of mercury  |
| J90 | cubic decimetre per day  |
| J91 | cubic decimetre per cubic metre  |
| J92 | cubic decimetre per minute   |
| J93 | cubic decimetre per second   |
| J94 | dyne centimetre  |
| J95 | ounce (UK fluid) per day   |
| J96 | ounce (UK fluid) per hour  |
| J97 | ounce (UK fluid) per minute  |
| J98 | ounce (UK fluid) per second  |
| J99 | ounce (US fluid) per day   |
| JE  | joule per kelvin   |
| JK  | megajoule per kilogram   |
| JM  | megajoule per cubic metre  |
| JNT | pipeline joint<br>A count of the number of pipeline joints.                |
| JOU | joule  |
| JPS | hundred metre<br>A unit of count defining the number of 100 metre lengths. |

**Used Codes**

|     |  |
|-----|--|
| JWL | number of jewels<br>A unit of count defining the number of jewels (jewel: precious stone).   |
| K1  | kilowatt demand<br>A unit of measure defining the power load measured at predetermined intervals.  |
| K10 | ounce (US fluid) per hour  |
| K11 | ounce (US fluid) per minute  |
| K12 | ounce (US fluid) per second  |
| K13 | foot per degree Fahrenheit   |
| K14 | foot per hour  |
| K15 | foot pound-force per hour  |
| K16 | foot pound-force per minute  |
| K17 | foot per psi   |
| K18 | foot per second degree Fahrenheit  |
| K19 | foot per second psi  |
| K2  | kilovolt ampere reactive demand<br>A unit of measure defining the reactive power demand equal to one kilovolt ampere of reactive power.              |
| K20 | reciprocal cubic foot  |
| K21 | cubic foot per degree Fahrenheit   |
| K22 | cubic foot per day   |
| K23 | cubic foot per psi   |
| K24 | foot of water  |
| K25 | foot of mercury  |
| K26 | gallon (UK) per day  |
| K27 | gallon (UK) per hour   |
| K28 | gallon (UK) per second   |
| K3  | kilovolt ampere reactive hour<br>A unit of measure defining the accumulated reactive energy equal to one kilovolt ampere of reactive power per hour. |
| K30 | gallon (US liquid) per second  |
| K31 | gram-force per square centimetre   |
| K32 | gill (UK) per day  |
| K33 | gill (UK) per hour   |
| K34 | gill (UK) per minute   |



**Used Codes**

|     |   |
|-----|---|
| K35 | gill (UK) per second  |
| K36 | gill (US) per day   |
| K37 | gill (US) per hour  |
| K38 | gill (US) per minute  |
| K39 | gill (US) per second  |
| K40 | standard acceleration of free fall  |
| K41 | grain per gallon (US)   |
| K42 | horsepower (boiler)   |
| K43 | horsepower (electric)   |
| K45 | inch per degree Fahrenheit  |
| K46 | inch per psi  |
| K47 | inch per second degree Fahrenheit   |
| K48 | inch per second psi   |
| K49 | reciprocal cubic inch   |
| K5  | kilovolt ampere (reactive)<br>Use kilovar (common code KVR)   |
| K50 | kilobaud<br>A unit of signal transmission speed equal to 10 to the power of 3 (1000) signaling events per second. |
| K51 | kilocalorie (mean)  |
| K52 | kilocalorie (international table) per hour metre degree Celsius   |
| K53 | kilocalorie (thermochemical)  |
| K54 | kilocalorie (thermochemical) per minute   |
| K55 | kilocalorie (thermochemical) per second   |
| K58 | kilomole per hour   |
| K59 | kilomole per cubic metre kelvin   |
| K6  | kilolitre   |
| K60 | kilomole per cubic metre bar  |
| K61 | kilomole per minute   |
| K62 | litre per litre   |
| K63 | reciprocal litre  |
| K64 | pound (avoirdupois) per degree Fahrenheit   |
| K65 | pound (avoirdupois) square foot   |
| K66 | pound (avoirdupois) per day   |

**Used Codes**

|     |  |
|-----|--|
| K67 | pound per foot hour                                  |
| K68 | pound per foot second                                |
| K69 | pound (avoirdupois) per cubic foot degree Fahrenheit |
| K70 | pound (avoirdupois) per cubic foot psi               |
| K71 | pound (avoirdupois) per gallon (UK)                  |
| K73 | pound (avoirdupois) per hour degree Fahrenheit       |
| K74 | pound (avoirdupois) per hour psi                     |
| K75 | pound (avoirdupois) per cubic inch degree Fahrenheit |
| K76 | pound (avoirdupois) per cubic inch psi               |
| K77 | pound (avoirdupois) per psi                          |
| K78 | pound (avoirdupois) per minute                       |
| K79 | pound (avoirdupois) per minute degree Fahrenheit     |
| K80 | pound (avoirdupois) per minute psi                   |
| K81 | pound (avoirdupois) per second                       |
| K82 | pound (avoirdupois) per second degree Fahrenheit     |
| K83 | pound (avoirdupois) per second psi                   |
| K84 | pound per cubic yard                                 |
| K85 | pound-force per square foot                          |
| K86 | pound-force per square inch degree Fahrenheit        |
| K87 | psi cubic inch per second                            |
| K88 | psi litre per second                                 |
| K89 | psi cubic metre per second                           |
| K90 | psi cubic yard per second                            |
| K91 | pound-force second per square foot                   |
| K92 | pound-force second per square inch                   |
| K93 | reciprocal psi                                       |
| K94 | quart (UK liquid) per day                            |
| K95 | quart (UK liquid) per hour                           |
| K96 | quart (UK liquid) per minute                         |
| K97 | quart (UK liquid) per second                         |
| K98 | quart (US liquid) per day                            |
| K99 | quart (US liquid) per hour                           |

**Used Codes**

|     |  |
|-----|--|
| KA  | cake<br>A unit of count defining the number of cakes (cake: object shaped into a flat, compact mass).  |
| KAT | katal<br>A unit of catalytic activity defining the catalytic activity of enzymes and other catalysts.  |
| KB  | kilocharacter<br>A unit of information equal to 10 to the power of 3 (1000) characters.  |
| KBA | kilobar  |
| KCC | kilogram of choline chloride<br>A unit of mass equal to one thousand grams of choline chloride.  |
| KDW | kilogram drained net weight<br>A unit of mass defining the net number of kilograms of a product, disregarding the liquid content of the product. |
| KEL | kelvin<br>Refer ISO 80000-5 (Quantities and units — Part 5: Thermodynamics)  |
| KGM | kilogram<br>A unit of mass equal to one thousand grams.  |
| KGS | kilogram per second  |
| KHY | kilogram of hydrogen peroxide<br>A unit of mass equal to one thousand grams of hydrogen peroxide.  |
| KHZ | kilohertz  |
| KI  | kilogram per millimetre width  |
| KIC | kilogram, including container<br>A unit of mass defining the number of kilograms of a product, including its container.                          |
| KIP | kilogram, including inner packaging<br>A unit of mass defining the number of kilograms of a product, including its inner packaging materials.    |
| KJ  | kilosegment<br>A unit of information equal to 10 to the power of 3 (1000) segments.  |
| KJO | kilojoule  |
| KL  | kilogram per metre   |
| KLK | lactic dry material percentage<br>A unit of proportion defining the percentage of dry lactic material in a product.                              |
| KLX | kilolux<br>A unit of illuminance equal to one thousand lux.  |

**Used Codes**

|     |  |
|-----|--|
| KMA | kilogram of methylamine<br>A unit of mass equal to one thousand grams of methylamine.  |
| KMH | kilometre per hour   |
| KMK | square kilometre   |
| KMQ | kilogram per cubic metre<br>A unit of weight expressed in kilograms of a substance that fills a volume of one cubic metre.   |
| KMT | kilometre  |
| KNI | kilogram of nitrogen<br>A unit of mass equal to one thousand grams of nitrogen.  |
| KNM | kilonewton per square metre<br>Pressure expressed in kN/m <sup>2</sup> .   |
| KNS | kilogram named substance<br>A unit of mass equal to one kilogram of a named substance.   |
| KNT | knot   |
| KO  | milliequivalence caustic potash per gram of product<br>A unit of count defining the number of milligrams of potassium hydroxide per gram of product as a measure of the concentration of potassium hydroxide in the product. |
| KPA | kilopascal   |
| KPH | kilogram of potassium hydroxide (caustic potash)<br>A unit of mass equal to one thousand grams of potassium hydroxide (caustic potash).  |
| KPO | kilogram of potassium oxide<br>A unit of mass equal to one thousand grams of potassium oxide.  |
| KPP | kilogram of phosphorus pentoxide (phosphoric anhydride)<br>A unit of mass equal to one thousand grams of phosphorus pentoxide phosphoric anhydride.  |
| KR  | kiloroentgen   |
| KSD | kilogram of substance 90 % dry<br>A unit of mass equal to one thousand grams of a named substance that is 90% dry.   |
| KSH | kilogram of sodium hydroxide (caustic soda)<br>A unit of mass equal to one thousand grams of sodium hydroxide (caustic soda).  |
| KT  | kit<br>A unit of count defining the number of kits (kit: tub, barrel or pail).   |
| KTN | kilotonne  |

**Used Codes**

|     |   |
|-----|---|
| KUR | kilogram of uranium<br>A unit of mass equal to one thousand grams of uranium.   |
| KVA | kilovolt - ampere   |
| KVR | kilovar   |
| KVT | kilovolt  |
| KW  | kilogram per millimetre   |
| KWH | kilowatt hour   |
| KWN | Kilowatt hour per normalized cubic metre<br>Kilowatt hour per normalized cubic metre (temperature 0°C and pressure 1013.25 millibars ). |
| KWO | kilogram of tungsten trioxide<br>A unit of mass equal to one thousand grams of tungsten trioxide.                                       |
| KWS | Kilowatt hour per standard cubic metre<br>Kilowatt hour per standard cubic metre (temperature 15°C and pressure 1013.25 millibars).     |
| KWT | kilowatt  |
| KWY | kilowatt year<br>killowatt year   |
| KX  | millilitre per kilogram   |
| L10 | quart (US liquid) per minute  |
| L11 | quart (US liquid) per second  |
| L12 | metre per second kelvin   |
| L13 | metre per second bar  |
| L14 | square metre hour degree Celsius per kilocalorie (international table)  |
| L15 | millipascal second per kelvin   |
| L16 | millipascal second per bar  |
| L17 | milligram per cubic metre kelvin  |
| L18 | milligram per cubic metre bar   |
| L19 | millilitre per litre  |
| L2  | litre per minute  |
| L20 | reciprocal cubic millimetre   |
| L21 | cubic millimetre per cubic metre  |
| L23 | mole per hour   |
| L24 | mole per kilogram kelvin  |
| L25 | mole per kilogram bar   |

**Used Codes**

|     |                                     |
|-----|-------------------------------------|
| L26 | mole per litre kelvin               |
| L27 | mole per litre bar                  |
| L28 | mole per cubic metre kelvin         |
| L29 | mole per cubic metre bar            |
| L30 | mole per minute                     |
| L31 | milliroentgen aequivalent men       |
| L32 | nanogram per kilogram               |
| L33 | ounce (avoirdupois) per day         |
| L34 | ounce (avoirdupois) per hour        |
| L35 | ounce (avoirdupois) per minute      |
| L36 | ounce (avoirdupois) per second      |
| L37 | ounce (avoirdupois) per gallon (UK) |
| L38 | ounce (avoirdupois) per gallon (US) |
| L39 | ounce (avoirdupois) per cubic inch  |
| L40 | ounce (avoirdupois)-force           |
| L41 | ounce (avoirdupois)-force inch      |
| L42 | picosiemens per metre               |
| L43 | peck (UK)                           |
| L44 | peck (UK) per day                   |
| L45 | peck (UK) per hour                  |
| L46 | peck (UK) per minute                |
| L47 | peck (UK) per second                |
| L48 | peck (US dry) per day               |
| L49 | peck (US dry) per hour              |
| L50 | peck (US dry) per minute            |
| L51 | peck (US dry) per second            |
| L52 | psi per psi                         |
| L53 | pint (UK) per day                   |
| L54 | pint (UK) per hour                  |
| L55 | pint (UK) per minute                |
| L56 | pint (UK) per second                |
| L57 | pint (US liquid) per day            |
| L58 | pint (US liquid) per hour           |

**Used Codes**

|     |                                      |
|-----|--------------------------------------|
| L59 | pint (US liquid) per minute          |
| L60 | pint (US liquid) per second          |
| L63 | slug per day                         |
| L64 | slug per foot second                 |
| L65 | slug per cubic foot                  |
| L66 | slug per hour                        |
| L67 | slug per minute                      |
| L68 | slug per second                      |
| L69 | tonne per kelvin                     |
| L70 | tonne per bar                        |
| L71 | tonne per day                        |
| L72 | tonne per day kelvin                 |
| L73 | tonne per day bar                    |
| L74 | tonne per hour kelvin                |
| L75 | tonne per hour bar                   |
| L76 | tonne per cubic metre kelvin         |
| L77 | tonne per cubic metre bar            |
| L78 | tonne per minute                     |
| L79 | tonne per minute kelvin              |
| L80 | tonne per minute bar                 |
| L81 | tonne per second                     |
| L82 | tonne per second kelvin              |
| L83 | tonne per second bar                 |
| L84 | ton (UK shipping)                    |
| L85 | ton long per day                     |
| L86 | ton (US shipping)                    |
| L87 | ton short per degree Fahrenheit      |
| L88 | ton short per day                    |
| L89 | ton short per hour degree Fahrenheit |
| L90 | ton short per hour psi               |
| L91 | ton short per psi                    |
| L92 | ton (UK long) per cubic yard         |
| L93 | ton (US short) per cubic yard        |

**Used Codes**

|     |  |
|-----|--|
| L94 | ton-force (US short)   |
| L95 | common year  |
| L96 | sidereal year  |
| L98 | yard per degree Fahrenheit   |
| L99 | yard per psi   |
| LA  | pound per cubic inch   |
| LAC | lactose excess percentage<br>A unit of proportion defining the percentage of lactose in a product that exceeds a defined percentage level. |
| LBR | pound  |
| LBT | troy pound (US)  |
| LD  | litre per day  |
| LEF | leaf<br>A unit of count defining the number of leaves.   |
| LF  | linear foot<br>A unit of count defining the number of feet (12-inch) in length of a uniform width object.                                  |
| LH  | labour hour<br>A unit of time defining the number of labour hours.   |
| LK  | link<br>A unit of distance equal to 0.01 chain.  |
| LM  | linear metre<br>A unit of count defining the number of metres in length of a uniform width object.   |
| LN  | length<br>A unit of distance defining the linear extent of an item measured from end to end.   |
| LO  | lot [unit of procurement]<br>A unit of count defining the number of lots (lot: a collection of associated items).                          |
| LP  | liquid pound<br>A unit of mass defining the number of pounds of a liquid substance.  |
| LPA | litre of pure alcohol<br>A unit of volume equal to one litre of pure alcohol.  |
| LR  | layer<br>A unit of count defining the number of layers.  |



**Used Codes**

|     |   |
|-----|---|
| LS  | lump sum<br>A unit of count defining the number of whole or a complete monetary amounts.  |
| LTN | ton (UK) or long ton (US)<br>Synonym: gross ton (2240 lb)   |
| LTR | litre   |
| LUB | metric ton, lubricating oil<br>A unit of mass defining the number of metric tons of lubricating oil.  |
| LUM | lumen   |
| LUX | lux   |
| LY  | linear yard<br>A unit of count defining the number of 36-inch units in length of a uniform width object.  |
| M1  | milligram per litre   |
| M10 | reciprocal cubic yard   |
| M11 | cubic yard per degree Fahrenheit  |
| M12 | cubic yard per day  |
| M13 | cubic yard per hour   |
| M14 | cubic yard per psi  |
| M15 | cubic yard per minute   |
| M16 | cubic yard per second   |
| M17 | kilohertz metre   |
| M18 | gigahertz metre   |
| M19 | Beaufort<br>An empirical measure for describing wind speed based mainly on observed sea conditions. The Beaufort scale indicates the wind speed by numbers that typically range from 0 for calm, to 12 for hurricane. |
| M20 | reciprocal megakelvin or megakelvin to the power minus one  |
| M21 | reciprocal kilovolt - ampere reciprocal hour  |
| M22 | millilitre per square centimetre minute   |
| M23 | newton per centimetre   |
| M24 | ohm kilometre   |
| M25 | percent per degree Celsius<br>A unit of proportion, equal to 0.01, in relation to a temperature of one degree.  |
| M26 | gigaohm per metre   |
| M27 | megahertz metre   |

**Used Codes**

|     |   |
|-----|---|
| M29 | kilogram per kilogram   |
| M30 | reciprocal volt - ampere reciprocal second  |
| M31 | kilogram per kilometre  |
| M32 | pascal second per litre   |
| M33 | millimole per litre   |
| M34 | newton metre per square metre   |
| M35 | millivolt - ampere  |
| M36 | 30-day month<br>A unit of count defining the number of months expressed in multiples of 30 days, one day equals 24 hours.   |
| M37 | actual/360<br>A unit of count defining the number of years expressed in multiples of 360 days, one day equals 24 hours.   |
| M38 | kilometre per second squared<br>1000-fold of the SI base unit metre divided by the power of the SI base unit second by exponent 2.  |
| M39 | centimetre per second squared<br>0,01-fold of the SI base unit metre divided by the power of the SI base unit second by exponent 2.                                       |
| M4  | monetary value<br>A unit of measure expressed as a monetary amount.   |
| M40 | yard per second squared<br>Unit of the length according to the Anglo-American and Imperial system of units divided by the power of the SI base unit second by exponent 2. |
| M41 | millimetre per second squared<br>0,001-fold of the SI base unit metre divided by the power of the SI base unit second by exponent 2.                                      |
| M42 | mile (statute mile) per second squared<br>Unit of the length according to the Imperial system of units divided by the power of the SI base unit second by exponent 2.     |
| M43 | mil<br>Unit to indicate an angle at military zone, equal to the 6400th part of the full circle of the 360° or 2·p·rad.  |
| M44 | revolution<br>Unit to identify an angle of the full circle of 360° or 2·p·rad (Refer ISO/TC12 SI Guide).  |
| M45 | degree [unit of angle] per second squared<br>360 part of a full circle divided by the power of the SI base unit second and the exponent 2.                                |

**Used Codes**

|     |  |
|-----|--|
| M46 | revolution per minute<br>Unit of the angular velocity.   |
| M47 | circular mil<br>Unit of an area, of which the size is given by a diameter of length of 1 mm (0,001 in) based on the formula: $\text{area} = \pi \cdot (\text{diameter}/2)^2$ . |
| M48 | square mile (based on U.S. survey foot)<br>Unit of the area, which is mainly common in the agriculture and forestry.   |
| M49 | chain (based on U.S. survey foot)<br>Unit of the length according the Anglo-American system of units.  |
| M5  | microcurie   |
| M50 | furlong<br>Unit commonly used in Great Britain at rural distances: 1 furlong = 40 rods = 10 chains (UK) = 1/8 mile = 1/10 furlong = 220 yards = 660 foot.                      |
| M51 | foot (U.S. survey)<br>Unit commonly used in the United States for ordnance survey.   |
| M52 | mile (based on U.S. survey foot)<br>Unit commonly used in the United States for ordnance survey.   |
| M53 | metre per pascal<br>SI base unit metre divided by the derived SI unit pascal.  |
| M55 | metre per radiant<br>Unit of the translation factor for implementation from rotation to linear movement.   |
| M56 | shake<br>Unit for a very short period.   |
| M57 | mile per minute<br>Unit of velocity from the Imperial system of units.   |
| M58 | mile per second<br>Unit of the velocity from the Imperial system of units.   |
| M59 | metre per second pascal<br>SI base unit meter divided by the product of SI base unit second and the derived SI unit pascal.  |
| M60 | metre per hour<br>SI base unit metre divided by the unit hour.   |
| M61 | inch per year<br>Unit of the length according to the Anglo-American and Imperial system of units divided by the unit common year with 365 days.                                |
| M62 | kilometre per second<br>1000-fold of the SI base unit metre divided by the SI base unit second.  |

**Used Codes**

|     |  |
|-----|--|
| M63 | inch per minute<br>Unit inch according to the Anglo-American and Imperial system of units divided by the unit minute.  |
| M64 | yard per second<br>Unit yard according to the Anglo-American and Imperial system of units divided by the SI base unit second.  |
| M65 | yard per minute<br>Unit yard according to the Anglo-American and Imperial system of units divided by the unit minute.  |
| M66 | yard per hour<br>Unit yard according to the Anglo-American and Imperial system of units divided by the unit hour.  |
| M67 | acre-foot (based on U.S. survey foot)<br>Unit of the volume, which is used in the United States to measure/gauge the capacity of reservoirs.                           |
| M68 | cord (128 ft <sup>3</sup> )<br>Traditional unit of the volume of stacked firewood which has been measured with a cord.   |
| M69 | cubic mile (UK statute)<br>Unit of volume according to the Imperial system of units.   |
| M7  | micro-inch   |
| M70 | ton, register<br>Traditional unit of the cargo capacity.   |
| M71 | cubic metre per pascal<br>Power of the SI base unit meter by exponent 3 divided by the derived SI base unit pascal.  |
| M72 | bel<br>Logarithmic relationship to base 10.  |
| M73 | kilogram per cubic metre pascal<br>SI base unit kilogram divided by the product of the power of the SI base unit metre with exponent 3 and the derived SI unit pascal. |
| M74 | kilogram per pascal<br>SI base unit kilogram divided by the derived SI unit pascal.  |
| M75 | kilopound-force<br>1000-fold of the unit of the force pound-force (lbf) according to the Anglo-American system of units with the relationship.                         |
| M76 | poundal<br>Non SI-conforming unit of the power, which corresponds to a mass of a pound multiplied with the acceleration of a foot per square second.                   |

**Used Codes**

|     |   |
|-----|---|
| M77 | kilogram metre per second squared<br>Product of the SI base unit kilogram and the SI base unit metre divided by the power of the SI base unit second by exponent 2.   |
| M78 | pond<br>0,001-fold of the unit of the weight, defined as a mass of 1 kg which finds out about a weight strength from 1 kp by the gravitational force at sea level which corresponds to a strength of 9,806 65 newton.   |
| M79 | square foot per hour<br>Power of the unit foot according to the Anglo-American and Imperial system of units by exponent 2 divided by the unit of time hour.   |
| M80 | stokes per pascal<br>CGS (Centimetre-Gram-Second system) unit stokes divided by the derived SI unit pascal.   |
| M81 | square centimetre per second<br>0,000 1-fold of the power of the SI base unit metre by exponent 2 divided by the SI base unit second.   |
| M82 | square metre per second pascal<br>Power of the SI base unit metre with the exponent 2 divided by the SI base unit second and the derived SI unit pascal.  |
| M83 | denier<br>Traditional unit for the indication of the linear mass of textile fibers and yarns.   |
| M84 | pound per yard<br>Unit for linear mass according to avoirdupois system of units.  |
| M85 | ton, assay<br>Non SI-conforming unit of the mass used in the mineralogy to determine the concentration of precious metals in ore according to the mass of the precious metal in milligrams in a sample of the mass of an assay sound (number of troy ounces in a short ton (1 000 lb)). |
| M86 | pfund<br>Outdated unit of the mass used in Germany.   |
| M87 | kilogram per second pascal<br>SI base unit kilogram divided by the product of the SI base unit second and the derived SI unit pascal.   |
| M88 | tonne per month<br>Unit tonne divided by the unit month.  |
| M89 | tonne per year<br>Unit tonne divided by the unit year with 365 days.  |
| M9  | million Btu per 1000 cubic foot   |
| M90 | kilopound per hour<br>1000-fold of the unit of the mass avoirdupois pound according to the avoirdupois unit system divided by the unit hour.  |

**Used Codes**

|     |   |
|-----|---|
| M91 | pound per pound<br>Proportion of the mass consisting of the avoirdupois pound according to the avoirdupois unit system divided by the avoirdupois pound according to the avoirdupois unit system.             |
| M92 | pound-force foot<br>Product of the unit pound-force according to the Anglo-American system of units and the unit foot according to the Anglo-American and the Imperial system of units.                       |
| M93 | newton metre per radian<br>Product of the derived SI unit newton and the SI base unit metre divided by the unit radian.   |
| M94 | kilogram metre<br>Unit of imbalance as a product of the SI base unit kilogram and the SI base unit metre.   |
| M95 | poundal foot<br>Product of the non SI-conforming unit of the force poundal and the unit foot according to the Anglo-American and Imperial system of units .   |
| M96 | poundal inch<br>Product of the non SI-conforming unit of the force poundal and the unit inch according to the Anglo-American and Imperial system of units .   |
| M97 | dyne metre<br>CGS (Centimetre-Gram-Second system) unit of the rotational moment.  |
| M98 | kilogram centimetre per second<br>Product of the SI base unit kilogram and the 0,01-fold of the SI base unit metre divided by the SI base unit second.  |
| M99 | gram centimetre per second<br>Product of the 0,001-fold of the SI base unit kilogram and the 0,01-fold of the SI base unit metre divided by the SI base unit second.  |
| MAH | megavolt ampere reactive hour<br>A unit of electrical reactive power defining the total amount of reactive power across a power system.   |
| MAL | megalitre   |
| MAM | megametre   |
| MAR | megavar<br>A unit of electrical reactive power represented by a current of one thousand amperes flowing due a potential difference of one thousand volts where the sine of the phase angle between them is 1. |
| MAW | megawatt<br>A unit of power defining the rate of energy transferred or consumed when a current of 1000 amperes flows due to a potential of 1000 volts at unity power factor.                                  |

**Used Codes**

|     |   |
|-----|---|
| MBE | thousand standard brick equivalent<br>A unit of count defining the number of one thousand brick equivalent units.                                 |
| MBF | thousand board foot<br>A unit of volume equal to one thousand board foot.   |
| MBR | millibar  |
| MC  | microgram   |
| MCU | millicurie  |
| MD  | air dry metric ton<br>A unit of count defining the number of metric tons of a product, disregarding the water content of the product.             |
| MGM | milligram   |
| MHZ | megahertz   |
| MIK | square mile (statute mile)  |
| MIL | thousand  |
| MIN | minute [unit of time]   |
| MIO | million   |
| MIU | million international unit<br>A unit of count defining the number of international units in multiples of 10 to the power of 6.                    |
| MKD | Square Metre Day<br>Unit for measuring physical dimensions and time as required by DIN 18451  |
| MKM | Square Metre Month<br>Unit for measuring physical dimensions and time as required by DIN 18451  |
| MKW | Square Metre Week<br>Unit for measuring physical dimensions and time as required by DIN 18451   |
| MLD | milliard<br>Synonym: billion (US)   |
| MLT | millilitre  |
| MMK | square millimetre   |
| MMQ | cubic millimetre  |
| MMT | millimetre  |
| MND | kilogram, dry weight<br>A unit of mass defining the number of kilograms of a product, disregarding the water content of the product.              |
| MNJ | Mega Joule per Normalised cubic Metre<br>Energy in Mega Joules per normalised cubic metre for gas (temperature 0°C and pressure 101325 millibars) |

**Used Codes**

|     |   |
|-----|---|
| MON | month<br>Unit of time equal to 1/12 of a year of 365,25 days.   |
| MPA | megapascal  |
| MQD | Cubic Metre Day<br>Unit for measuring physical dimensions and time as required by DIN 18451   |
| MQH | cubic metre per hour  |
| MQM | Cubic Metre Month<br>Unit for measuring physical dimensions and time as required by DIN 18451   |
| MQS | cubic metre per second  |
| MQW | Cubic Metre Week<br>Unit for measuring physical dimensions and time as required by DIN 18451  |
| MRD | Metre Day<br>Unit for measuring physical dimensions and time as required by DIN 18451   |
| MRM | Metre Month<br>Unit for measuring physical dimensions and time as required by DIN 18451   |
| MRW | Metre Week<br>Unit for measuring physical dimensions and time, as required by DIN 18451   |
| MSK | metre per second squared  |
| MTK | square metre  |
| MTQ | cubic metre<br>Synonym: metre cubed   |
| MTR | metre   |
| MTS | metre per second  |
| MTZ | milihertz<br>A unit of frequency equal to 0.001 cycle per second  |
| MVA | megavolt - ampere   |
| MWH | megawatt hour (1000 kW.h)<br>A unit of power defining the total amount of bulk energy transferred or consumed.  |
| N1  | pen calorie<br>A unit of count defining the number of calories prescribed daily for parenteral/enteral therapy.   |
| N10 | pound foot per second<br>Product of the avoirdupois pound according to the avoirdupois unit system and the unit foot according to the Anglo-American and Imperial system of units divided by the SI base unit second. |



## Used Codes

|     |  |
|-----|--|
| N11 | pound inch per second<br>Product of the avoirdupois pound according to the avoirdupois unit system and the unit inch according to the Anglo-American and Imperial system of units divided by the SI base unit second.  |
| N12 | Pferdestaerke<br>Obsolete unit of the power relating to DIN 1301-3:1979: 1 PS = 735,498 75 W.  |
| N13 | centimetre of mercury (0 °C)<br>Non SI-conforming unit of pressure, at which a value of 1 cmHg meets the static pressure, which is generated by a mercury at a temperature of 0 °C with a height of 1 centimetre .   |
| N14 | centimetre of water (4 °C)<br>Non SI-conforming unit of pressure, at which a value of 1 cmH <sub>2</sub> O meets the static pressure, which is generated by a head of water at a temperature of 4 °C with a height of 1 centimetre .   |
| N15 | foot of water (39.2 °F)<br>Non SI-conforming unit of pressure according to the Anglo-American and Imperial system for units, whereas the value of 1 ftH <sub>2</sub> O is equivalent to the static pressure, which is generated by a head of water at a temperature 39,2°F with a height of 1 foot . |
| N16 | inch of mercury (32 °F)<br>Non SI-conforming unit of pressure according to the Anglo-American and Imperial system for units, whereas the value of 1 inHg meets the static pressure, which is generated by a mercury at a temperature of 32°F with a height of 1 inch.                                |
| N17 | inch of mercury (60 °F)<br>Non SI-conforming unit of pressure according to the Anglo-American and Imperial system for units, whereas the value of 1 inHg meets the static pressure, which is generated by a mercury at a temperature of 60°F with a height of 1 inch.                                |
| N18 | inch of water (39.2 °F)<br>Non SI-conforming unit of pressure according to the Anglo-American and Imperial system for units, whereas the value of 1 inH <sub>2</sub> O meets the static pressure, which is generated by a head of water at a temperature of 39,2°F with a height of 1 inch .         |
| N19 | inch of water (60 °F)<br>Non SI-conforming unit of pressure according to the Anglo-American and Imperial system for units, whereas the value of 1 inH <sub>2</sub> O meets the static pressure, which is generated by a head of water at a temperature of 60°F with a height of 1 inch .             |
| N20 | kip per square inch<br>Non SI-conforming unit of the pressure according to the Anglo-American system of units as the 1000-fold of the unit of the force pound-force divided by the power of the unit inch by exponent 2.   |

**Used Codes**

|     |  |
|-----|--|
| N21 | poundal per square foot<br>Non SI-conforming unit of pressure by the Imperial system of units according to NIST: $1 \text{ pdl/ft}^2 = 1,488 \text{ 164 Pa}$ .   |
| N22 | ounce (avoirdupois) per square inch<br>Unit of the surface specific mass (avoirdupois ounce according to the avoirdupois system of units according to the surface square inch according to the Anglo-American and Imperial system of units). |
| N23 | conventional metre of water<br>Not SI-conforming unit of pressure, whereas a value of 1 mH <sub>2</sub> O is equivalent to the static pressure, which is produced by one metre high water column .   |
| N24 | gram per square millimetre<br>0,001-fold of the SI base unit kilogram divided by the 0.000 001-fold of the power of the SI base unit meter by exponent 2.  |
| N25 | pound per square yard<br>Unit for areal-related mass as a unit pound according to the avoirdupois unit system divided by the power of the unit yard according to the Anglo-American and Imperial system of units with exponent 2.            |
| N26 | poundal per square inch<br>Non SI-conforming unit of the pressure according to the Imperial system of units (poundal by square inch).  |
| N27 | foot to the fourth power<br>Power of the unit foot according to the Anglo-American and Imperial system of units by exponent 4 according to NIST: $1 \text{ ft}^4 = 8,630 \text{ 975 m}^4$ .  |
| N28 | cubic decimetre per kilogram<br>0,001 fold of the power of the SI base unit meter by exponent 3 divided by the SI based unit kilogram.   |
| N29 | cubic foot per pound<br>Power of the unit foot according to the Anglo-American and Imperial system of units by exponent 3 divided by the unit avoirdupois pound according to the avoirdupois unit system.                                    |
| N3  | print point  |
| N30 | cubic inch per pound<br>Power of the unit inch according to the Anglo-American and Imperial system of units by exponent 3 divided by the avoirdupois pound according to the avoirdupois unit system .  |
| N31 | kilonewton per metre<br>1000-fold of the derived SI unit newton divided by the SI base unit metre.   |
| N32 | poundal per inch<br>Non SI-conforming unit of the surface tension according to the Imperial unit system as quotient poundal by inch.   |
| N33 | pound-force per yard<br>Unit of force per unit length based on the Anglo-American system of units.   |

**Used Codes**

|     |   |
|-----|---|
| N34 | poundal second per square foot<br>Non SI-conforming unit of viscosity.  |
| N35 | poise per pascal<br>CGS (Centimetre-Gram-Second system) unit poise divided by the derived SI unit pascal.   |
| N36 | newton second per square metre<br>Unit of the dynamic viscosity as a product of unit of the pressure (newton by square metre) multiplied with the SI base unit second.  |
| N37 | kilogram per metre second<br>Unit of the dynamic viscosity as a quotient SI base unit kilogram divided by the SI base unit metre and by the SI base unit second.  |
| N38 | kilogram per metre minute<br>Unit of the dynamic viscosity as a quotient SI base unit kilogram divided by the SI base unit metre and by the unit minute.  |
| N39 | kilogram per metre day<br>Unit of the dynamic viscosity as a quotient SI base unit kilogram divided by the SI base unit metre and by the unit day.  |
| N40 | kilogram per metre hour<br>Unit of the dynamic viscosity as a quotient SI base unit kilogram divided by the SI base unit metre and by the unit hour.  |
| N41 | gram per centimetre second<br>Unit of the dynamic viscosity as a quotient of the 0,001-fold of the SI base unit kilogram divided by the 0,01-fold of the SI base unit metre and SI base unit second.                    |
| N42 | poundal second per square inch<br>Non SI-conforming unit of dynamic viscosity according to the Imperial system of units as product unit of the pressure (poundal by square inch) multiplied by the SI base unit second. |
| N43 | pound per foot minute<br>Unit of the dynamic viscosity according to the Anglo-American unit system.   |
| N44 | pound per foot day<br>Unit of the dynamic viscosity according to the Anglo-American unit system.  |
| N45 | cubic metre per second pascal<br>Power of the SI base unit meter by exponent 3 divided by the product of the SI base unit second and the derived SI base unit pascal.   |
| N46 | foot poundal<br>Unit of the work (force-path).  |
| N47 | inch poundal<br>Unit of work (force multiplied by path) according to the Imperial system of units as a product unit inch multiplied by poundal.   |

**Used Codes**

|     |  |
|-----|--|
| N48 | watt per square centimetre<br>Derived SI unit watt divided by the power of the 0,01-fold the SI base unit metre by exponent 2.                                 |
| N49 | watt per square inch<br>Derived SI unit watt divided by the power of the unit inch according to the Anglo-American and Imperial system of units by exponent 2. |
| N50 | British thermal unit (international table) per square foot hour<br>Unit of the surface heat flux according to the Imperial system of units.                    |
| N51 | British thermal unit (thermochemical) per square foot hour<br>Unit of the surface heat flux according to the Imperial system of units.                         |
| N52 | British thermal unit (thermochemical) per square foot minute<br>Unit of the surface heat flux according to the Imperial system of units.                       |
| N53 | British thermal unit (international table) per square foot second<br>Unit of the surface heat flux according to the Imperial system of units.                  |
| N54 | British thermal unit (thermochemical) per square foot second<br>Unit of the surface heat flux according to the Imperial system of units.                       |
| N55 | British thermal unit (international table) per square inch second<br>Unit of the surface heat flux according to the Imperial system of units.                  |
| N56 | calorie (thermochemical) per square centimetre minute<br>Unit of the surface heat flux according to the Imperial system of units.                              |
| N57 | calorie (thermochemical) per square centimetre second<br>Unit of the surface heat flux according to the Imperial system of units.                              |
| N58 | British thermal unit (international table) per cubic foot<br>Unit of the energy density according to the Imperial system of units.                             |
| N59 | British thermal unit (thermochemical) per cubic foot<br>Unit of the energy density according to the Imperial system of units.                                  |
| N60 | British thermal unit (international table) per degree Fahrenheit<br>Unit of the heat capacity according to the Imperial system of units.                       |
| N61 | British thermal unit (thermochemical) per degree Fahrenheit<br>Unit of the heat capacity according to the Imperial system of units.                            |
| N62 | British thermal unit (international table) per degree Rankine<br>Unit of the heat capacity according to the Imperial system of units.                          |
| N63 | British thermal unit (thermochemical) per degree Rankine<br>Unit of the heat capacity according to the Imperial system of units.                               |

## Used Codes

---

|     |   |
|-----|---|
| N64 | British thermal unit (thermochemical) per pound degree Rankine<br>Unit of the heat capacity (British thermal unit according to the international table according to the Rankine degree) according to the Imperial system of units divided by the unit avoirdupois pound according to the avoirdupois system of units. |
| N65 | kilocalorie (international table) per gram kelvin<br>Unit of the mass-related heat capacity as quotient 1000-fold of the calorie (international table) divided by the product of the 0,001-fold of the SI base units kilogram and kelvin.   |
| N66 | British thermal unit (39 °F)<br>Unit of heat energy according to the Imperial system of units in a reference temperature of 39 °F.  |
| N67 | British thermal unit (59 °F)<br>Unit of heat energy according to the Imperial system of units in a reference temperature of 59 °F.  |
| N68 | British thermal unit (60 °F)<br>Unit of head energy according to the Imperial system of units at a reference temperature of 60 °F.  |
| N69 | calorie (20 °C)<br>Unit for quantity of heat, which is to be required for 1 g air free water at a constant pressure from 101,325 kPa, to warm up the pressure of standard atmosphere at sea level, from 19,5 °C on 20,5 °C.   |
| N70 | quad (1015 BtuIT)<br>Unit of heat energy according to the imperial system of units.   |
| N71 | therm (EC)<br>Unit of heat energy in commercial use, within the EU defined: 1 thm (EC) = 100 000 BtuIT.   |
| N72 | therm (U.S.)<br>Unit of heat energy in commercial use.  |
| N73 | British thermal unit (thermochemical) per pound<br>Unit of the heat energy according to the Imperial system of units divided the unit avoirdupois pound according to the avoirdupois system of units.   |
| N74 | British thermal unit (international table) per hour square foot degree Fahrenheit<br>Unit of the heat transition coefficient according to the Imperial system of units.   |
| N75 | British thermal unit (thermochemical) per hour square foot degree Fahrenheit<br>Unit of the heat transition coefficient according to the imperial system of units.  |
| N76 | British thermal unit (international table) per second square foot degree Fahrenheit<br>Unit of the heat transition coefficient according to the imperial system of units.   |

**Used Codes**

|     |  |
|-----|--|
| N77 | British thermal unit (thermochemical) per second square foot degree Fahrenheit<br>Unit of the heat transition coefficient according to the imperial system of units.               |
| N78 | kilowatt per square metre kelvin<br>1000-fold of the derived SI unit watt divided by the product of the power of the SI base unit metre by exponent 2 and the SI base unit kelvin. |
| N79 | kelvin per pascal<br>SI base unit kelvin divided by the derived SI unit pascal.  |
| N80 | watt per metre degree Celsius<br>Derived SI unit watt divided by the product of the SI base unit metre and the unit for temperature degree Celsius.                                |
| N81 | kilowatt per metre kelvin<br>1000-fold of the derived SI unit watt divided by the product of the SI base unit metre and the SI base unit kelvin.                                   |
| N82 | kilowatt per metre degree Celsius<br>1000-fold of the derived SI unit watt divided by the product of the SI base unit metre and the unit for temperature degree Celsius.           |
| N83 | metre per degree Celsius metre<br>SI base unit metre divided by the product of the unit degree Celsius and the SI base unit metre.   |
| N84 | degree Fahrenheit hour per British thermal unit (international table)<br>Non SI-conforming unit of the thermal resistance according to the Imperial system of units.               |
| N85 | degree Fahrenheit hour per British thermal unit (thermochemical)<br>Non SI-conforming unit of the thermal resistance according to the Imperial system of units.                    |
| N86 | degree Fahrenheit second per British thermal unit (international table)<br>Non SI-conforming unit of the thermal resistance according to the Imperial system of units.             |
| N87 | degree Fahrenheit second per British thermal unit (thermochemical)<br>Non SI-conforming unit of the thermal resistance according to the Imperial system of units.                  |
| N88 | degree Fahrenheit hour square foot per British thermal unit (international table) inch<br>Unit of specific thermal resistance according to the Imperial system of units.           |
| N89 | degree Fahrenheit hour square foot per British thermal unit (thermochemical) inch<br>Unit of specific thermal resistance according to the Imperial system of units.                |
| N90 | kilofarad<br>1000-fold of the derived SI unit farad.   |

**Used Codes**

|     |  |
|-----|--|
| N91 | reciprocal joule<br>Reciprocal of the derived SI unit joule.   |
| N92 | pico Siemens<br>0,000 000 000 001-fold of the derived SI unit siemens.   |
| N93 | ampere per pascal<br>SI base unit ampere divided by the derived SI unit pascal.  |
| N94 | franklin<br>CGS (Centimetre-Gram-Second system) unit of the electrical charge, where the charge amounts to exactly 1 Fr where the force of 1 dyn on an equal load is performed at a distance of 1 cm.                        |
| N95 | ampere minute<br>A unit of electric charge defining the amount of charge accumulated by a steady flow of one ampere for one minute..   |
| N96 | biot<br>CGS (Centimetre-Gram-Second system) unit of the electric power which is defined by a force of 2 dyn per cm between two parallel conductors of infinite length with negligible cross-section in the distance of 1 cm. |
| N97 | gilbert<br>CGS (Centimetre-Gram-Second system) unit of the magnetomotive force, which is defined by the work to increase the magnetic potential of a positive common pole with 1 erg.  |
| N98 | volt per pascal<br>Derived SI unit volt divided by the derived SI unit pascal.   |
| N99 | picovolt<br>0,000 000 000 001-fold of the derived SI unit volt.  |
| NA  | milligram per kilogram   |
| NAR | number of articles<br>A unit of count defining the number of articles (article: item).   |
| NCL | number of cells<br>A unit of count defining the number of cells (cell: an enclosed or circumscribed space, cavity, or volume).   |
| NEW | newton   |
| NF  | message<br>A unit of count defining the number of messages.  |
| NIL | nil<br>A unit of count defining the number of instances of nothing.  |
| NIU | number of international units<br>A unit of count defining the number of international units.   |

## Used Codes

---

|     |  |
|-----|--|
| NL  | load<br>A unit of volume defining the number of loads (load: a quantity of items carried or processed at one time).  |
| NM3 | Normalised cubic metre<br>Normalised cubic metre (temperature 0°C and pressure 1013.25 millibars )   |
| NMI | nautical mile  |
| NMP | number of packs<br>A unit of count defining the number of packs (pack: a collection of objects packaged together).   |
| NPR | number of pairs<br>A unit of count defining the number of pairs (pair: item described by two's).   |
| NPT | number of parts<br>A unit of count defining the number of parts (part: component of a larger entity).  |
| NQ  | mho  |
| NR  | micromho   |
| NT  | net ton<br>A unit of mass equal to 2000 pounds, see ton (US). Refer International Convention on tonnage measurement of Ships.  |
| NTT | net register ton<br>A unit of mass equal to the total cubic footage after deductions, where 1 register ton is equal to 100 cubic feet. Refer International Convention on tonnage measurement of Ships.           |
| NTU | Nephelometric turbidity unit<br>Nephelometric turbidity unit (NTU) is used for water turbidity level evaluation  |
| NU  | newton metre   |
| NX  | part per thousand<br>A unit of proportion equal to 10 to the power of -3.<br>Synonym: per mille  |
| OA  | panel<br>A unit of count defining the number of panels (panel: a distinct, usually rectangular, section of a surface).   |
| ODE | ozone depletion equivalent<br>A unit of mass defining the ozone depletion potential in kilograms of a product relative to the calculated depletion for the reference substance, Trichlorofluoromethane (CFC-11). |
| ODG | ODS Grams<br>A unit of measure calculated by multiplying the mass of the substance in grams and the ozone-depleting potential for the substance.   |



**Used Codes**

|     |  |
|-----|--|
| ODK | ODS Kilograms<br>A unit of measure calculated by multiplying the mass of the substance in kilograms and the ozone-depleting potential for the substance.   |
| ODM | ODS Milligrams<br>A unit of measure calculated by multiplying the mass of the substance in milligrams and the ozone-depleting potential for the substance. |
| OHM | ohm  |
| ON  | ounce per square yard  |
| ONZ | ounce (avoirdupois)  |
| OPM | oscillations per minute<br>The number of oscillations per minute.  |
| OT  | overtime hour<br>A unit of time defining the number of overtime hours.   |
| OZ  | ounce av<br>A unit of measure equal to 1/16 of a pound or about 28.3495 grams (av = avoirdupois). Use ounce (common code ONZ).                             |
| OZA | fluid ounce (US)   |
| OZI | fluid ounce (UK)   |
| P1  | percent<br>A unit of proportion equal to 0.01.   |
| P10 | coulomb per metre<br>Derived SI unit coulomb divided by the SI base unit metre.  |
| P11 | kiloweber<br>1000 fold of the derived SI unit weber.   |
| P12 | gamma<br>Unit of magnetic flow density.  |
| P13 | kilotesla<br>1000-fold of the derived SI unit tesla.   |
| P14 | joule per second<br>Quotient of the derived SI unit joule divided by the SI base unit second.  |
| P15 | joule per minute<br>Quotient from the derived SI unit joule divided by the unit minute.  |
| P16 | joule per hour<br>Quotient from the derived SI unit joule divided by the unit hour.  |
| P17 | joule per day<br>Quotient from the derived SI unit joule divided by the unit day.  |

**Used Codes**

|     |   |
|-----|---|
| P18 | kilojoule per second<br>Quotient from the 1000-fold of the derived SI unit joule divided by the SI base unit second.  |
| P19 | kilojoule per minute<br>Quotient from the 1000-fold of the derived SI unit joule divided by the unit minute.  |
| P2  | pound per foot  |
| P20 | kilojoule per hour<br>Quotient from the 1000-fold of the derived SI unit joule divided by the unit hour.  |
| P21 | kilojoule per day<br>Quotient from the 1000-fold of the derived SI unit joule divided by the unit day.  |
| P22 | nanoohm<br>0,000 000 001-fold of the derived SI unit ohm.   |
| P23 | ohm circular-mil per foot<br>Unit of resistivity.   |
| P24 | kilohenry<br>1000-fold of the derived SI unit henry.  |
| P25 | lumen per square foot<br>Derived SI unit lumen divided by the power of the unit foot according to the Anglo-American and Imperial system of units by exponent 2.  |
| P26 | phot<br>CGS (Centimetre-Gram-Second system) unit of luminance, defined as lumen by square centimetre.   |
| P27 | footcandle<br>Non SI conform traditional unit, defined as density of light which impinges on a surface which has a distance of one foot from a light source, which shines with an intensity of an international candle. |
| P28 | candela per square inch<br>SI base unit candela divided by the power of unit inch according to the Anglo-American and Imperial system of units by exponent 2.   |
| P29 | footlambert<br>Unit of the luminance according to the Anglo-American system of units, defined as emitted or reflected luminance of a $\text{lm}/\text{ft}^2$ .  |
| P30 | lambert<br>CGS (Centimetre-Gram-Second system) unit of luminance, defined as the emitted or reflected luminance by one lumen per square centimetre.   |
| P31 | stilb<br>CGS (Centimetre-Gram-Second system) unit of luminance, defined as emitted or reflected luminance by one lumen per square centimetre.   |

**Used Codes**

|     |   |
|-----|---|
| P32 | candela per square foot<br>Base unit SI candela divided by the power of the unit foot according to the Anglo-American and Imperial system of units by exponent 2.   |
| P33 | kilocandela<br>1000-fold of the SI base unit candela.   |
| P34 | millicandela<br>0,001-fold of the SI base unit candela.   |
| P35 | Hefner-Kerze<br>Obsolete, non-legal unit of the power in Germany relating to DIN 1301-3: 1979: 1 HK = 0,903 cd.   |
| P36 | international candle<br>Obsolete, non-legal unit of the power in Germany relating to DIN 1301-3: 1979: 1 HK = 1,019 cd.   |
| P37 | British thermal unit (international table) per square foot<br>Unit of the areal-related energy transmission according to the Imperial system of units.  |
| P38 | British thermal unit (thermochemical) per square foot<br>Unit of the areal-related energy transmission according to the Imperial system of units.   |
| P39 | calorie (thermochemical) per square centimetre<br>Unit of the areal-related energy transmission according to the Imperial system of units.  |
| P40 | langley<br>CGS (Centimetre-Gram-Second system) unit of the areal-related energy transmission (as a measure of the incident quantity of heat of solar radiation on the earth's surface).   |
| P41 | decade (logarithmic)<br>1 Dec := $\log_2 10 \sim 3,32$ according to the logarithm for frequency range between $f_1$ and $f_2$ , when $f_2/f_1 = 10$ .   |
| P42 | pascal squared second<br>Unit of the set as a product of the power of derived SI unit pascal with exponent 2 and the SI base unit second.   |
| P43 | bel per metre<br>Unit bel divided by the SI base unit metre.  |
| P44 | pound mole<br>Non SI-conforming unit of quantity of a substance relating that one pound mole of a chemical composition corresponds to the same number of pounds as the molecular weight of one molecule of this composition in atomic mass units. |

## Used Codes

---

|     |   |
|-----|---|
| P45 | pound mole per second<br>Non SI-conforming unit of the power of the amount of substance non-SI compliant unit of the molar flux relating that a pound mole of a chemical composition the same number of pound corresponds like the molecular weight of a molecule of this composition in atomic mass units. |
| P46 | pound mole per minute<br>Non SI-conforming unit of the power of the amount of substance non-SI compliant unit of the molar flux relating that a pound mole of a chemical composition the same number of pound corresponds like the molecular weight of a molecule of this composition in atomic mass units. |
| P47 | kilomole per kilogram<br>1000-fold of the SI base unit mol divided by the SI base unit kilogram.  |
| P48 | pound mole per pound<br>Non SI-conforming unit of the material molar flux divided by the avoirdupois pound for mass according to the avoirdupois unit system.   |
| P49 | newton square metre per ampere<br>Product of the derived SI unit newton and the power of SI base unit metre with exponent 2 divided by the SI base unit ampere.   |
| P5  | five pack<br>A unit of count defining the number of five-packs (five-pack: set of five items packaged together).  |
| P50 | weber metre<br>Product of the derived SI unit weber and SI base unit metre.   |
| P51 | mol per kilogram pascal<br>SI base unit mol divided by the product of the SI base unit kilogram and the derived SI unit pascal.   |
| P52 | mol per cubic metre pascal<br>SI base unit mol divided by the product of the power from the SI base unit metre with exponent 3 and the derived SI unit pascal.  |
| P53 | unit pole<br>CGS (Centimetre-Gram-Second system) unit for magnetic flux of a magnetic pole (according to the interaction of identical poles of 1 dyn at a distance of a cm).  |
| P54 | milligray per second<br>0,001-fold of the derived SI unit gray divided by the SI base unit second.  |
| P55 | microgray per second<br>0,000 001-fold of the derived SI unit gray divided by the SI base unit second.  |
| P56 | nanogray per second<br>0,000 000 001-fold of the derived SI unit gray divided by the SI base unit second.   |

**Used Codes**

|     |  |
|-----|--|
| P57 | gray per minute<br>SI derived unit gray divided by the unit minute.  |
| P58 | milligray per minute<br>0,001-fold of the derived SI unit gray divided by the unit minute.   |
| P59 | microgray per minute<br>0,000 001-fold of the derived SI unit gray divided by the unit minute.   |
| P60 | nanogray per minute<br>0,000 000 001-fold of the derived SI unit gray divided by the unit minute.  |
| P61 | gray per hour<br>SI derived unit gray divided by the unit hour.  |
| P62 | milligray per hour<br>0,001-fold of the derived SI unit gray divided by the unit hour.   |
| P63 | microgray per hour<br>0,000 001-fold of the derived SI unit gray divided by the unit hour.   |
| P64 | nanogray per hour<br>0,000 000 001-fold of the derived SI unit gray divided by the unit hour.  |
| P65 | sievert per second<br>Derived SI unit sievert divided by the SI base unit second.  |
| P66 | millisievert per second<br>0,001-fold of the derived SI unit sievert divided by the SI base unit second.   |
| P67 | microsievert per second<br>0,000 001-fold of the derived SI unit sievert divided by the SI base unit second.   |
| P68 | nanosievert per second<br>0,000 000 001-fold of the derived SI unit sievert divided by the SI base unit second.  |
| P69 | rem per second<br>Unit for the equivalent tin rate relating to DIN 1301-3:1979: $1 \text{ rem/s} = 0,01 \text{ J}/(\text{kg}\cdot\text{s}) = 1 \text{ Sv/s}$ . |
| P70 | sievert per hour<br>Derived SI unit sievert divided by the unit hour.  |
| P71 | millisievert per hour<br>0,001-fold of the derived SI unit sievert divided by the unit hour.   |
| P72 | microsievert per hour<br>0,000 001-fold of the derived SI unit sievert divided by the unit hour.   |
| P73 | nanosievert per hour<br>0,000 000 001-fold of the derived SI unit sievert divided by the unit hour.  |

**Used Codes**

|     |   |
|-----|---|
| P74 | sievert per minute<br>Derived SI unit sievert divided by the unit minute.   |
| P75 | millisievert per minute<br>0,001-fold of the derived SI unit sievert divided by the unit minute.  |
| P76 | microsievert per minute<br>0,000 001-fold of the derived SI unit sievert divided by the unit minute.  |
| P77 | nanosievert per minute<br>0,000 000 001-fold of the derived SI unit sievert divided by the unit minute.   |
| P78 | reciprocal square inch<br>Complement of the power of the unit inch according to the Anglo-American and Imperial system of units by exponent 2.  |
| P79 | pascal square metre per kilogram<br>Unit of the burst index as derived unit for pressure pascal related to the substance, represented as a quotient from the SI base unit kilogram divided by the power of the SI base unit metre by exponent 2.  |
| P80 | millipascal per metre<br>0,001-fold of the derived SI unit pascal divided by the SI base unit metre.  |
| P81 | kilopascal per metre<br>1000-fold of the derived SI unit pascal divided by the SI base unit metre.  |
| P82 | hectopascal per metre<br>100-fold of the derived SI unit pascal divided by the SI base unit metre.  |
| P83 | standard atmosphere per metre<br>Outdated unit of the pressure divided by the SI base unit metre.   |
| P84 | technical atmosphere per metre<br>Obsolete and non-legal unit of the pressure which is generated by a 10 metre water column divided by the SI base unit metre.  |
| P85 | torr per metre<br>CGS (Centimetre-Gram-Second system) unit of the pressure divided by the SI base unit metre.   |
| P86 | psi per inch<br>Compound unit for pressure (pound-force according to the Anglo-American unit system divided by the power of the unit inch according to the Anglo-American and Imperial system of units with the exponent 2) divided by the unit inch according to the Anglo-American and Imperial system of units . |
| P87 | cubic metre per second square metre<br>Unit of volume flow cubic meters by second related to the transmission surface in square metres.   |
| P88 | rhe<br>Non SI-conforming unit of fluidity of dynamic viscosity.   |

**Used Codes**

|     |   |
|-----|---|
| P89 | pound-force foot per inch<br>Unit for length-related rotational moment according to the Anglo-American and Imperial system of units.  |
| P90 | pound-force inch per inch<br>Unit for length-related rotational moment according to the Anglo-American and Imperial system of units.  |
| P91 | perm (0 °C)<br>Traditional unit for the ability of a material to allow the transition of the steam, defined at a temperature of 0 °C as steam transmittance, where the mass of one grain steam penetrates an area of one foot squared at a pressure from one inch mercury per hour.     |
| P92 | perm (23 °C)<br>Traditional unit for the ability of a material to allow the transition of the steam, defined at a temperature of 23 °C as steam transmittance at which the mass of one grain of steam penetrates an area of one square foot at a pressure of one inch mercury per hour. |
| P93 | byte per second<br>Unit byte divided by the SI base unit second.  |
| P94 | kilobyte per second<br>1000-fold of the unit byte divided by the SI base unit second.   |
| P95 | megabyte per second<br>1 000 000-fold of the unit byte divided by the SI base unit second.  |
| P96 | reciprocal volt<br>Reciprocal of the derived SI unit volt.  |
| P97 | reciprocal radian<br>Reciprocal of the unit radian.   |
| P98 | pascal to the power sum of stoichiometric numbers<br>Unit of the equilibrium constant on the basis of the pressure(ISO 80000-9: 2009, 9-35.a).  |
| P99 | mole per cubiv metre to the power sum of stoichiometric numbers<br>Unit of the equilibrium constant on the basis of the concentration (ISO 80000-9:2009, 9-36.a).   |
| PAL | pascal  |
| PD  | pad<br>A unit of count defining the number of pads (pad: block of paper sheets fastened together at one end).   |
| PFL | proof litre<br>A unit of volume equal to one litre of proof spirits, or the alcohol equivalent thereof. Used for measuring the strength of distilled alcoholic liquors, expressed as a percentage of the alcohol content of a standard mixture at a specific temperature.               |

## Used Codes

---

|     |   |
|-----|---|
| PGL | proof gallon<br>A unit of volume equal to one gallon of proof spirits, or the alcohol equivalent thereof. Used for measuring the strength of distilled alcoholic liquors, expressed as a percentage of the alcohol content of a standard mixture at a specific temperature. |
| PI  | pitch<br>A unit of count defining the number of characters that fit in a horizontal inch.   |
| PLA | degree Plato<br>A unit of proportion defining the sugar content of a product, especially in relation to beer.   |
| PO  | pound per inch of length  |
| PQ  | page per inch<br>A unit of quantity defining the degree of thickness of a bound publication, expressed as the number of pages per inch of thickness.  |
| PR  | pair<br>A unit of count defining the number of pairs (pair: item described by two's).   |
| PS  | pound-force per square inch   |
| PT  | pint (US)<br>Use liquid pint (common code PTL)  |
| PTD | dry pint (US)   |
| PTI | pint (UK)   |
| PTL | liquid pint (US)  |
| PTN | portion<br>A quantity of allowance of food allotted to, or enough for, one person.  |
| Q10 | joule per tesla<br>Unit of the magnetic dipole moment of the molecule as derived SI unit joule divided by the derived SI unit tesla.  |
| Q11 | erlang<br>Unit of the market value according to the feature of a single feature as a statistical measurement of the existing utilization.   |
| Q12 | octet<br>Synonym for byte: 1 octet = 8 bit = 1 byte.  |
| Q13 | octet per second<br>Unit octet divided by the SI base unit second.  |
| Q14 | shannon<br>Logarithmic unit for information equal to the content of decision of a sentence of two mutually exclusive events, expressed as a logarithm to base 2.  |



**Used Codes**

|     |   |
|-----|---|
| Q15 | hartley<br>Logarithmic unit for information equal to the content of decision of a sentence of ten mutually exclusive events, expressed as a logarithm to base 10.   |
| Q16 | natural unit of information<br>Logarithmic unit for information equal to the content of decision of a sentence of ,718 281 828 459 mutually exclusive events, expressed as a logarithm to base Euler value e.   |
| Q17 | shannon per second<br>Time related logarithmic unit for information equal to the content of decision of a sentence of two mutually exclusive events, expressed as a logarithm to base 2.  |
| Q18 | hartley per second<br>Time related logarithmic unit for information equal to the content of decision of a sentence of ten mutually exclusive events, expressed as a logarithm to base 10.   |
| Q19 | natural unit of information per second<br>Time related logarithmic unit for information equal to the content of decision of a sentence of 2,718 281 828 459 mutually exclusive events, expressed as a logarithm to base of the Euler value e.   |
| Q20 | second per kilogramm<br>Unit of the Einstein transition probability for spontaneous or inducing emissions and absorption according to ISO 80000-7:2008, expressed as SI base unit second divided by the SI base unit kilogram.  |
| Q21 | watt square metre<br>Unit of the first radiation constants $c_1 = 2 \cdot p \cdot h \cdot c_0$ to the power of 2, the value of which is 3,741 771 18·10 <sup>16</sup> -fold that of the comparative value of the product of the derived SI unit watt multiplied with the power of the SI base unit metre with the exponent 2. |
| Q22 | second per radian cubic metre<br>Unit of the density of states as an expression of angular frequency as complement of the product of hertz and radian and the power of SI base unit metre by exponent 3 .   |
| Q23 | weber to the power minus one<br>Complement of the derived SI unit weber as unit of the Josephson constant, which value is equal to the 384 597,891-fold of the reference value gigahertz divided by volt.   |
| Q24 | reciprocal inch<br>Complement of the unit inch according to the Anglo-American and Imperial system of units.  |
| Q25 | dioptre<br>Unit used at the statement of relative refractive indexes of optical systems as complement of the focal length with correspondence to: 1 dpt = 1/m.  |

**Used Codes**

|     |  |
|-----|--|
| Q26 | one per one<br>Value of the quotient from two physical units of the same kind as a numerator and denominator whereas the units are shortened mutually.                     |
| Q27 | newton metre per metre<br>Unit for length-related rotational moment as product of the derived SI unit newton and the SI base unit metre divided by the SI base unit metre. |
| Q28 | kilogram per square metre pascal second<br>Unit for the ability of a material to allow the transition of steam.  |
| Q29 | microgram per hectogram<br>Microgram per hectogram.  |
| Q3  | meal<br>A unit of count defining the number of meals (meal: an amount of food to be eaten on a single occasion).   |
| Q30 | pH (potential of Hydrogen)<br>The activity of the (solvated) hydrogen ion (a logarithmic measure used to state the acidity or alkalinity of a chemical solution).          |
| Q31 | kilojoule per gram   |
| Q32 | femtolitre   |
| Q33 | picolitre  |
| Q34 | nanolitre  |
| Q35 | megawatts per minute<br>A unit of power defining the total amount of bulk energy transferred or consumer per minute.   |
| Q36 | square metre per cubic metre<br>A unit of the amount of surface area per unit volume of an object or collection of objects.  |
| Q37 | Standard cubic metre per day<br>Standard cubic metre (temperature 15°C and pressure 1013.25 millibars ) per day  |
| Q38 | Standard cubic metre per hour<br>Standard cubic metre (temperature 15°C and pressure 1013.25 millibars ) per hour  |
| Q39 | Normalized cubic metre per day<br>Normalized cubic metre (temperature 0°C and pressure 1013.25 millibars ) per day   |
| Q40 | Normalized cubic metre per hour<br>Normalized cubic metre (temperature 0°C and pressure 1013.25 millibars ) per hour   |

**Used Codes**

|     |   |
|-----|---|
| Q41 | Joule per normalised cubic metre<br>Joule per normalised cubic metre (temperature 0°C and pressure 1013.25 millibars).  |
| Q42 | Joule per standard cubic metre<br>Joule per standard cubic metre (temperature 15°C and pressure 1013.25 millibars).   |
| QA  | page - facsimile<br>A unit of count defining the number of facsimile pages.   |
| QAN | quarter (of a year)<br>A unit of time defining the number of quarters (3 months).   |
| QB  | page - hardcopy<br>A unit of count defining the number of hardcopy pages (hardcopy page: a page rendered as printed or written output on paper, film, or other permanent medium). |
| QR  | quire<br>A unit of count for paper, expressed as the number of quires (quire: a number of paper sheets, typically 25).  |
| QT  | quart (US)<br>Use liquid quart (common code QTL)  |
| QTD | dry quart (US)  |
| QTI | quart (UK)  |
| QTL | liquid quart (US)   |
| QTR | quarter (UK)<br>A traditional unit of weight equal to 1/4 hundredweight. In the United Kingdom, one quarter equals 28 pounds.   |
| R1  | pica<br>A unit of count defining the number of picas. (pica: typographical length equal to 12 points or 4.22 mm (approx.)).   |
| R9  | thousand cubic metre<br>A unit of volume equal to one thousand cubic metres.  |
| RH  | running or operating hour<br>A unit of time defining the number of hours of operation.  |
| RM  | ream<br>A unit of count for paper, expressed as the number of reams (ream: a large quantity of paper sheets, typically 500).  |
| ROM | room<br>A unit of count defining the number of rooms.   |

**Used Codes**

|     |  |
|-----|--|
| RP  | pound per ream<br>A unit of mass for paper, expressed as pounds per ream. (ream: a large quantity of paper, typically 500 sheets).   |
| RPM | revolutions per minute<br>Refer ISO/TC12 SI Guide  |
| RPS | revolutions per second<br>Refer ISO/TC12 SI Guide  |
| RT  | revenue ton mile<br>A unit of information typically used for billing purposes, expressed as the number of revenue tons (revenue ton: either a metric ton or a cubic metres, whichever is the larger), moved over a distance of one mile. |
| S3  | square foot per second<br>Synonym: foot squared per second   |
| S4  | square metre per second<br>Synonym: metre squared per second (square metres/second US)   |
| SAN | half year (6 months)<br>'A unit of time defining the number of half years (6 months).  |
| SCO | score<br>A unit of count defining the number of units in multiples of 20.  |
| SCR | scruple  |
| SEC | second [unit of time]  |
| SET | set<br>A unit of count defining the number of sets (set: a number of objects grouped together).  |
| SG  | segment<br>A unit of information equal to 64000 bytes.   |
| SHT | shipping ton<br>A unit of mass defining the number of tons for shipping.   |
| SIE | siemens  |
| SM3 | Standard cubic metre<br>Standard cubic metre (temperature 15°C and pressure 1013.25 millibars )  |
| SMI | mile (statute mile)  |
| SQ  | square<br>A unit of count defining the number of squares (square: rectangular shape).  |
| SQR | square, roofing<br>A unit of count defining the number of squares of roofing materials, measured in multiples of 100 square feet.  |

**Used Codes**

|     |   |
|-----|---|
| SR  | strip<br>A unit of count defining the number of strips (strip: long narrow piece of an object).   |
| STC | stick<br>A unit of count defining the number of sticks (stick: slender and often cylindrical piece of a substance).   |
| STI | stone (UK)  |
| STK | stick, cigarette<br>A unit of count defining the number of cigarettes in the smallest unit for stock-taking and/or duty computation.  |
| STL | standard litre<br>A unit of volume defining the number of litres of a product at a temperature of 15 degrees Celsius, especially in relation to hydrocarbon oils.   |
| STN | ton (US) or short ton (UK/US)<br>Synonym: net ton (2000 lb)   |
| STW | straw<br>A unit of count defining the number of straws (straw: a slender tube used for sucking up liquids).   |
| SW  | skein<br>A unit of count defining the number of skeins (skein: a loosely-coiled bundle of yarn or thread).  |
| SX  | shipment<br>A unit of count defining the number of shipments (shipment: an amount of goods shipped or transported).   |
| SYR | syringe<br>A unit of count defining the number of syringes (syringe: a small device for pumping, spraying and/or injecting liquids through a small aperture).   |
| T0  | telecommunication line in service<br>A unit of count defining the number of lines in service.   |
| T3  | thousand piece<br>A unit of count defining the number of pieces in multiples of 1000 (piece: a single item, article or exemplar).   |
| TAH | kiloampere hour (thousand ampere hour)  |
| TAN | total acid number<br>A unit of chemistry defining the amount of potassium hydroxide (KOH) in milligrams that is needed to neutralize the acids in one gram of oil. It is an important quality measurement of crude oil. |
| TI  | thousand square inch  |

**Used Codes**

|     |   |
|-----|---|
| TIC | metric ton, including container<br>A unit of mass defining the number of metric tons of a product, including its container.   |
| TIP | metric ton, including inner packaging<br>A unit of mass defining the number of metric tons of a product, including its inner packaging materials.                     |
| TKM | tonne kilometre<br>A unit of information typically used for billing purposes, expressed as the number of tonnes (metric tons) moved over a distance of one kilometre. |
| TMS | kilogram of imported meat, less offal<br>A unit of mass equal to one thousand grams of imported meat, disregarding less valuable by-products such as the entrails.    |
| TNE | tonne (metric ton)<br>Synonym: metric ton   |
| TP  | ten pack<br>A unit of count defining the number of items in multiples of 10.  |
| TPI | teeth per inch<br>The number of teeth per inch.   |
| TPR | ten pair<br>A unit of count defining the number of pairs in multiples of 10 (pair: item described by two's).  |
| TQD | thousand cubic metre per day<br>A unit of volume equal to one thousand cubic metres per day.  |
| TRL | trillion (EUR)  |
| TST | ten set<br>A unit of count defining the number of sets in multiples of 10 (set: a number of objects grouped together).  |
| TTS | ten thousand sticks<br>A unit of count defining the number of sticks in multiples of 10000 (stick: slender and often cylindrical piece of a substance).               |
| U1  | treatment<br>A unit of count defining the number of treatments (treatment: subjection to the action of a chemical, physical or biological agent).                     |
| U2  | tablet<br>A unit of count defining the number of tablets (tablet: a small flat or compressed solid object).   |
| UA  | torr  |
| UB  | telecommunication line in service average<br>A unit of count defining the average number of lines in service.   |

**Used Codes**

|     |   |
|-----|---|
| UC  | telecommunication port<br>A unit of count defining the number of network access ports.                                |
| UIG | international unit per gram<br>A unit of count defining the number of international units per gram.                   |
| VA  | volt - ampere per kilogram  |
| VLT | volt  |
| VP  | percent volume<br>A measure of concentration, typically expressed as the percentage volume of a solute in a solution. |
| W2  | wet kilo<br>A unit of mass defining the number of kilograms of a product, including the water content of the product. |
| WA  | watt per kilogram   |
| WB  | wet pound<br>A unit of mass defining the number of pounds of a material, including the water content of the material. |
| WCD | cord<br>A unit of volume used for measuring lumber. One board foot equals 1/12 of a cubic foot.                       |
| WE  | wet ton<br>A unit of mass defining the number of tons of a material, including the water content of the material.     |
| WEB | weber   |
| WEE | week  |
| WG  | wine gallon<br>A unit of volume equal to 231 cubic inches.  |
| WHR | watt hour   |
| WM  | working month<br>A unit of time defining the number of working months.  |
| WSD | standard<br>A unit of volume of finished lumber equal to 165 cubic feet.<br>Synonym: standard cubic foot              |
| WTT | watt  |
| WW  | millilitre of water<br>A unit of volume equal to the number of millilitres of water.                                  |
| X1  | Gunter's chain<br>A unit of distance used or formerly used by British surveyors.                                      |
| YDK | square yard   |

**Used Codes**

|     |  |
|-----|--|
| YDQ | cubic yard   |
| YRD | yard   |
| Z11 | hanging container<br>A unit of count defining the number of hanging containers.  |
| Z9  | nanomole<br>An SI unit of amount of substance equal to 10 <sup>-9</sup> moles  |
| ZP  | page<br>A unit of count defining the number of pages.  |
| ZZ  | mutually defined<br>A unit of measure as agreed in common between two or more parties.   |
| 001 | Barrel (205 litres, 45 gallons) (GS1 Temporary Code)<br>A unit of liquids equivalent to 205 litres or 45 gallons.  |
| 23  | gram per cubic centimetre<br>GS1 Description:<br>g/cm <sup>3</sup> as a unit of measure for the density of gas. This is necessary for dangerous substance articles for determination of the quantities that can be stored together on the shelf. |
| 25  | gram per square centimetre<br>GS1 Description:<br>A measure of weight in terms of gram per square centimetre.  |
| 28  | kilogram per square metre<br>GS1 Description:<br>Unit of measure expressed in kilogram per square metre.   |
| 37  | ounce per square foot  |
| 59  | part per million   |
| 64  | Pound per square inch, gauge<br>A unit of measure expressed in pound per square inch   |
| 2N  | decibel  |
| 2X  | metre per minute<br>GS1 Description:<br>A measure of speed in terms of metres per minute.  |
| 4K  | milliampere  |
| 4L  | megabyte<br>GS1 Description:<br>A unit of computer memory equal to 1.048.576 (i.e. 2 power 20) bytes.  |
| 40  | microfarad<br>GS1 Description:<br>One millionth of a farad. A farad is the capacitance of a capacitor between the plates of which a potential of 1 volt is created by a charge of 1 Coulomb.   |
| 4P  | newton per metre   |



**Used Codes**

|     |   |
|-----|---|
| A25 | cheval vapeur   |
| A86 | gigahertz<br>GS1 Description:<br>Hertz multiplied by 10*9.                                      |
| A99 | Bit<br>A unit of information equal to one binary digit.   |
| ACR | acre<br>GS1 Description:<br>Acre (4840 yd2)   |
| AD  | byte<br>GS1 Description:<br>A unit of information stored in a computer, equal to eight bits.    |
| AMH | ampere hour<br>GS1 Description:<br>Ampere-hour (3,6kC)  |
| AMP | ampere  |
| AMT | amount  |
| ANN | year<br>GS1 Description:<br>The expression of a year as a measure unit.                         |
| APZ | Troy ounce or apothecary ounce<br>EDIFACT   |
| ASM | alcoholic strength by mass<br>GS1 Description:<br>Alcoholic strength expressed by mass.         |
| ASU | alcoholic strength by volume<br>GS1 Description:<br>Alcoholic strength expressed by volume.     |
| AV  | capsule<br>GS1 Description:<br>Encapsuled dosage form for pharmaceuticals.                      |
| B13 | Joule per square metre<br>A unit of measure of heat energy expressed in joule per square metre. |
| B17 | Credit<br>A unit of count defining the number of entries made to the credit side of an account. |
| BAR | bar<br>GS1 Description:<br>A unit of measure equal to 106 dines per square centimeter.          |
| BTU | British thermal unit<br>GS1 Description:<br>British thermal unit (1,055 kilojoules)             |

**Used Codes**

|     |  |
|-----|--|
| C0  | call<br>GS1 Description:<br>Unit of measure for telephone calls. Code value is C0 (C Zero).  |
| C60 | ohm centimetre<br>GS1 Description:<br>Unit of measure expressed in Ohm centimetre.   |
| C79 | Kilovolt Ampere Hour<br>A unit of accumulated energy of 1000 volt amperes over a period of one hour.<br>EDIFACT  |
| CDL | candela<br>GS1 Description:<br>Unit of measure of light intensity.   |
| CEL | degree celsius   |
| CF2 | Colony forming unit per gram (GS1 Temporary Code)<br>Colony forming units per gram is a unit of measure for micro-organisms, such as bacteria, in a food item. Micro-organisms form colonies that are be counted under determined conditions |
| CLT | centilitre<br>GS1 Description:<br>A unit of volume equal to one hundredth of a liter.  |
| CMK | square centimetre  |
| CMQ | cubic centimetre<br>GS1 Description:<br>A system of units for the measurement of volume based on the cubic centimetre.   |
| CMT | centimetre   |
| D19 | Square metre kelvin per watt<br>Unit of measure of thermal insulance expressed in square metre kelvin per watt.  |
| D21 | square metre per kilogram<br>GS1 Description:<br>Unit of measure expressed in square metre per kilogram.   |
| D32 | Terawatt hour<br>A unit of measure expressed in terawatt hour  |
| D5  | Kilogram per square centimetre<br>A unit of measure expressed in kilogram per square centimetre  |
| D55 | Watt per square metre kelvin<br>Unit of measure of thermal conductance expressed in watt per square metre kelvin.  |
| D68 | Number of Words<br>A unit of count defining the number of words.<br>EDIFACT  |

**Used Codes**

|     |  |
|-----|--|
| DAY | day<br>GS1 Description:<br>The expression of a day as a measure unit.  |
| DD  | degree<br>GS1 Description:<br>Unit of measure of temperature.  |
| DMQ | cubic decimetre<br>GS1 Description:<br>Unit of measure expressed in cubic decimetre.   |
| DMT | decimetre  |
| DRG | Dragée (GS1 Temporary Code)<br>Number of dragées (coated tablets) contained in the item's package as a measurement unit.                                 |
| DZN | dozen<br>GS1 Description:<br>A unit of measure of 12 or group of 12.   |
| E09 | Milliampere hour<br>A unit of power load delivered at the rate of one thousandth of an ampere over a period of one hour.<br>EDIFACT                      |
| E10 | Degree day<br>A unit of measure used in meteorology and engineering to measure the demand for heating or cooling over a given period of days.<br>EDIFACT |
| E11 | Gigacalorie<br>A unit of heat energy equal to one thousand million calories.<br>EDIFACT  |
| E27 | Dose<br>A unit of count defining the number of doses (dose: a definite quantity of a medicine or drug).<br>EDIFACT                                       |
| E31 | Square metre per litre<br>A unit of count defining the number of square metres per litre.<br>EDIFACT   |
| E32 | Litre per hour<br>A unit of count defining the number of litres per hour.<br>EDIFACT   |
| E34 | Gigabyte<br>A unit of information equal to 10 E9 bytes.  |
| E37 | Pixel<br>A unit of count defining the number of pixels (pixel: picture element).   |

**Used Codes**

|     |  |
|-----|--|
| E38 | Megapixel<br>A unit of count equal to 10 E6 (1000000) pixels (picture elements).   |
| E39 | Dots per inch<br>A unit of information defining the number of dots per linear inch as a measure of the resolution or sharpness of an image.<br>GS1 Description:<br>synonym: pixels per inch. |
| EA  | each   |
| EV  | envelope<br>GS1 Description:<br>A unit of measure pertaining to the number of envelopes.   |
| FAH | degree Fahrenheit  |
| FOT | foot<br>GS1 Description:<br>Foot (0,3048 m)  |
| FP  | Pound per square foot<br>A unit of measure expressed in pound per square foot  |
| FTK | Square foot<br>A unit of measure expressed in square foot  |
| FTQ | cubic foot   |
| GL  | gram per litre   |
| GLI | gallon (UK)<br>GS1 Description:<br>Gallon (4,546092 dm <sup>3</sup> )  |
| GM  | gram per square metre<br>GS1 Description:<br>Unit of measure of grams per square metre.  |
| GRM | gram   |
| GRO | gross<br>GS1 Description:<br>A unit of measure of 12 dozens.   |
| GV  | gigajoule  |
| GWH | gigawatt hour<br>GS1 Description:<br>Gigawatt-hour (1 million kW/h)  |
| H87 | Piece<br>A unit of count defining the number of pieces (piece: a single item, article or exemplar).<br>EDIFACT   |
| HLT | hectolitre   |

**Used Codes**

|     |   |
|-----|---|
| HMT | hectometre<br>A unit of linear measure equal to 10 E2 metres.   |
| HTZ | hertz<br>GS1 Description:<br>One cycle per second.  |
| HUR | hour  |
| INH | inch<br>GS1 Description:<br>Inch (25,4 mm)  |
| INK | Square inch<br>A unit of measure expressed in square inch   |
| JM  | Megajoule per cubic metre<br>EDIFACT  |
| JOU | joule   |
| K51 | Kilocalorie (mean)<br>EDIFACT   |
| KB  | kilocharacter   |
| KBA | kilobar   |
| KEL | kelvin  |
| KGM | kilogram  |
| KHZ | kilohertz   |
| KJO | kilojoule   |
| KL  | kilogram per metre<br>GS1 Description:<br>A measure of weight in terms of kilogram per metre.             |
| KMH | kilometre per hour<br>GS1 Description:<br>A unit of measure expressed in kilometre per hour.              |
| KMQ | kilogram per cubic metre<br>GS1 Description:<br>A measure of weight in terms of kilogram per cubic metre. |
| KMT | kilometre   |
| KPA | kilopascal<br>GS1 Description:<br>Unit of measure expressed in kilopascal.                                |
| KVA | kilovolt - ampere<br>GS1 Description:<br>A unit of electric power.  |
| KVT | kilovolt  |
| KWH | kilowatt hour   |

**Used Codes**

|     |  |
|-----|--|
| KWT | kilowatt   |
| L2  | litre per minute<br>GS1 Description:<br>Unit of measure expressed in litre per minute.   |
| LBR | Pound<br>EDIFACT   |
| LD  | Litre per day<br>A unit of measure defining the number of litres per day.  |
| LNE | Printed line count (GS1 Temporary Code)<br>The indication of the count of printed lines included on a paper communication (e.g. telegram) for invoicing purposes.                            |
| LTR | litre<br>GS1 Description:<br>Litre (1 dm <sup>3</sup> )  |
| LUX | lux<br>GS1 Description:<br>Unit of measure of illumination (it corresponds to the illumination of a surface which normally and uniformly receives a light flow of 1 lumen per square meter). |
| M4  | Monetary value<br>A unit of measure expressed as a monetary amount.<br>EDIFACT   |
| MAL | mega litre   |
| MAW | megawatt   |
| MC  | microgram<br>One millionth of a gram.  |
| MCU | millicurie<br>GS1 Description:<br>Unit of measure for radioactivity.   |
| MGM | milligram  |
| MHZ | megahertz  |
| MIN | minute   |
| MLT | millilitre   |
| MMK | square millimetre<br>GS1 Description:<br>A unit to measure a surface equal to one millionth of a quadrate.   |
| MMQ | cubic millimetre<br>GS1 Description:<br>A unit of measure expressed in cubic milimetres.   |
| MMT | millimetre   |

**Used Codes**

|     |  |
|-----|--|
| MON | month<br>GS1 Description:<br>The expression of a month as a measure unit.  |
| MPA | megapascal<br>GS1 Description:<br>A unit of measure expressed in Megapascal.   |
| MQH | Cubic metre per hour<br>A unit of measure defining the number of cubic metres per hour.  |
| MTK | square metre   |
| MTQ | cubic metre  |
| MTR | metre  |
| MTS | Metre per second<br>A unit of speed expressed in metres per second.  |
| MWH | megawatt hour (1000 kW.h)  |
| NAR | number of articles   |
| NEW | newton<br>GS1 Description:<br>The SI unit of force, equal to the force that would give a mass of one kilogram an acceleration of one metre per second.               |
| NIU | number of international units<br>A unit of count defining the number of international units.   |
| NRL | number of rolls  |
| ONZ | ounce<br>GS1 Description:<br>Ounce GB, US (28,349523 g)  |
| OZA | fluid ounce (US)<br>GS1 Description:<br>Fluid ounce US (29,5735 cm <sup>3</sup> )  |
| OZI | fluid ounce (UK)<br>GS1 Description:<br>Fluid ounce UK (28,413 cm <sup>3</sup> )   |
| P1  | percent<br>GS1 Description:<br>This code is used to indicate measurements in terms of percentages, e.g. the relative humidity (code RA in data element 6313) is 52%. |
| PA  | packet   |
| PAL | pascal<br>GS1 Description:<br>The SI unit of pressure, equal to one Newton per square metre.   |
| PCE | Piece (GS1 Temporary Code)<br>GS1 Note: Old code value. Use value H87 instead.   |

**Used Codes**

|     |   |
|-----|---|
| PF  | pallet (lift)<br>GS1 Description:<br>A number of articles expressed in terms of pallets.  |
| PR  | pair<br>GS1 Description:<br>Two articles which belong together but are not necessarily identical.   |
| PTI | pint (UK)<br>GS1 Description:<br>Pint UK (0,568262 dm3)   |
| PTN | Portion (GS1 Temporary Code)<br>The identification of the number of portions (doses in medical terms) into which a complete product may be broken into for serving purposes, e.g. a pie with 6 portions, a liquid medicine with 20 doses. |
| QAN | quarter (of a year)   |
| QTI | quart (UK)<br>GS1 Description:<br>Quart UK (1,1136523 dm3)  |
| RJH | Decanewton (GS1 Temporary Code)<br>A unit of force equal to 10 Newton.  |
| RPM | revolutions per minute  |
| RTO | Ratio (GS1 Temporary Code)<br>The measured value is a ratio.  |
| SEC | second  |
| SMI | Mile (statute mile)<br>A unit of measure expressed in mile  |
| ST  | sheet   |
| TNE | tonne (metric ton)<br>GS1 Description:<br>Metric ton (1000kg)   |
| U2  | tablet<br>A unit of count defining the number of tablets (tablet: a small flat or compressed solid object).<br>GS1 Description:<br>Dosage form for pharmaceuticals, pressed or compacted from a powder into a solid dose.                 |
| UI  | Unit of activity, predefined (GS1 Temporary Code)<br>A measure pertaining to a predefined activity.   |
| VI  | vial<br>GS1 Description:<br>Small glass container. E.g. for a liquid medicine or perfume.   |
| VLT | volt  |



**Used Codes**

|             |  |
|-------------|--|
| WHR         | watt hour  |
| WTT         | watt   |
| YDK         | Square yard<br>A unit of measure expressed in square yard  |
| YRD         | yard<br>GS1 Description:<br>Yard (0,9144 m)  |
| ZP          | page<br>GS1 Description:<br>The indication of a page as a measurement unit for invoicing purposes, e.g. fax pages.                                   |
| <b>7083</b> | Configuration operation code<br>Code specifying the configuration operation.   |
| A           | Added to the configuration<br>The operation is to add to the configuration.  |
| D           | Deleted from the configuration<br>The operation is to delete from the configuration.   |
| I           | Included in the configuration<br>The item is a part of the configuration.  |
| <b>7365</b> | Processing indicator description code<br>Code specifying a processing indicator.   |
| 1           | Message content accepted<br>Content of message is accepted.  |
| 10          | Declaration requested<br>Declaration is requested.   |
| 33          | Transaction rejected<br>This transaction is rejected by the recipient application and is a single transaction within a multiple transaction message. |
| 36          | Changed information<br>Processing of information to note that only changes to existing data are transmitted.   |
| 37          | Complete information<br>Processing of information to note that complete data details (not just changes) are transmitted.                             |
| 45          | Beneficiary's account number unknown<br>The account number of the beneficiary is unknown.  |
| 46          | Payee's account number unknown<br>The account number of the payee is unknown.  |

**Used Codes**

|    |  |
|----|--|
| 47 | Payor' account number unknown<br>The account number of the payor is unknown.   |
| 48 | Correspondent bank not possible<br>The correspondent bank is not a possible one.   |
| 49 | Execution date not possible<br>The execution date cannot be met.   |
| 50 | Value date not possible<br>The value date cannot be met.   |
| 51 | Currency code not possible<br>The currency code does not exist.  |
| 53 | Orders executed (on)<br>Confirmation that the orders have been executed.   |
| 54 | Transaction(s) effected and advised (on)<br>Confirmation that the transaction(s) has(ve) been effected and advised.  |
| 55 | Not yet debited<br>The amount(s) has(ve) not yet been debited.   |
| 76 | Monetary amount incorrect<br>The monetary amount specified is incorrect.<br>GS1 Description:<br>Code indicating the fact that the amount stated in a previous message is unknown.  |
| 77 | Payments sent correctly<br>Confirmation that the payments have been sent correctly.  |
| 78 | Beneficiary has not received the funds<br>The beneficiary has not received the funds as specified.<br>GS1 Description:<br>Code indicating the fact that the beneficiary identified in a previous message has not received the funds. |
| 81 | Confirmation of authorization<br>The authorization is confirmed.   |
| 82 | Beneficiary's account closed<br>The account of the beneficiary is closed.<br>GS1 Description:<br>A code indicating the fact that the account of a beneficiary stated in a previous message is closed.                                |
| 83 | Transaction execution pending<br>The transaction is awaiting execution.<br>GS1 Description:<br>Code indicating the fact that a transaction is pending.   |

## Used Codes

---

|     |   |
|-----|---|
| 85  | <p>Party identification not known<br/>The identification of the party is unknown.</p> <p>GS1 Description:<br/>Code indicating the fact that the party identification sent in a previous message is unknown.</p>   |
| 86  | <p>Beneficiary unknown<br/>The beneficiary indicated is unknown.</p> <p>GS1 Description:<br/>Code indicating the fact that the beneficiary stated in a previous message is unknown.</p>   |
| 87  | <p>Beneficiary's bank unknown<br/>The indicated beneficiary's bank is unknown.</p> <p>GS1 Description:<br/>Code indicating the fact that the beneficiary's bank stated in a previous message is unknown.</p>  |
| 94  | <p>Delivery point driven scheduling method<br/>Scheduling method used when for a given delivery point a number of different products are to be delivered.</p>   |
| 95  | <p>Product driven scheduling method<br/>Scheduling method used when a given product is to be delivered to a number of different delivery points.</p>  |
| 97  | <p>Beneficiary has received funds<br/>The beneficiary has received the funds.</p>   |
| 112 | <p>Bank branch number and/or details invalid<br/>The bank branch number and/or details are not valid.</p> <p>GS1 Description:<br/>The branch number/details provided by the ordering customer are incorrect.</p>  |
| 113 | <p>Message from ordering customer did not contain all data required<br/>The message received from the ordering customer did not contain all the required data.</p> <p>GS1 Description:<br/>The message received from the ordering customer did not contain all information which was required by the ordered bank to process the instruction.</p> |
| 114 | <p>Date of cheque invalid<br/>The date provided on a cheque is invalid.</p>   |
| 115 | <p>Totals for transaction do not match details<br/>Figures for the total transaction do not match those provided for the individual lines of the transaction.</p>   |
| 116 | <p>Transaction different to normal<br/>A transaction whose details do not conform to the average details normally contained in the transaction.</p>   |

**Used Codes**

|     |   |
|-----|---|
| 117 | <p>Method of payment invalid<br/>The method of payment is not valid.</p> <p>GS1 Description:<br/>The method of payment indicated by the ordering customer is not valid for the beneficiary.</p>   |
| 118 | <p>Ordering customer's payment order number invalid<br/>The payment order number issued by the ordering customer is invalid.</p> <p>GS1 Description:<br/>The payment order number issued by the ordering customer is invalid (e.g. no value, or duplicates a value already issued).</p>   |
| 119 | <p>Ordering customer's message control value invalid<br/>The control value provided by the ordering customer in the control totals segment is invalid.</p> <p>GS1 Description:<br/>The message control value provided by the ordering customer in the CNT segment is invalid (i.e. the CNT value does not confirm with the sum of the details).</p>                                 |
| 120 | <p>Ordering customer's message control quantity invalid<br/>The control quantity provided by the ordering customer in the control totals segment is invalid.</p> <p>GS1 Description:<br/>The message control transaction quantity provided by the ordering customer in the CNT segment is invalid (i.e. the CNT transaction quantity does not confirm with the sum of details).</p> |
| 121 | <p>Beneficiary's account frozen by legal authorities<br/>The beneficiary's account has been frozen by legal authorities.</p>  |
| 122 | <p>Invalid cancellation request because transaction already executed<br/>The request to cancel a transaction is invalid because the transaction has already been executed.</p>  |
| 123 | <p>Account holder specified by ordering customer is deceased<br/>The account holder detailed by the ordering customer is deceased.</p>  |
| 124 | <p>Ordering customer's instruction is a duplicate<br/>The ordering customer's instruction duplicates an instruction.</p> <p>GS1 Description:<br/>An instruction from an ordering customer is a duplicate of a previous instruction already processed.</p>   |
| XD6 | <p>Financial information incorrect (SWIFT Code)<br/>Code indicating the fact that the financial information stated in a previous message is unknown.</p>  |
| XE1 | <p>Other dates not correct (SWIFT Code)<br/>Code indicating the fact that other dates stated in a previous message is unknown.</p>  |

**Used Codes**

---

|     |   |
|-----|---|
| YE7 | Beneficiary has received the funds (SWIFT Code)<br>Code indicating the fact that the beneficiary identified in a previous message has received the funds. |
| YF3 | Financial information incorrect (SWIFT Code)<br>Financial information contained in a previous message is incorrect.                                       |
| YF4 | Currency segment contents not correct (SWIFT Code)<br>Information contained in the currency segment of a previous message is incorrect.                   |
| ZZZ | Mutually defined<br>Mutually defined indicator.   |

## Example

---

UNA:+.?'

UNA:+.?'

---

UNB+UNOA:3+4012345000009:14:1+4000004000002:14:4000004000099+021013:1043  
+12345555+REF:AA++A+1+EANCOM-DISI+1'

UNB+UNOA:3+5412345678908:14+8798765432106:14+020102:  
1000+12345555++++EANCOMREF 52'

---

UNH+X+BANSTA:D:01B:UN:EAN003'

UNH+1+BANSTA:D:01B:UN:EAN003'

---

BGM+46+X+9'

BGM+46+85512+9'

---

DTM+137:X:2'

DTM+137:20021008:102'

---

FII+MS++BK:25:5:X:23:2:X:X+AD'

FII+MS++KREDBEBB:25:5:37010050'

---

NAD+MR+1234567890123::9+X:::X+X:X:X:X:X:1+X:X:X:X+X+X:23:2:X+X+AD'

NAD+MR+5412345000020::9'

---

LIN+9+++1+9+A'

LIN+1'

---

RFF+AEK:X'

RFF+AEK:14'

RFF+AEK:2'

RFF+CR:3'

---

DTM+171:X:2'

DTM+171:20020804:102'

---

SEQ+1+X'

SEQ+55+1'

---

GIS+1::17'

GIS+49'

---

DTM+140:X:2'

DTM+203:20020318:102'

---

MOA+9:9:EUR'

MOA+119:65300:EUR'

---

CUX+2:EUR::9+3:EUR::9+9'

CUX+2:EUR+3:USD+0.90243'

---

FTX+PMD+1+78E:23:2+X:X:X:X:X+AA'

FTX+PMD++001::ZZZ'

---

FII+BF+X:X:X:EUR+BK:23:2:X:23:2:X:X+AD'

FII+OR+24680123:PKG LTD:BRUSSELS+KREDBEBB:25:5'

---

NAD+BE+1234567890123::9+X:::X+X:X:X:X:X:1+X:X:X:X+X+X:23:2:X+X+AD'

NAD+BE+5412345000020::9'

---

CNT+1:9:58'

CNT+2:14'

---

AUT+X+X'

AUT+77322'

---

BANSTA (EAN003) S3

## Example

---

DTM+218:X:2'

DTM+218:200205231600:203'

---

UNT+20+X'

UNT+20+1'

---

UNZ+1+12345555'

UNZ+5+12345555'

---